

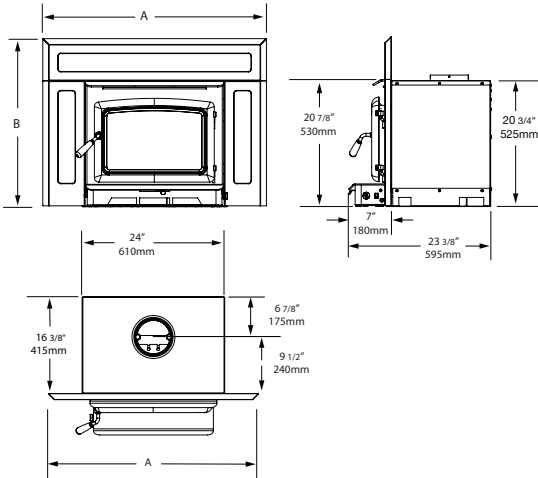


# VISTA INSERT LE

FOR SMALL TO MEDIUM SPACES



## UNIT DIMENSIONS



## SURROUND SIZE

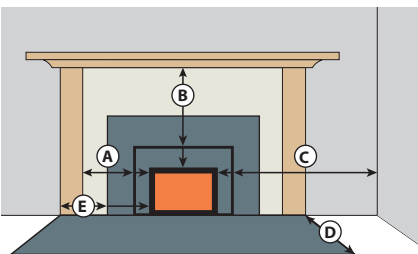
	Standard	Oversize
A (width)	37"	42"
B (height)	28"	30"

## TECHNICAL DATA

### 23,200 BTU EPA Test Fuel

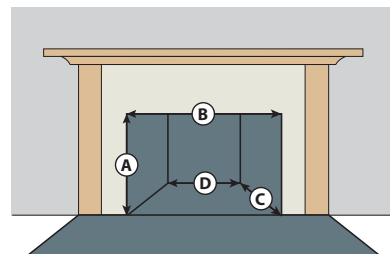
Efficiency (HHV)	72%
Emissions	1.9 gm/hr.
Log Size (recommended)	16 in.
Log Size (max)	17 in.
Firebox Size	1.6 c.ft.
Glass Viewing Area	152 sq.in.
Weight	280 lbs

## CLEARANCES TO COMBUSTIBLES



A	9 1/2"
B	13"
C	13"
D (Canada)	18"
D (USA)	16"
E	8"

## MINIMUM FIREPLACE OPENING



A	21"
B	24 1/2"
C	17"
D	24 1/2"