

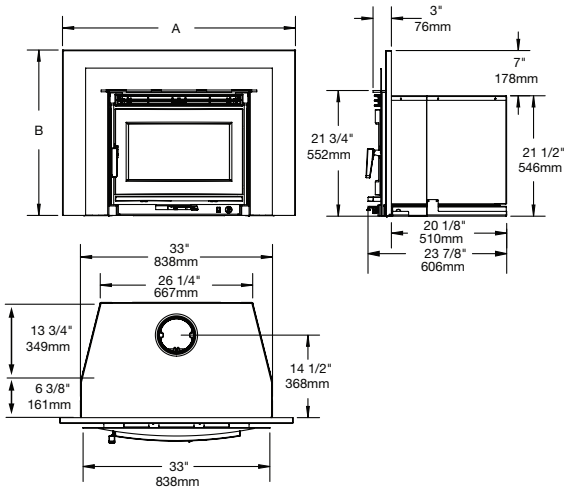


NEO 2.5 INSERT LE

FOR MEDIUM TO LARGE SPACES



UNIT DIMENSIONS



SURROUND SIZE

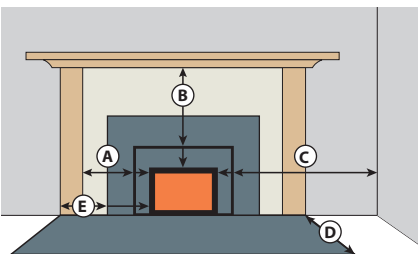
	Standard	Oversize
A (width)	40"	48"
B (height)	28 1/2"	32"

TECHNICAL DATA

60,000 BTU EPA Test Fuel

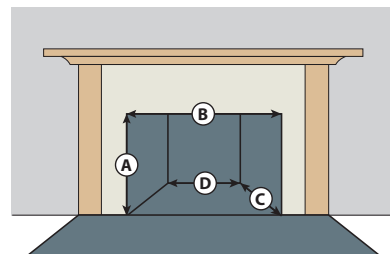
Efficiency (HHV)	72%
Emissions	2.0 gm/hr.*
Log Size (recommended)	16 in.
Log Size (max)	18 in.
Firebox Size	2.5 cu.ft.
Glass Viewing Area	166 sq.in.
Weight	420 lbs.

CLEARANCES TO COMBUSTIBLES



A	11 1/2"
B	16"
C	15"
D (Canada)	18"
D (USA)	16"
E	8"

MINIMUM FIREPLACE OPENING



A	22"
B	34"
C	20"
D	26 1/2"