



**INSTALLATION and OPERATING INSTRUCTIONS**

**INSTALLER:** Leave this manual with the appliance.  
**CONSUMER:** Retain this manual for future reference.

**WARNING:** If the information in these instructions is not followed exactly a fire or explosion may result causing property damage, personal injury or death.

**▲ WARNING:  
 FIRE OR EXPLOSION HAZARD**

Failure to follow safety warnings exactly could result in serious injury, death, or property damage.

Do not store or use gasoline or other flammable vapors and liquids in the vicinity of this or any other appliance.

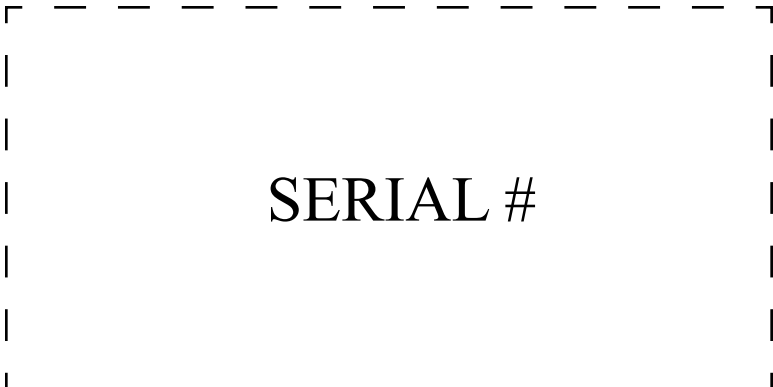
**WHAT TO DO IF YOU SMELL GAS**

- Do not try to light any appliance.
- Do not touch any electrical Switch; do not use any phone in your building.
- Leave the building immediately.
- Immediately call your gas supplier from a neighbor's phone. Follow the gas supplier's instructions.
- If you cannot reach your gas supplier, call the fire department.

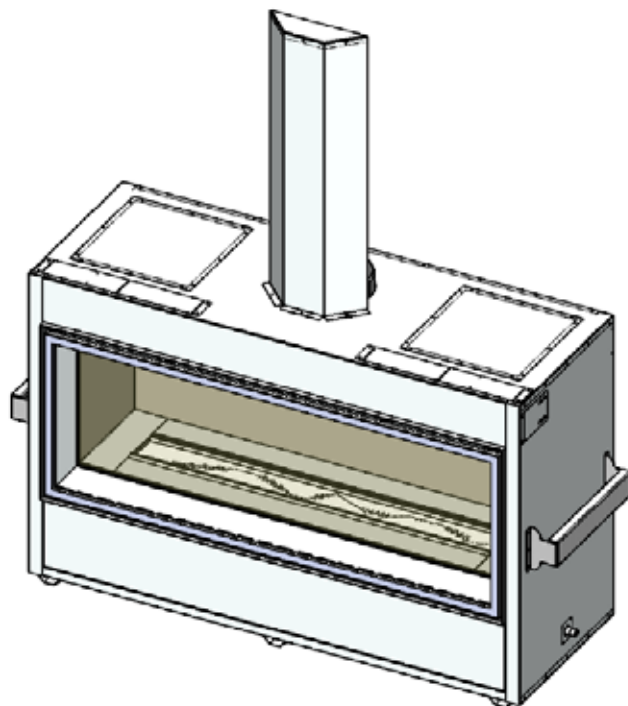
Installation and service must be performed by a qualified installer, service agency or the gas supplier.

This appliance may be installed in an aftermarket permanently located, manufactured home (USA only) or mobile home, where not prohibited by local codes

This appliance is only for use with the type of gas indicated on the rating plate. This appliance is not convertible for use with other gases unless a certified kit is used.



SERIAL #



**Model: ESPRIT L44**

**Series: A**

**ZERO CLEARANCE DIRECT VENTED GAS FIREPLACE HEATER**

**This appliance is suitable for installation in a bedroom or bed sitting room.**



# Table of Contents

|   |    |   |    |
|---|----|---|----|
| Caution .....                           | 4  | Horizontal Wall Termination .....         | 26 |
| First Fire .....                        | 4  | Vertical Roof Termination.....            | 27 |
| Safety .....                            | 5  | Vent Terminal Minimum Clearances .....    | 28 |
| Lighting Instructions .....             | 6  | Vent Pipe Shield .....                    | 29 |
| Rating Label .....                      | 7  | Natural Gas Venting Chart .....           | 30 |
| Remote Control Operation .....          | 8  | Propane Venting Chart .....               | 31 |
| Installing Batteries .....              | 9  | Vent Restrictor .....                     | 32 |
| Pairing the Remote Control .....        | 10 | Flooring Requirements .....               | 33 |
| Remote Control Features .....           | 11 | Propane Conversion.....                   | 34 |
| Pilot Type Selection .....              | 14 | Gas Supply .....                          | 36 |
| Changing the Batteries .....            | 15 | Electrical Connection.....                | 38 |
| Maintenance .....                       | 16 | Safety Screen Assembly Removal .....      | 40 |
| Glass Door:.....                        | 16 | Glass Door Removal: .....                 | 41 |
| Annual Inspection: .....                | 16 | Gas Pressure Testing Procedure.....       | 42 |
| Periodically: .....                     | 17 | Media Tray Cover Plates Installation..... | 44 |
| Fireplace Specifications .....          | 18 | Glass Media Installation .....            | 45 |
| Manufactured (Mobile) Home.....         | 19 | Primary Air Adjustment .....              | 46 |
| Locating the Fireplace .....            | 19 | Optional Fan Kit.....                     | 48 |
| Minimum Clearances to Combustibles..... | 20 | Optional Light Kit .....                  | 55 |
| Top Standoffs .....                     | 21 | Wiring Diagram.....                       | 59 |
| Framing and Finishing.....              | 22 | Replacement Parts Diagram .....           | 60 |
| Venting.....                            | 24 | Replacement Parts.....                    | 61 |

Visit [www.pacificenergy.net](http://www.pacificenergy.net) for the most recent version of this manual



## Congratulations on your purchase of a Pacific Energy Gas Fireplace

Your fireplace has been professionally installed by:

Dealer name: \_\_\_\_\_

Phone Number: \_\_\_\_\_

If you discover any problems with your gas fireplace, please contact your dealer immediately to have the unit repaired.

Caution: Do not attempt to repair the fireplace yourself. Doing so may because you may cause injury to yourself or others, and risk causing damage to the unit.

Before operating your appliance carefully read this manual and pay close attention to all Safety Warnings.

This manual contains important information on the unit's safe operation and maintenance.

## Important Note for the Commonwealth of Massachusetts

From Massachusetts Rules and Regulations 248 CMR 5.08:

- (a) For all side wall horizontally vented gas fueled equipment installed in every dwelling, building or structure used in whole or in part for residential purposes, including those owned or operated by the Commonwealth and where the side wall exhaust vent termination is less than seven (7) feet above finished grade in the area of the venting, including but not limited to decks and porches, the following requirements shall be satisfied.
1. **INSTALLATION OF CARBON MONOXIDE DETECTORS.** At the time of installation of the side wall horizontal vented gas fueled equipment, the installing plumber or gas fitter shall observe that a hard wired carbon monoxide detector with an alarm and battery back-up is installed on the floor level where the gas equipment is to be installed, in addition, the installing plumber or gas fitter shall observe that a battery operated or hard-wired carbon monoxide detector with an alarm is installed on each additional level of the dwelling, building or structure served by the side wall horizontal vented gas fueled equipment. It shall be the responsibility of the property owner to secure the services of qualified licensed professionals for the installation of hard-wired carbon monoxide detectors.
    - a. In the event that the side wall horizontally vented gas fueled equipment is installed in a crawl space or an attic, the hard-wired carbon monoxide detector with alarm and battery back-up may be installed on the next adjacent floor level.
    - b. In the event that the requirements of this subdivision cannot be met at the time of completion of installation, the owner shall have a period of thirty (30) days to comply with the above requirements; provided, however, that during said thirty (30) day period, a battery operated carbon monoxide detector with an alarm shall be installed.
  2. **APPROVED CARBON MONOXIDE DETECTORS.** Each carbon monoxide detector as required in accordance with the above provisions shall comply with NFPA 720 and be ANSI/UL 2034 listed as IAS certified.
  3. **SIGNAGE.** A metal or plastic identification plate shall be permanently mounted to the exterior of the building at a minimum height of eight (8) feet above grade directly in line with the exhaust vent terminal for the horizontally vented gas fueled heating appliance or equipment. The sign shall read, in print size no less than one-half (1/2) inch in size, "GAS VENT DIRECTLY BELOW. KEEP CLEAR OF ALL OBSTRUCTIONS".
  4. **INSPECTION.** The state or local gas inspector of the side wall horizontally vented gas fueled equipment shall not approve the installation unless, upon inspection, the inspector observes carbon monoxide detectors and signage installed in accordance with the provisions of 248 CMR 5.08(2) (a) 1 through 4.
- (b) **EXEMPTIONS.** The following equipment is exempt from 248 CMR 5.08(2)(a) 1 through 4.
1. The equipment listed in Chapter 10 entitled "Equipment Not Required To Be Vented" in the most current edition of NFPA 54 as adopted by the Board; and
  2. Product Approved side wall horizontal vented gas fueled equipment installed in a room or structure separate from the dwelling, building or structure used in whole or in part for residential purposes.
- (c) **MANUFACTURER REQUIREMENTS – GAS EQUIPMENT VENTING SYSTEM PROVIDED.** When the manufacturer of Product Approved sidewall horizontally vented gas equipment provides a venting system design or venting system components with the equipment, the instructions provided by the manufacturer for installation of the equipment and the venting system shall include:
1. Detailed instructions for the installation of the venting system design or the venting system components; and
  2. A complete parts list for the venting system design or venting system.
- (d) **MANUFACTURER REQUIREMENTS – GAS EQUIPMENT VENTING SYSTEM NOT PROVIDED.** When the manufacturer of a Product Approved side wall horizontally vented gas fueled equipment does not provide the parts for venting the fuel gases, but identifies "special venting systems", the following requirements shall be satisfied by the manufacturer.
1. The referenced "special venting system" instructions shall be included with the appliance or equipment installation instructions; and
  2. The "special venting systems" shall be Product Approved by the Board, and the instructions for that system shall include a parts list and detailed installation instructions.
- (e) A copy of all installation instructions for all Product Approved side wall horizontally vented gas fueled equipment, all venting instructions, all parts lists for venting instructions, and/or all venting design instructions shall remain with the appliance or equipment at the completion of the installation.

# Caution

**FOR YOUR SAFETY** - Do not install or operate your Pacific Energy fireplace without first reading and understanding this manual. Any installation or operational deviation from the following instructions voids the Pacific Energy Warranty and may prove hazardous.

This appliance and its appliance main gas valve must be disconnected from gas supply piping system during any pressure testing of that system at test pressures in excess of 1/2 psi (3.5 kPa).

This appliance must be isolated from the gas supply piping system by closing its equipment shut off valve during any pressure testing of the gas supply piping system at test pressures equal to or less than 1/2 psi (3.5 kPa).

Do not use this appliance if any part has been under water. Immediately call a qualified service technician to inspect the appliance and to replace any part of the control system and any gas control which has been under water.



**WARNING:** This product can expose you to chemicals including ceramic fibers, which are known to the State of California to cause cancer, and carbon monoxide, which is known to the State of California to cause birth defects or other reproductive harm.

For more information go to [www.P65Warnings.ca.gov](http://www.P65Warnings.ca.gov).

This warning is applicable to all **Pacific Energy Fireplace Products**

**DANGER**

**HOT GLASS WILL CAUSE BURNS.**  
**DO NOT TOUCH GLASS UNTIL COOLED.**  
**NEVER ALLOW CHILDREN TO TOUCH GLASS.**

A barrier designed to reduce the risk of burns from the hot viewing glass is provided with this appliance and shall be installed for the protection of children and other at-risk individuals.

# First Fire

When lit for the first time, the fireplace will emit a slight odour for a couple of hours. This is due to the curing of paints, sealants, gaskets, and lubricants used in the manufacturing process. This condition is temporary. Open doors and windows to ventilate the area. Odour caused by the curing process may cause discomfort to some individuals.

It is normal for fireplaces fabricated from steel to give off some expansion and/or contraction noises during the start up or cool down cycle. Similar noises are found with your furnace heat exchanger or cook stove oven.

# Safety

- Due to high temperatures, this gas appliance should be located out of traffic and away from furniture and draperies.
- Children and adults should be alerted to the hazards of high surface temperatures and should stay away to avoid burns or clothing ignition.
- Young children should be carefully supervised when they are in the same room as the appliance. Toddlers, young children and others may be susceptible to accidental contact burns. A physical barrier is recommended if there are at risk individuals in the house. To restrict access to a fireplace or stove, install an adjustable safety gate to keep toddlers, young children and other at risk individuals out of the room and away from hot surfaces.
- A barrier designed to reduce the risk of burns from the hot viewing glass is provided with the fireplace and shall be installed for protection of children and other at-risk individuals.
- If the barrier becomes damaged, the barrier shall be replaced with the manufacturers barrier for this appliance.
- Clothing or other flammable material should not be placed on or near the appliance.
- Any safety screen, guard, or barrier removed for servicing the unit must be replaced prior to operating the appliance.
- Installation and repair should be done by a qualified service person. The appliance should be inspected before use and at least annually by a professional service person. More frequent cleaning may be required due to excessive lint from carpeting, bedding material, et cetera. It is imperative that control compartments, burners and circulating air passageways of the appliance be kept clean.
- This appliance must not be connected to a chimney flue serving a separate solid fuel burning appliance.

**This fireplace is equipped with a micro mesh safety screen for your protection and must be installed with the unit. Removal of the safety screen will cause the fireplace to become a burn and fire hazard.**

**It is our policy that no responsibility is assumed by the Company or by any of its employees or representatives for any damages caused by an inoperable, inadequate, or unsafe condition which is the result, either directly or indirectly, of any improper operation or installation procedures.**

**We recommend that our gas hearth products be installed and serviced by professionals who are certified in the United States by the National Fireplace Institute® (NFI) as NFI Gas Specialists**



# Lighting Instructions

## FOR YOUR SAFETY READ BEFORE LIGHTING

**WARNING:** If you do not follow these instructions exactly, a fire or explosion may result causing property damage, personal injury or loss of life.

- A. This appliance is equipped with an ignition device which automatically lights the pilot. Do not try to light the pilot by hand.  
B. BEFORE LIGHTING smell all around the appliance area for gas. Be sure to smell next to the floor because some gas is heavier than air and will settle on the floor.

**WHAT TO DO IF YOU SMELL GAS:**

- Do not try to light any appliance.
- Do not touch any electric switch; do not use any phone in your building.

- Immediately call your gas supplier from a neighbour's phone. Follow the gas supplier's instructions.
- If you cannot reach your gas supplier, call the fire department.

C. Use only your hand to push in or turn the gas control knob. Never use tools. If the knob will not push in or turn by hand, don't try to repair it, call a qualified service technician. Force or attempted repair may result in a fire or explosion.

D. Do not use this appliance if any part has been under water. Immediately call a qualified service technician to inspect the appliance & to replace any part of the control system & any gas control which has been under water.

## LIGHTING INSTRUCTIONS

1. STOP! Read the safety information above on this label.
2. This appliance is equipped with an ignition device which automatically lights the pilot. Do not try to light the pilot by hand.
3. Push the "On/ Off" button on the Remote to turn the fireplace ON.
  - If the burner does light go to step 6.
  - If the burner does not light, complete steps 4 through 5.
  - If the burner will not light or stay lit after several tries, push the "On/ Off" button on the Remote to turn the fireplace OFF, turn off all electric power to the fireplace and call your service technician or gas supplier.

Note: Sufficient time must be allowed for air to escape from lines if the unit is being lit for the first time.

4. Push the "On/ Off" button on the Remote to the fireplace Off.
5. Allow sufficient length of time (minimum 5 minutes) for any gas in the combustion chamber to escape. If you still smell gas, STOP! Follow "B" in the safety information above on this label. If you do not smell gas, go to step 3.
6. Set fireplace to desired setting by using the Remote.

## TO TURN OFF GAS APPLIANCE

1. Push the "On/ Off" button on the Remote to turn the fireplace OFF.
2. Turn off all electric power to the appliance and remove backup batteries if service is to be performed or for extended shutdown.

Due to high surface temperatures, keep children, clothing and furniture away. Keep burner and control compartment clean. See installation and operating instructions accompanying the appliance.

A cause de la temperature elevee des parois, tenir eloignes les enfants, les vetements et les meubles. Maintenir propres le bruleur et le compartiment de commande. Voir les instructions relatives a l'installation et au fonctionnement qui accompagnent l'appareil.

**CAUTION:** Hot while in operation. Do not touch. Severe burns may result. Keep children, clothing, furniture, gasoline and other liquids having flammable vapours away. Keep burner and control compartment clean. See installation and operating instructions accompanying the appliance.

**ATTENTION:** L'appareil est chaud lorsqu'il fonctionne. Ne pas toucher l'appareil. Risque de brûlures graves. Surveiller les enfants. Garder les vêtements, le meubles, l'essence ou autres liquides produisant des vapeurs inflammables loin de l'appareil. S'assurer que le brûleur et le compartiment des commandes sont propres. Voir les instructions d'installation et d'utilisation qui accompagnent l'appareil.

090713

5051.185new

GBWY

# Rating Label



**VENTED GAS FIREPLACE - NOT FOR USE WITH SOLID FUEL.**

**9123456789**



**MODEL:**

**Esprit L44**

**SERIES**

**A**

**MADE IN CANADA**

ANSI Z21.88-2019 / CSA 2.33-2019 Vented Gas Fireplaces/Heaters.  
CAN/CSA 2017/CGA 2.17-M91 Gas-Fired Appliance For Use  
At High Altitudes

This appliance is Equipped For Use With

Certified for Canada and U.S.A.

| FOR USE WITH:            | NATURAL GAS   | LP GAS  |
|--------------------------|---|---|
|                          | <b>Minimum supply pressure:</b><br>(For the purpose of input adjustment)<br><b>Maximum supply pressure:</b><br><b>Manifold pressure : Maximum</b> | <b>NATURAL GAS</b><br><br>5.00 in/wc 5.00 po/c.e.<br>(1.24 kPa)<br>13.90 in/wc 13.90 po/c.e.<br>(3.46 kPa)<br>3.50 in/wc 3.50 po/c.e.<br>(0.87 kPa) |
| <b>Orifice Size:</b>     | EU  | EV  |
| <b>Input BTU/hr (kW)</b> | Max: 38,000.00 (11.14)<br>Min: 26,000.00 (7.62)   | Max: 38,000.00 (11.14)<br>Min: 29,000.00 (8.50)   |

Electrical rating: 115V, 60hz, 3.0 A

This appliance equipped for altitudes 0 - 4500 ft. (0 - 1371.6 m). In Canada, also certified for installation in a bedroom or a bedsitting room. This appliance must be installed in accordance with local codes, if any; if none, follow the current CAN/CGA-B149 (Canada), or ANSI Z223.1 (USA) Installation Codes

**MANUFACTURED (MOBILE) HOME:** This appliance is only for use with the type of gas indicated on the rating plate and may be installed in an aftermarket, permanently located, manufactured (mobile) home where not prohibited by local codes. See owners manual for details. This appliance is not convertible for use with other gases, unless a certified kit is used. Install in accordance with the current standard Mobile Homes, CAN/CSA Z240 MH (in CANADA), and the Manufacturer's Home Construction and Safety Standard, Title 24 CFR, Part 3280, or the current Standard for Fire Safety Criteria for Manufactured Home Installations, Sites, and Communities ANSI/NFPA 501A, (in the U.S.A.). For OEM installation in a manufactured home (USA only) or mobile home only.

**FOR USE WITH THE GLASS CERTIFIED WITH THE APPLIANCE ONLY**  
For use only with barrier part #80002672. Follow installation instructions.

| MINIMUM CLEARANCES TO COMBUSTIBLES   |                     |
|--|---------------------|
| Left and Right side are determined when facing the front of the appliance. |                     |
| Hearth In Front  | 0.00 in. / 0 mm     |
| Objects In Front   | 36.00 in. / 914 mm  |
| Center to sidewall   | 27.25 in. / 692 mm  |
| Under Appliance  | 0.00 in. / 0 mm     |
| To Standoffs (Must Be In Place)  | 0.00 in. / 0 mm     |
| Bottom of Appliance to Max 2.00 in. / 51 mm Mantel Depth                   | 42.00 in. / 1067 mm |
| Bottom of Appliance to Max 12.00 in. / 305 mm Mantel Depth                 | 42.00 in. / 1067 mm |

**Pacific Energy  
Fireplace Products Ltd.  
Duncan, British Columbia  
Canada**

CAN/CSA P.4.1-15  
Efficiency:  
NG: 65.0% LP: 63.4%

**DATE OF  
MANUFACTURE**  
**02/2021**

**WARNING:** Improper installation, adjustment, alteration, service or maintenance can cause injury or property damage. Refer to the owner's information manual provided with this appliance. For assistance or additional information, consult a qualified installer, service agency or the gas supplier. This vented gas fireplace is heater rated and is not for use with air filters. Sections of the venting system have not been installed. **WARNING - Do not operate the appliance until all sections have been assembled and installed in accordance with the manufacturer's instructions.**

**CAUTION:** Do not operate the appliance with glass removed, cracked, or broken.

Replacement of the panel(s) should be done by a licensed or qualified service person.

10022021

100004786-50

**Note: The Rating Label is located inside the cabinet next to the gas controls, just below the firebox. Remove the Safety Screen to gain access to the label.**



# Remote Control Operation

Pacific Energy Fireplaces can be operated by using the Remote Control handset that came with the fireplace. Before it can be used, batteries will need to be installed and the handset paired to the fireplace. The fireplace has a Battery Holder box located next to the control module that holds four (4) “AA” batteries. Note: The fireplace is powered by household AC current. The batteries in the Battery Holder box are not required to pair the Remote Control to the fireplace or to operate the fireplace while household AC current is available. The batteries are needed to use the fireplace during a power outage. Battery life varies between one and two weeks, depending on how many times the fireplace is used during the outage. Accent lights and the Optional Ember Lights and Blower will not operate under battery power.



Figure 1: Remote Control handset.

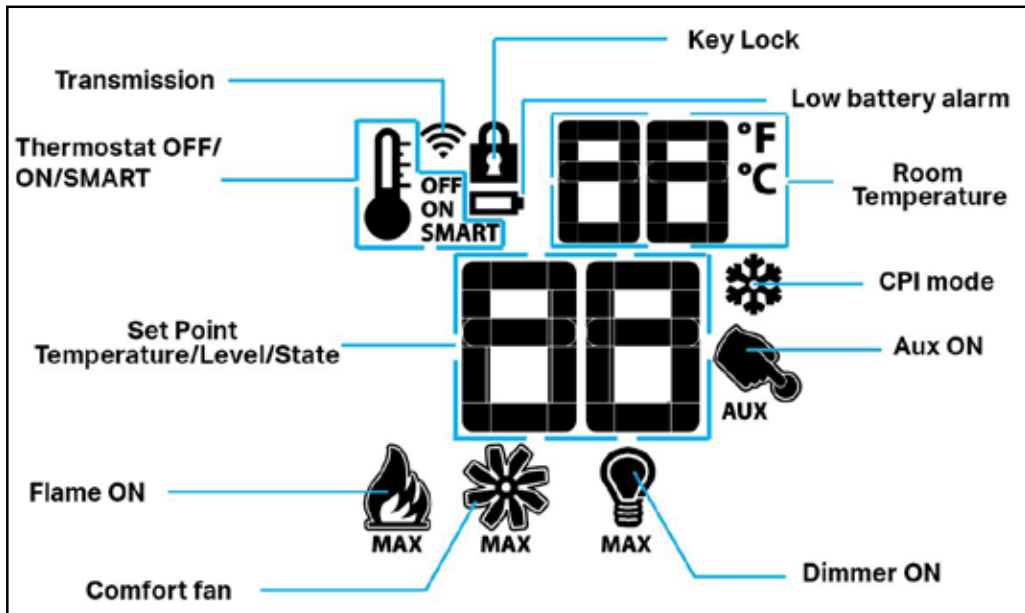


Figure 2: Remote Control LCD display icons.



# Remote Control Operation

## Installing Batteries

### Battery Holder:

Install four (4) “AA” alkaline batteries in the battery holder, located inside unit on the bottom of the unit next to the control module. Note the polarity of the batteries and insert as indicated (+/-).

### Remote Control:

Press the securing clip on the back of the remote control to release the back cover. Install three (3) “AAA” alkaline batteries into the battery compartment. Note the polarity of the batteries and insert as indicated (+/-). Replace the battery cover and press it down until it clicks into place.

Dispose of used batteries according to local regulations. Do not expose batteries to heat or flame. Keep batteries out of the reach of children; they are choking hazards and are very dangerous if swallowed.



Figure 3: BatteryHolder



Figure 4: Remote Control battery compartment

# Remote Control Operation

## Pairing the Remote Control - to the fireplace for the first time

To access the control Module, remove the protective screen from the unit and reach down between the door front and the outer casing.

Press and release the “PRG” button located on the Control Module. The fireplace IFC module will “beep” three (3) times to indicate that it is ready to pair with the Remote Control. Within 10 seconds, press the “ON” button on the Remote Control handset. The fireplace IFC module will “beep” four (4) times to indicate a good link. The system is now paired and ready to use.

NOTE: Pairing the controls is a one time requirement, and does not need to be repeated after changing batteries or after a power outage.

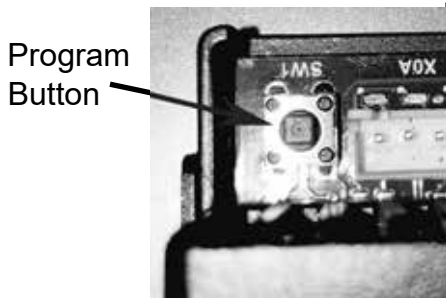


Figure 5: Pairing Button.

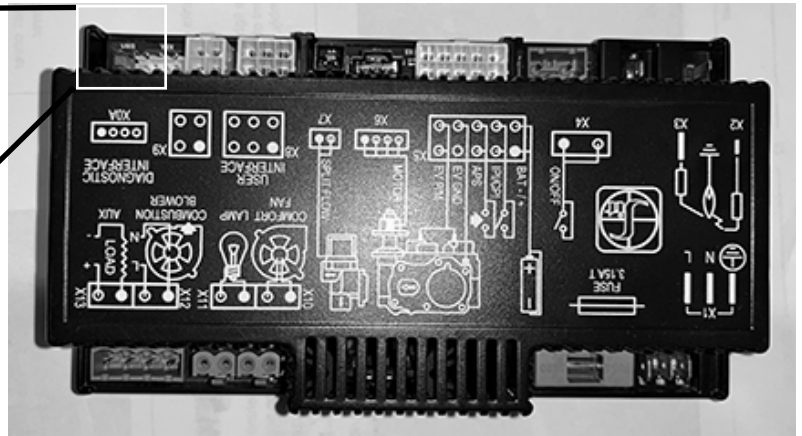


Figure 7: Control Module.



Figure 6: Remote handset

# Remote Control Operation

## Remote Control Features

1. Main Burner On/Off
2. Main Burner flame modulation (6 levels)
3. Choice of Continuous (standing "CPI") or Intermittent (electronic "IPI") pilot
4. Thermostat and Smart Thermostat functions
5. Accent light modulation (6 levels)
6. Comfort Fan speed modulation (6 levels)

## Temperature Display

With the system in the OFF position, press the Thermostat button and the Mode button at the same time to change from degrees F to C. Look at the LCD display on the remote to verify that a C or F is visible to the right of the Room Temperature display (Figure 8 and Figure 9)

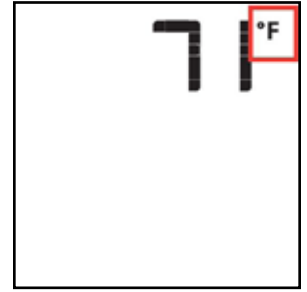


Figure 8: Temperature in Fahrenheit

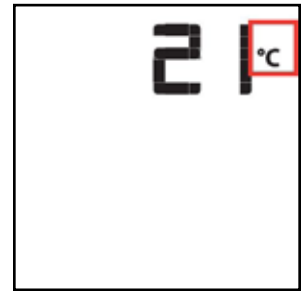


Figure 9: Temperature in Celsius

## Turning ON the Fireplace



To start the fireplace, press the ON/OFF button on the Remote Control. The Remote Control display will show the FLAME icon (Figure 10) and a HI flame setting on the screen. At the same time the module will confirm reception of the command with a single "beep" and will start the ignition cycle of the fireplace. A second "beep" will be heard approximately 15 seconds after the first one to confirm command.

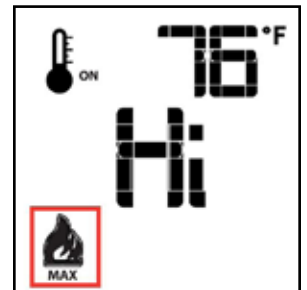


Figure 10: Fireplace ON

## Turning OFF the Fireplace



To turn OFF the fireplace, press the ON/OFF button on the Remote Control. The Remote Control display will change to show only the room temperature in the top right corner (Figure 11). At the same time the module will confirm reception of the command with a single "beep" and will turn OFF the fireplace. A second beep will be heard approximately 15 seconds after the first one to confirm command.



Figure 11: Fireplace OFF

# Remote Control Operation

## Function Lock (Child Safety)



An additional feature of this remote control is the ability to lock all buttons to avoid unsupervised operation. To activate this function, press the MODE and UP keys at the same time. The lock icon will appear (Figure 12). The remote control buttons are now locked. To de-activate this function, press the MODE and UP keys at the same time.

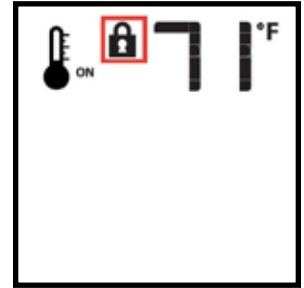


Figure 12: Function Lock

## Flame Height Adjustment



The fireplace control system has six (6) flame levels and can be adjusted with the remote control. With the fireplace ON and on HI, pressing the Down Arrow button once will reduce the flame height by one step. Keep pressing the button to lower the flame until the flame is turned OFF.

The Up Arrow button will increase the flame height each time it is pressed. Keep pressing the button to increase the flame until the flame is at its maximum and on HI.

If the Up Arrow button is pressed while the system is on but the flame is “OFF”, the flame will come on at the HI position (Figure 13). A single “beep” will confirm reception of the command.

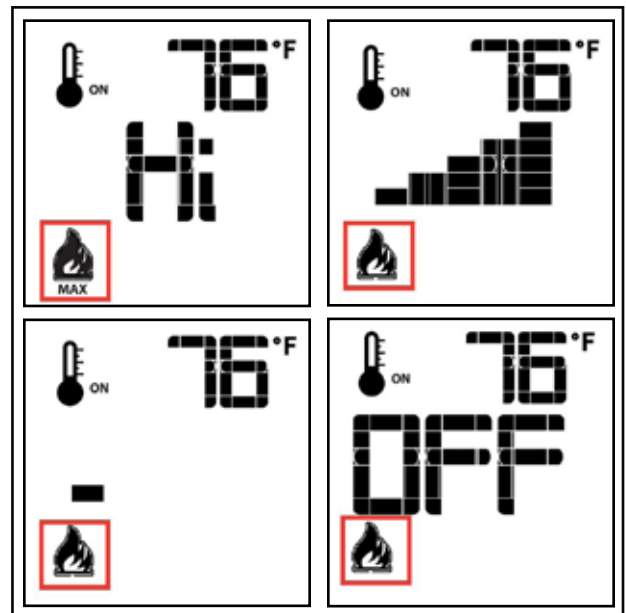


Figure 13: Flame Height Adjustment

## Media Tray Lights Control



This fireplace is equipped with dimable Media Tray accent lighting. With the fireplace ON, press the Mode button (Figure 1) to index to the Light Bulb icon (Figure 14). Next, press the UP button to turn on the lights. The lights can be dimmed or brightened through six (6) levels. Use the Up/Down Arrow Keys to adjust the brightness. A single “beep” will confirm reception of each command.

Once you set the desired light intensity, the system will remember your selection until you manually change it. The Lights will turn OFF with the fireplace and turn on to the preset level when the fireplace is turned ON.

To leave the lights ON without a flame, use the Mode button to select the Flame icon, then lower the flame until the flame is turned OFF with the Down Arrow button.

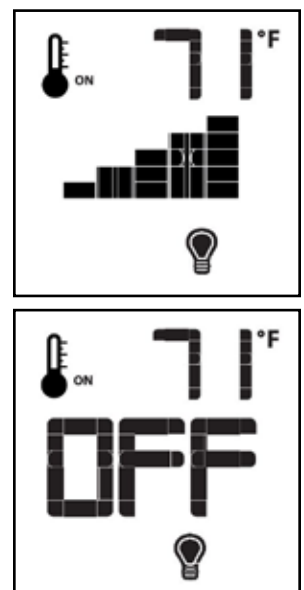


Figure 14: Lights ON and OFF

# Remote Control Operation

## Thermostat mode



The remote control can operate as a room thermostat. The thermostat can be set to a desired temperature to control the comfort level in a room. To activate this function, press the Thermostat button. The display on the remote will change to show that the room thermostat is “ON” and the set temperature is now displayed (Figure 15). To adjust the set point, press the Up/Down button until the desired set point temperature is displayed on the screen of the Remote Control.

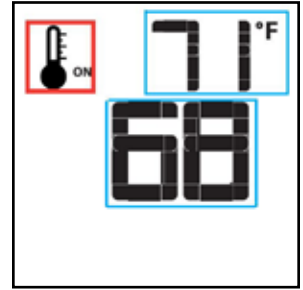


Figure 15: Thermostat mode

## Smart Thermostat mode



The Smart Thermostat function adjusts the flame height in accordance to the difference between the set point and the room temperatures. As the room temperature gets closer to the set point, the Smart Function will modulate the flame down. If the room temperature continues to rise beyond the set point, the fireplace will be turned OFF. Once the room temperature falls back down below the set point, the fireplace will turn back ON automatically. To activate this function, press the THERMOSTAT key until the word “SMART” appears to the right of the temperature icon (Figure 16). To adjust the set point, press the UP/DOWN button until the desired set point temperature is displayed on the LCD screen of the Remote Control.



Figure 16: Smart Thermostat mode

## Optional Comfort Fan Control



The Optional Comfort Fan is turned ON/OFF and its speed adjusted through six (6) speeds with the remote control. To activate this function use the Mode button to index to the Fan icon. Use the Up/Down Arrow button to turn the fan ON, OFF or adjust its speed (Figure 17). A single “beep” will confirm reception of each command.

Note: If the fireplace is operated under Thermostat or Smart Thermostat mode, and the fan is in the ON position, the fan will start automatically 5 minutes after ignition and stop 12 minutes after the fireplace is turned OFF.

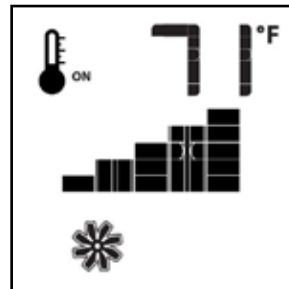


Figure 17: Comfort fan ON.



Figure 18: Comfort fan OFF

## Accent Lights Control



This fireplace is equipped with overhead accent lighting. The accent lights are controlled with the AUX function. To activate this function use the Mode button to index to the AUX icon. Use the Up/Down Arrow button to turn the lights ON and OFF (Figure 19 and Figure 20). A single “beep” will confirm reception of each command.

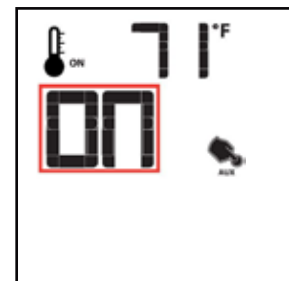


Figure 19: AUX ON



Figure 20: AUX OFF

# Remote Control Operation

## Pilot Type Selection

### Pilot-on-demand



This fireplace is equipped with an “On Demand” Intermittent Pilot Ignition (IPI) mode which also includes a Continuous Pilot Ignition (CPI) mode with an integrated seven day timer. This system minimizes your appliance’s carbon footprint as well as reducing its annual fuel consumption and operating costs.

In IPI mode, the pilot flame will ignite prior to the main burner flame, when the fireplace is turned ON manually using the Remote Control or from a call for heat when set to the Thermostat mode. Once the fireplace is turned OFF (or the call for heat is satisfied), the main burner and pilot flame will shut down.

The Continuous Pilot Ignition mode (CPI) is intended to enhance the performance of the appliance during the startup phase in colder climates and extreme weather by keeping the system warm when the main burner is not in use.

When the CPI function is activated, the pilot flame will remain on after the main burner flame is turned OFF. A timer will then begin the countdown for approximately seven days before shutting off the pilot flame if the fireplace is not used. This countdown will reset anytime the fireplace main burner is used.

Therefore, if the fireplace is regularly used day to day, the pilot flame will remain on.

### Continuous Pilot (CPI) or Intermittent Pilot (IPI) Selection

With the system in the “OFF position, press the Mode button (see Figure 1) to index to the CPI mode icon (Figure 21). Pressing the Up Arrow button will activate the Continuous Pilot Ignition mode (CPI). Pressing the Down Arrow Key will return to Intermittent Pilot Ignition mode (IPI). A single “beep” will confirm the reception of the command.

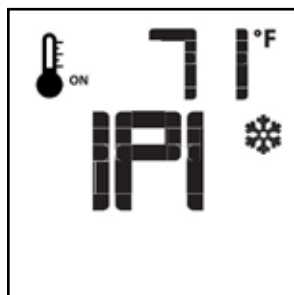


Figure 21: Intermittent Pilot Ignition

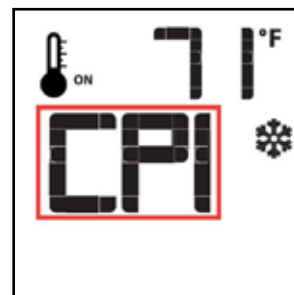


Figure 22: Continuous Pilot Ignition

# Remote Control Operation

## Low Battery Indicator



When the Remote Control batteries are low, a Low Battery icon will appear on the LCD display of the Remote handset (see Figure 23) before all battery power is lost. The Low Battery icon will disappear after the batteries are replaced.

Remote Control batteries can last up to a year depending on various factors: quality of the batteries used, the number of ignitions of the fireplace, the number of changes to the room thermostat set point, etc.

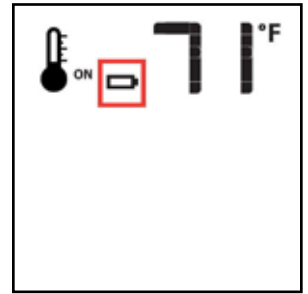


Figure 23: Low Battery Indicator

When the Battery Holder batteries are low, two (2) “beeps” will be emitted from the IFC module every time it receives a command from the Remote. This is an alert for a low battery condition for the back-up batteries in the Battery Holder. Back-up batteries can last up to two weeks, depending on length of power outage and how many times the fireplace is used during the outage.

## Changing the Batteries

### Remote Control:

Press the securing clip on the back of the remote control to release the back cover. Remove the three (3) “AAA” alkaline batteries in the remote and replace with new batteries then press the ON button. The Module will beep four (4) times to indicate that the remote’s command is accepted.

### Battery Holder:


Press both locking tabs on the top of the Battery Holder to release the batteries. (see Figure 3). Do not discard. Remove the four (4) “AA” alkaline batteries in the Battery Holder and replace with new ones. Note the polarity of the batteries and insert as indicated on the cover (+/-).

Note: Dispose of used batteries according to local regulations. Do not expose batteries to heat or flame. Keep batteries out of the reach of children; they are choking hazards and are very dangerous if swallowed.

# Maintenance

Turn off gas and electrical power supply and allow ample time for the fireplace to cool before servicing. It is recommended that the fireplace and its venting be inspected at least once a year by a qualified service person.

## Glass Door:

 **Warning: Do not operate fireplace with glass door removed, cracked or broken. Replacement of the glass door should be done by a licensed or qualified service person. Check glass panel gasket, replace if necessary. It is important that the glass seal be maintained in good condition.**

Do not strike or otherwise impact the glass in any way that may cause it to break. If the glass becomes cracked or broken it must be replaced before using the fireplace. Replacement glass can be obtained from your nearest Pacific Energy dealer. The fireplace uses Ceramic Glass. Do not substitute with any other type. To remove broken glass, remove Door as noted in Glass Door Removal section in this manual.

## Annual Inspection:

- Remove Safety Screen and Glass Door and decorative burner media (such as logs and rocks). Inspect decorative media and burner assemblies for soot buildup. If excessive buildup of soot is present, have a qualified service person inspect and adjust unit for proper combustion. Clean burners with a brush or vacuum cleaner, paying close attention to burner ports.
- Vacuum and clean any debris in the firebox that is not supposed to be there.
- Check the pilot system for proper flame size and operation. See Figure 24. Clean pilot free of soot, dust or any other deposits. Inspect and ensure the lighting of the main burner occurs within 4 seconds of the main gas valve opening. Inspect primary air openings for blockage.
- Test and measure the flame failure response time of the flame safety system. It must de-energize the safety shutoff in no more than 30 seconds.
- The venting system should be inspected once a year by a qualified agency. Check that the vent pipe and vent terminal are open and free from blockage or debris. If the venting is disassembled for cleaning, it must be properly assembled and re-sealed. Refer to VENTING section for proper procedure.
- Inspect and push the pressure relief mechanisms up to verify relief mechanisms are free from obstruction to operate. The pressure relief plates are located in the firebox top on the left and right.
- Check all accessible gas-carrying tubes, connections, pipes and other components for leaks.
- Check and replace batteries as needed.

**Note: The appliance area must be kept clear and free from combustible materials, gasoline and other flammable vapors and liquids.**



**Periodically:**

- Viewing glass may be cleaned as necessary with fireplace glass cleaner. Be careful not to scratch the glass when cleaning.
- Exterior finish may be cleaned with mild soap and water.



**CAUTION: Do not use abrasive cleaners on glass or any other part of the fireplace. Do not clean glass when hot.**

Flame  
Sensor



Igniter

Pilot Hood

Figure 24: Pilot Flame

# Fireplace Specifications

This appliance is certified to ANSI Z21.88 / CSA 2.33 American National Standard / CSA Standard for Vented Gas Fireplace Heaters for use in Canada and USA, and to CGA 2.17-91 High Altitude Standard in Canada. This appliance is for Direct Vent installations only.

This appliance complies with CSA P.4.1-15 Testing method for measuring annual fireplace efficiency.

The installation must conform to local codes or, in the absence of local codes, with the National Fuel Gas Code, ANSI Z223.1/NFPA 54 or the Natural Gas and Propane Installation Code CAN/CGA-B149.1. Only qualified licensed or trained personnel should install this appliance.

This appliance must be electrically grounded in accordance with local codes, or, in the absence of local codes, with the National Electrical Code, ANSI/NFPA 70 or the Canadian Electrical Code, CSA C22.1. The flow of combustion and ventilation air must not be obstructed.

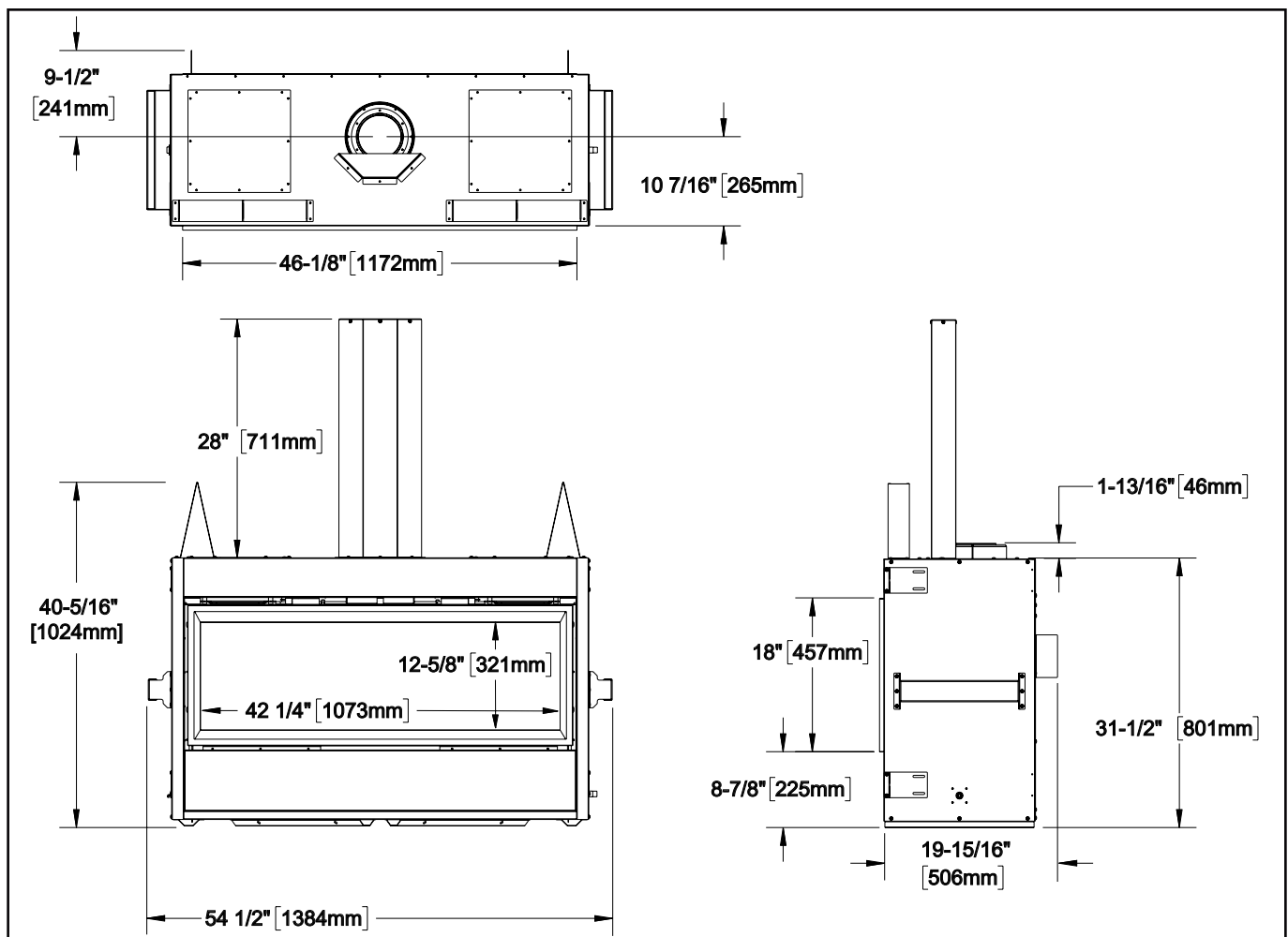


Figure 25: L44 - 3 view Dimensions.

---

# Manufactured (Mobile) Home

This appliance is certified to be installed in an aftermarket permanently located, manufactured (mobile) home, where not prohibited by local codes.

This appliance is only for use with the type of gas indicated on the rating plate. This appliance is not convertible for use with other gases, unless a certified kit is used.

This appliance must be installed in accordance with the Standard for Manufactured Housing, CAN/CSA Z240 MH (in CANADA), and the Manufactured Home Construction and Safety Standard, Title 24 CFR, Part 3280, in the United States; or when such a standard is not applicable, the Standard for Manufactured Home Installations, ANSI A225.1/NFPA 501A (in the USA).

---

## Locating the Fireplace

When selecting a location for the fireplace, it is important to consider the required clearances to walls and other combustible materials, location and route of the vent system and where gas supply piping may be plumbed. Various installations are possible, such as, into an existing wall, a corner, a built in wall or a wall projection. See (Figure 26) below.

Due to high temperatures, do not locate this fireplace in areas of high traffic or near furniture or draperies. Front of the appliance is the side with the Safety Screen covering the viewing glass. Left and Right side are determined when facing the front of the appliance.

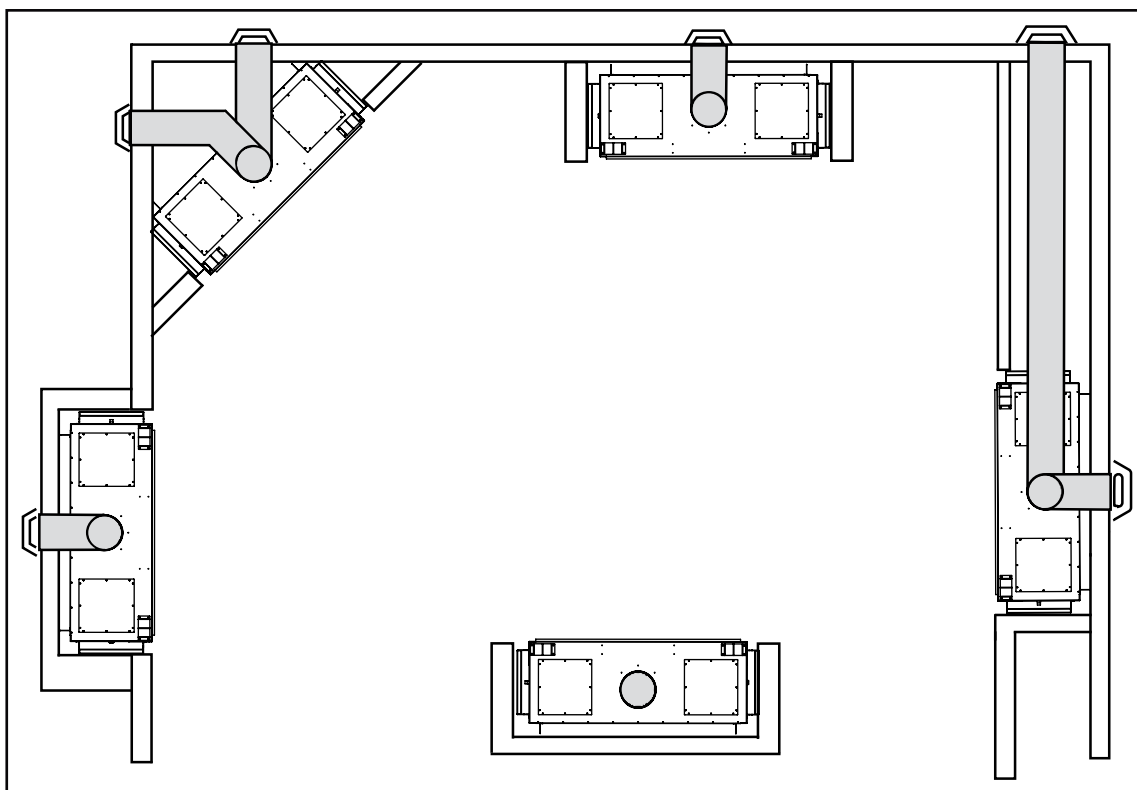


Figure 26: Common installation examples.

# Minimum Clearances to Combustibles

Chase width.....54-3/4 in. (1391 mm)  
 Chase height ..... 68 in. (1727 mm)  
 Chase depth ..... 20 in. (508 mm)

Side standoffs ..... 0 in. (0 mm)  
 Back standoffs ..... 0 in. (0 mm)  
 Top steel header (supplied) ..... 0 in. (0 mm)  
 Bottom of appliance ..... 0 in. (0 mm)

## Adjacent side wall

(measured from the finishing edge)..... 4 1/4 in. (108 mm)  
 (measured from center of appliance)..... 27 1/4 in. (692 mm)  
 Ceiling to bottom of appliance ..... 68 in. (1727 mm)

Mantel to bottom of appliance ..... 42 in. (1067 mm)  
 Maximum mantel extension..... 12 in. (305 mm)  
 Side Mantel support from finishing edge ..... 4 1/4 in. (108 mm)  
 Objects in front of the appliance ..... 36 in. (914 mm)

## Vent System

Above First Vent Pipe Elbow ..... 13 1/8 in. (333 mm)  
 Above Subsequent Pipe Elbows..... 3 in. (76 mm)  
 Vent pipe (top, sides and bottom)..... 3 in. (76 mm)

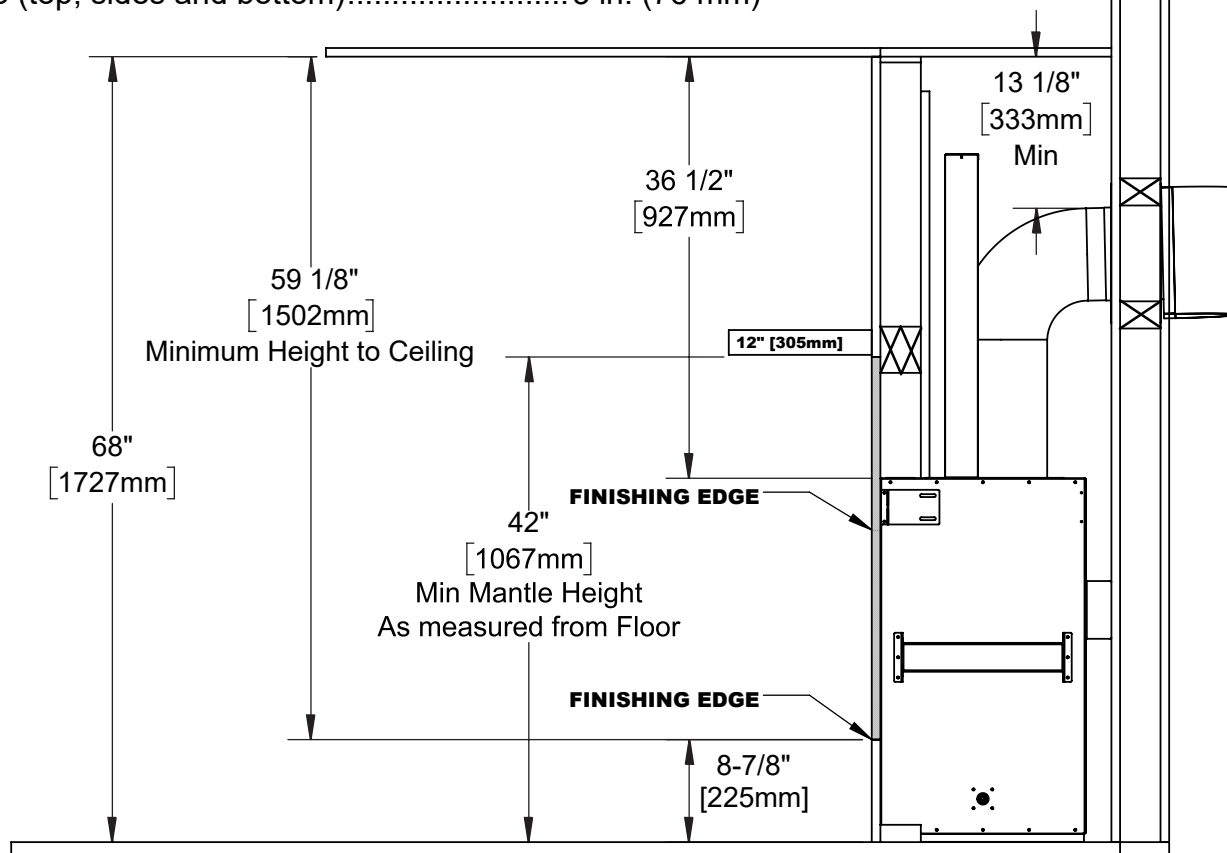


Figure 27: L44 Minimum Clearance to Combustibles.

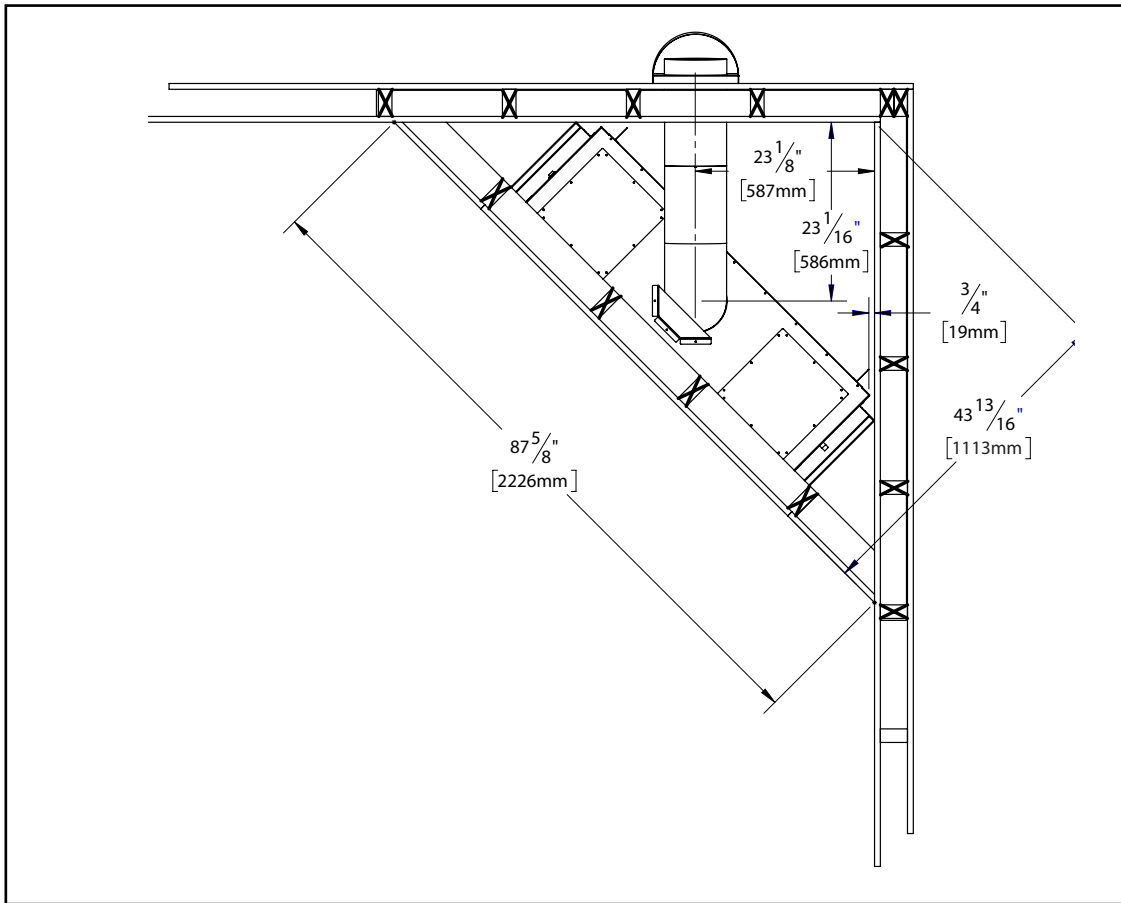


Figure 28: Minimum clearance in a corner

## Top Standoffs

The top framing standoffs are shipped flat and attached at both front top corners of the fireplace. See (Figure 29). They will need to be folded up and secured with screws provided. It may be easier to do so after the fireplace is in the final position.

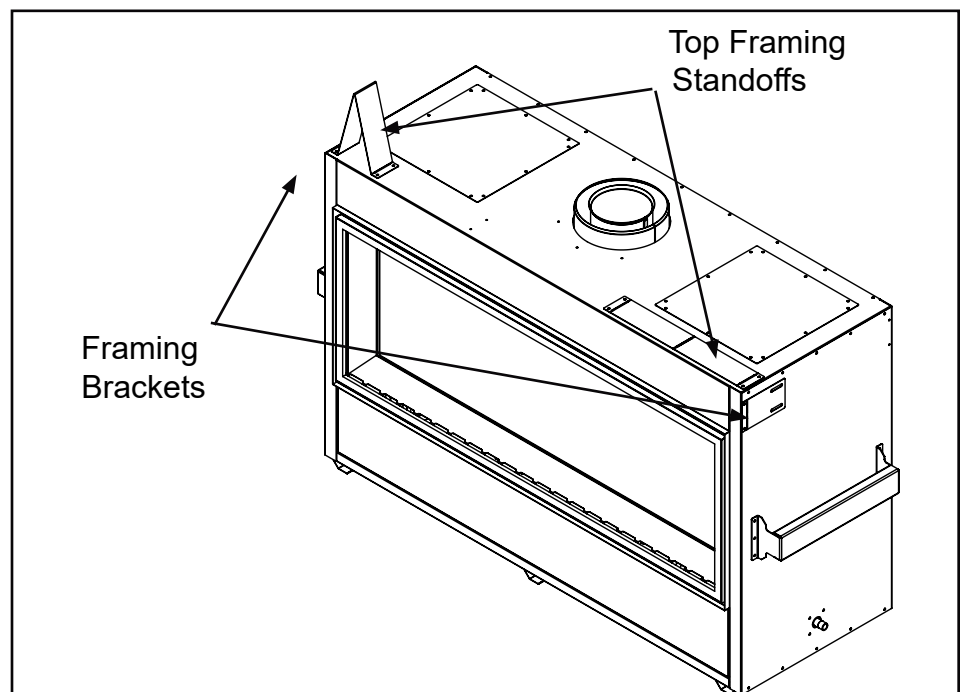


Figure 29: Top standoffs

# Framing and Finishing

**Note: This fireplace should be in place and venting installed before framing in or building an enclosure around the unit.**

This fireplace must be framed in as prescribed in the following pages or totally enclosed with non-combustible material, such as facing brick.

A steel header supplied with the fireplace must be installed so that the bottom of the header is level with the top standoffs (Figure 30). The header must be positioned  $40\frac{5}{8}$ " above the floor the fireplace is positioned on.

The sides, back and top (above the steel header) of the fireplace enclosure can be framed in using conventional lumber. The center two studs above the steel header must be  $14\frac{1}{2}$ " apart and centered on the steel header to ensure proper clearance to vent pipe and vent shield. Consult local building codes for specific requirements.

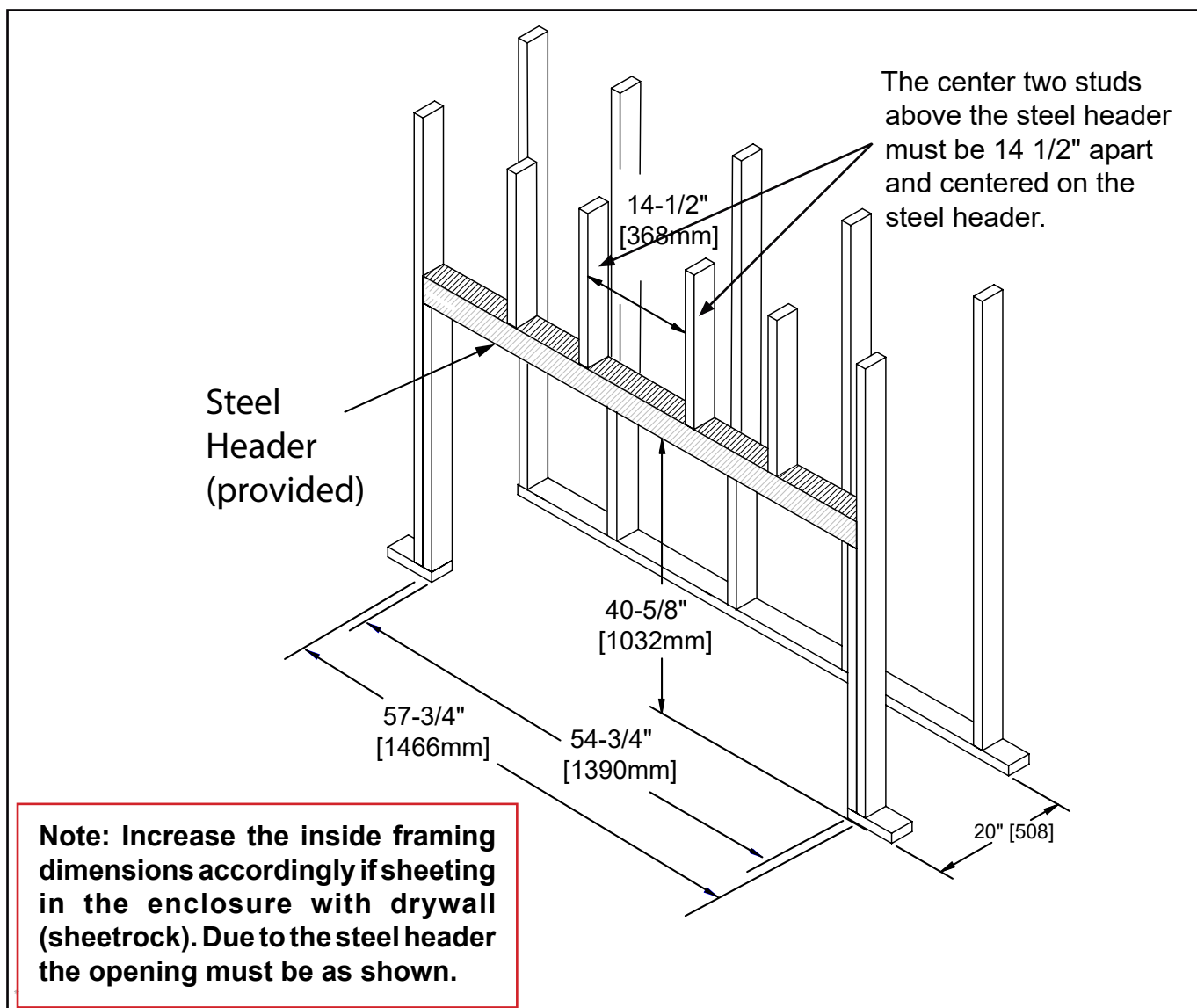


Figure 30: L44 Framing Dimension.

Due to high temperatures, 1/2" thick non-combustible board, such as cement board or its equivalent, must be used to sheet in the front of the fireplace face, extending a minimum of 15 1/8" above and 4" to the side of the finishing edge. The board extends down each side of the fireplace opening to the bottom of the finishing edge. Standard sheet rock (drywall) may be used beyond the non-combustible board. See Figure 31.

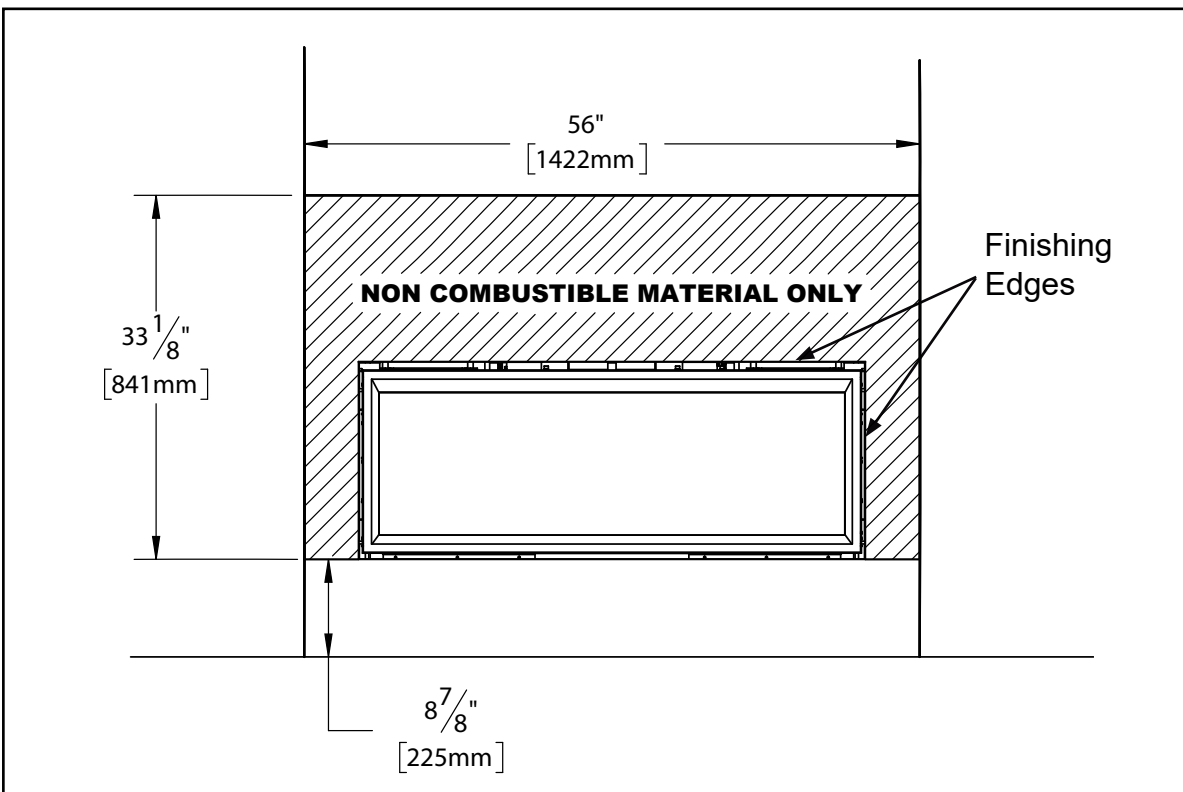


Figure 31: Non-combustible material

Additional non-combustible material, such as tiles, river rock or facing brick, can be added to the front area of the enclosure up to a depth of 6".



**Warning: The finishing material must not interfere with the safety screen and glass door removal.**

If tile or other non-combustible material (stone etc.) is not going to be installed over the non-combustible board, it is recommended that a single sheet of calcium silicate board or its equivalent be used. Taped and mudded joints may crack due to the elevated temperatures. Follow board manufacturers installation and finishing instructions closely.

**Chase Insulation: When installing this fireplace against an exterior wall or chase, it is recommended that the outer walls be insulated to same degree as other exterior walls in the building. Do not place fireplace directly against the insulation. Cover the insulation and plastic vapor barrier with a solid surface, such as dry wall (sheet rock). Consult local codes. Do not insulate between the top of the fireplace and the top of the stand-offs.**

# Venting

**Only qualified, licensed, or trained personnel should install this fireplace and its venting system.**

**Note: This fireplace is certified for use with 5" x 8" rigid coaxial venting components only. Mixing venting components from different manufacturers is not allowed.**

Only the following 5 x 8" vent terminations are approved for use with this fireplace: Use of any other vent terminations is not allowed.

|                          | <b>Horizontal Termination</b> | <b>Vertical Termination</b> |
|--------------------------|-------------------------------|-----------------------------|
| ICC EXCELDirect®         | TM – 5HT                      | TM – 5SVT                   |
| DuraVent DirectVent® Pro | 58DVA – HSCH*                 | 58DVA – VCH                 |

**\*The following terminations must not be used:**

**DuraVent DirectVent® Pro: 58DVA – HSC, 58DVA – HSC-S, 58DVA – HSC-C**

ICC EXCELDirect® - 5x8 Co-axial Vent Pipe: Assorted lengths and elbows.

DuraVent DirectVent® Pro - 5x8 Co-axial Vent Pipe: Assorted lengths and elbows.

Fire stops must be used wherever the venting passes through a wall, floor or ceiling.

Various combinations of vertical and horizontal runs may be used (see charts on Page 30 and Page 31). For optimum performance and flame appearance, keep the vent length to a minimum and limit the number of elbows. Connections between each vent system component must be tightly joined, secured with sheet metal screws and sealed with provided high temperature self adhesive tape. A horizontal run of vent should have a 1/4" rise for every 1 ft. of run towards the termination.



**Caution: Proper Vent System clearance to combustible material must be maintained.**

|  |                            |
|--|----------------------------|
| <b>Above First Vent Pipe Elbow</b>       | <b>13 1/8 in. (333 mm)</b> |
| <b>Above Subsequent Pipe Elbows</b>      | <b>3 in. (76 mm)</b>       |
| <b>Vent Pipe (top, sides and bottom)</b> | <b>3 in. (76 mm)</b>       |



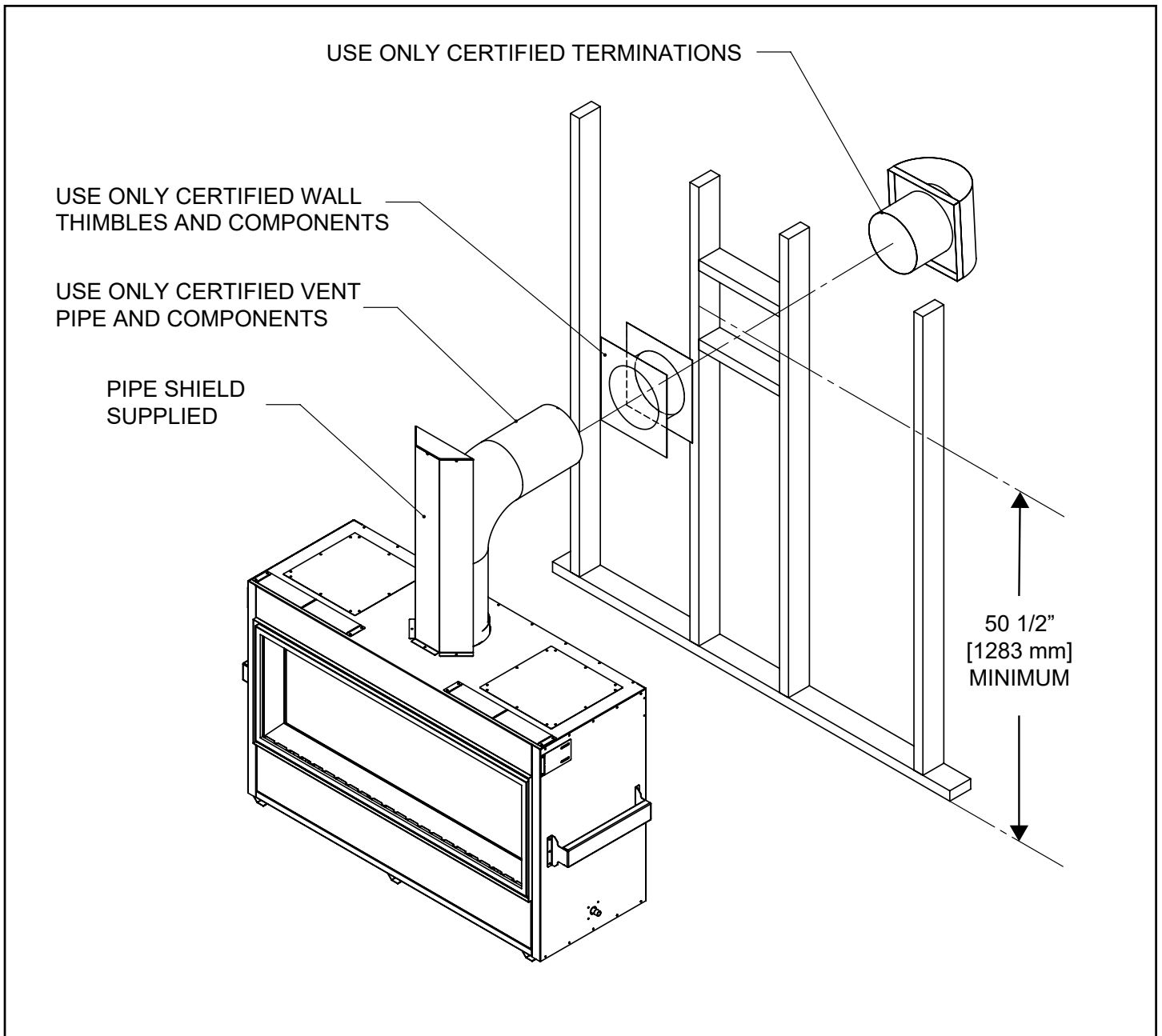


Figure 32: Horizontal Termination

**IMPORTANT:** When locating the wall opening for the vent pipe, it should be noted that vent terminal clearances must be maintained. See "Vent Terminal Minimum Clearances" section for proper clearances.

---

# Horizontal Wall Termination

Only the following 5 x 8" vent terminations are approved for use with this fireplace:  
(Use of any other vent terminations is not allowed.)

**ICC EXCELDirect®  
DuraVent DirectVent® Pro**

**TM – 5HT  
58DVA – HSCH\***

All other sections of pipe and elbows listed by the vent manufacturer can be used. Follow the vent pipe manufacturers installation instructions. Use all shields, firestops and vent pipe supports as required by the vent manufacturer.

**NOTE: Mixing venting components from different manufacturers is not permitted.**

## **Exterior Wall Opening:**

Ideally, position the fireplace so that the exterior wall studs will not be in the way of the vent pipe exiting the chase. If they are, the location of the fireplace may have to be adjusted or the venting may have to be offset. Consult your local building codes prior to proceeding.

**IMPORTANT:** When locating the wall opening for the vent pipe, it should be noted that vent terminal clearances must be maintained. See Vent Terminal Minimum Clearance on page 28 for proper clearances.

A minimum 1 foot length of pipe is required off the top of the fireplace for any horizontal wall termination. With this minimum vertical rise in combination with a 90° elbow, the maximum horizontal run on Natural Gas is 8 feet and 5 feet when fired on Propane. See Venting Charts on page 30 and page 31. For longer horizontal runs, increase vertical rise appropriately. The rise and run must be constrained to the boundaries of the charts.

The horizontal run of vent pipe must have a ¼ inch rise for every 1 foot of run towards the termination

**Note: All installations must include the Vertical Vent Shield. See "Vent Pipe Shield " section in this manual.**

# Vertical Roof Termination

Only the following 5 x 8" vent terminations are approved for use with this fireplace:  
(Use of any other vent terminations is not allowed.)

**ICC EXCELDirect®  
DuraVent DirectVent® Pro**

**TM – 5SVT  
58DVA – VCH**

All other sections of pipe and elbows listed by the vent manufacturer can be used. Follow the vent pipe manufacturers installation instructions. Use all shields, firestops and vent pipe supports as required by the vent manufacturer.

**NOTE: Mixing venting components from different manufacturers is not permitted.**

**NOTE: The chase must be properly sealed at the ceiling level or between floors in a multilevel installation. Use a firestop, vent pipe shield or attic insulation shield when penetrating interior walls, floor or ceiling.**

| Roof Pitch Table    | (minimum) |      |
|---------------------|-----------|------|
|                     | ft.       | m    |
| Flat to 6/12        | 1.00      | 0.30 |
| Over 6/12 to 7/12   | 1.25      | 0.38 |
| Over 7/12 to 8/12   | 1.50      | 0.46 |
| Over 8/12 to 9/12   | 2.00      | 0.51 |
| Over 9/12 to 10/12  | 2.50      | 0.76 |
| Over 10/12 to 11/12 | 3.25      | 0.99 |
| Over 11/12 to 12/12 | 4.00      | 1.22 |

Figure 33: Roof Pitch Table

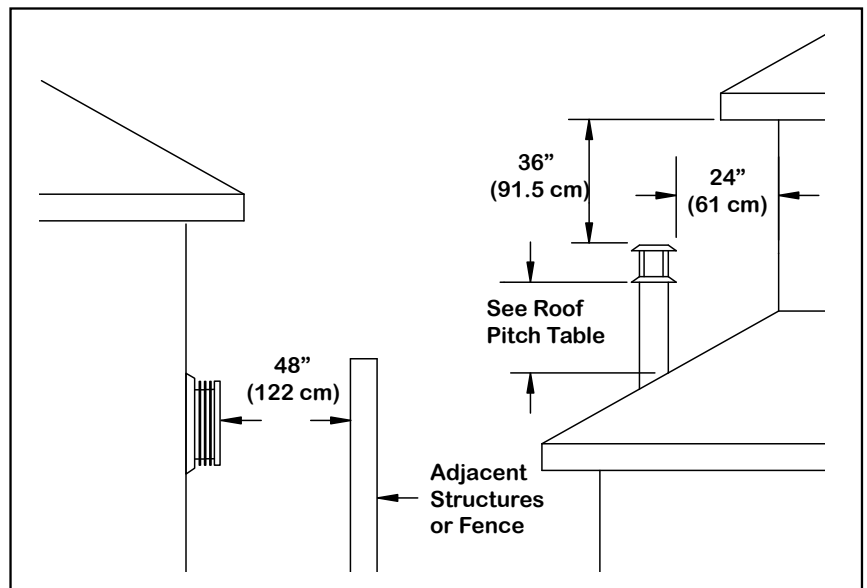
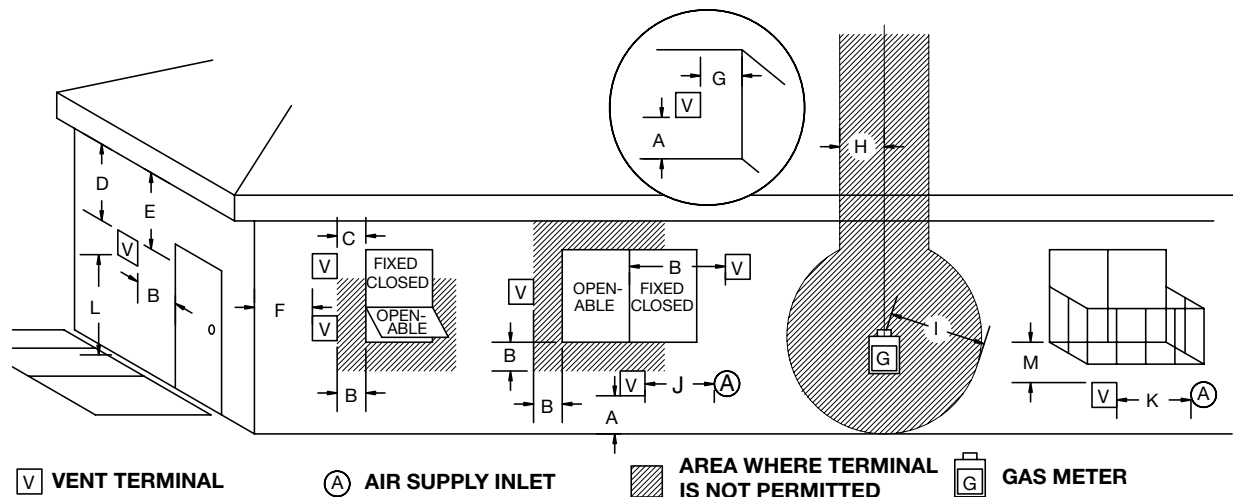


Figure 34: Wall and Roof Terminal Clearances

# Vent Terminal Minimum Clearances



| Key | Description  | Canadian Installation <sup>1</sup>   | US Installation <sup>2</sup>   |
|-----|--|--|--|
| A   | Clearances above grade, veranda, porch, deck, or balcony   | 12 in (30 cm)  | 12 in (30 cm)  |
| B   | Clearance to window or door that may be opened   | 12 in (30 cm)  | 9 in (23 cm)   |
| C   | Clearance to permanently closed window   | 10 in (26 cm)  | 10 in (26 cm)  |
| D   | Vertical clearance to ventilated soffit located above the terminal within a horizontal distance of 2 feet (61 cm) from the center line of the terminal | 16 in. (41 cm)   | 16 in. (41 cm)   |
| E   | Clearance to unventilated soffit   | 16 in. (41 cm)   | 16 in. (41 cm)   |
| F   | Clearance to outside corner  | 10 in (26 cm)  | 10 in (26 cm)  |
| G   | Clearance to inside corner   | 10 in (26 cm)  | 10 in (26 cm)  |
| H   | Clearance to each side of center line extended above meter/regulator assembly  | 3 ft (91 cm) within a height of 15 ft (4.5 m) above the meter/regulator assembly | 3 ft (91 cm) within a height of 15 ft (4.5 m) above the meter/regulator assembly |
| I   | Clearance to service regulator vent outlet   | 3 ft (91 cm)   | 3 ft (91 cm)   |
| J   | Clearance to non-mechanical air supply inlet to building or the combustion air inlet to any other appliance  | 12 in (30 cm)  | 9 in (23 cm)   |
| K   | Clearance to a mechanical air supply inlet   | 6 feet (1.83 m)  | 3 ft (91 cm) above if within 10 ft (3 m) horizontally                            |
| L   | Clearance above paved sidewalk or paved driveway located on public property  | 7 feet (2.13 m) †  | 7 feet (2.13 m) †  |
| M   | Clearance under veranda, porch, deck, or balcony   | 16 in. (41 cm) ‡   | 16 in. (41 cm) ‡   |

1 In accordance with the current CSA B149.1, Natural Gas and Propane Installation Code

2 In accordance with the current ANSI Z223.1/NFPA 54, National Fuel Gas Code

† A vent shall not terminate directly above a sidewalk or paved driveway that is located between two single family dwellings and serves both dwellings

‡ Permitted only if veranda, porch, deck, or balcony is fully open on a minimum of two sides beneath the floor

# Vent Pipe Shield

**⚠ Warning:** All installation must include the Vertical Vent Pipe Shield, regardless of vent pipe rise and/or run combination. The Horizontal Vent Shield is only required if there is an elbow in the vent pipe within the space below its position.

A two piece Vent Pipe Shield is supplied with the fireplace. A Vertical Shield and a Horizontal Shield.

Position the Vertical Shield on top of the fireplace cabinet as shown in Figure 35. Fasten in place with screws provided.

Position the Horizontal Shield at the top of the Vertical Shield and fasten in place with screws.

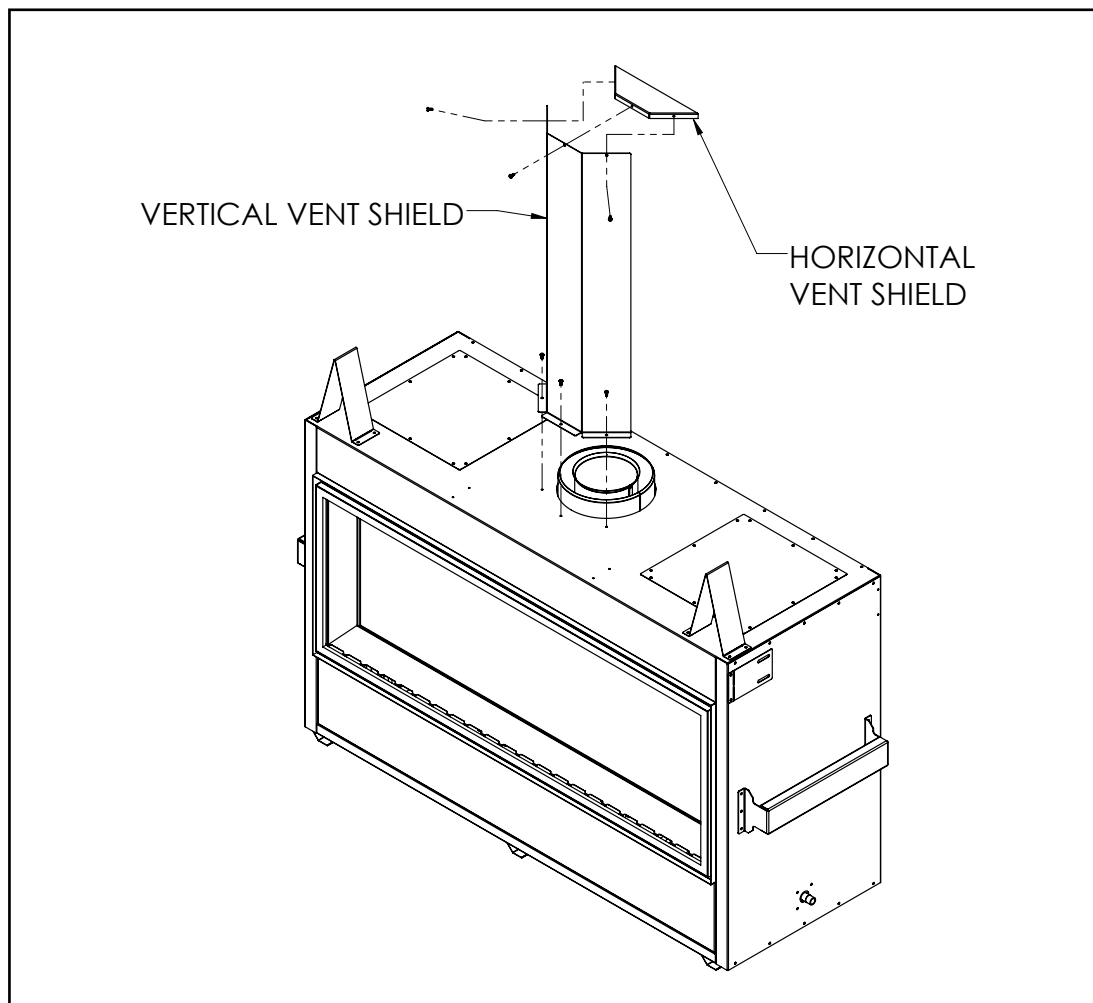
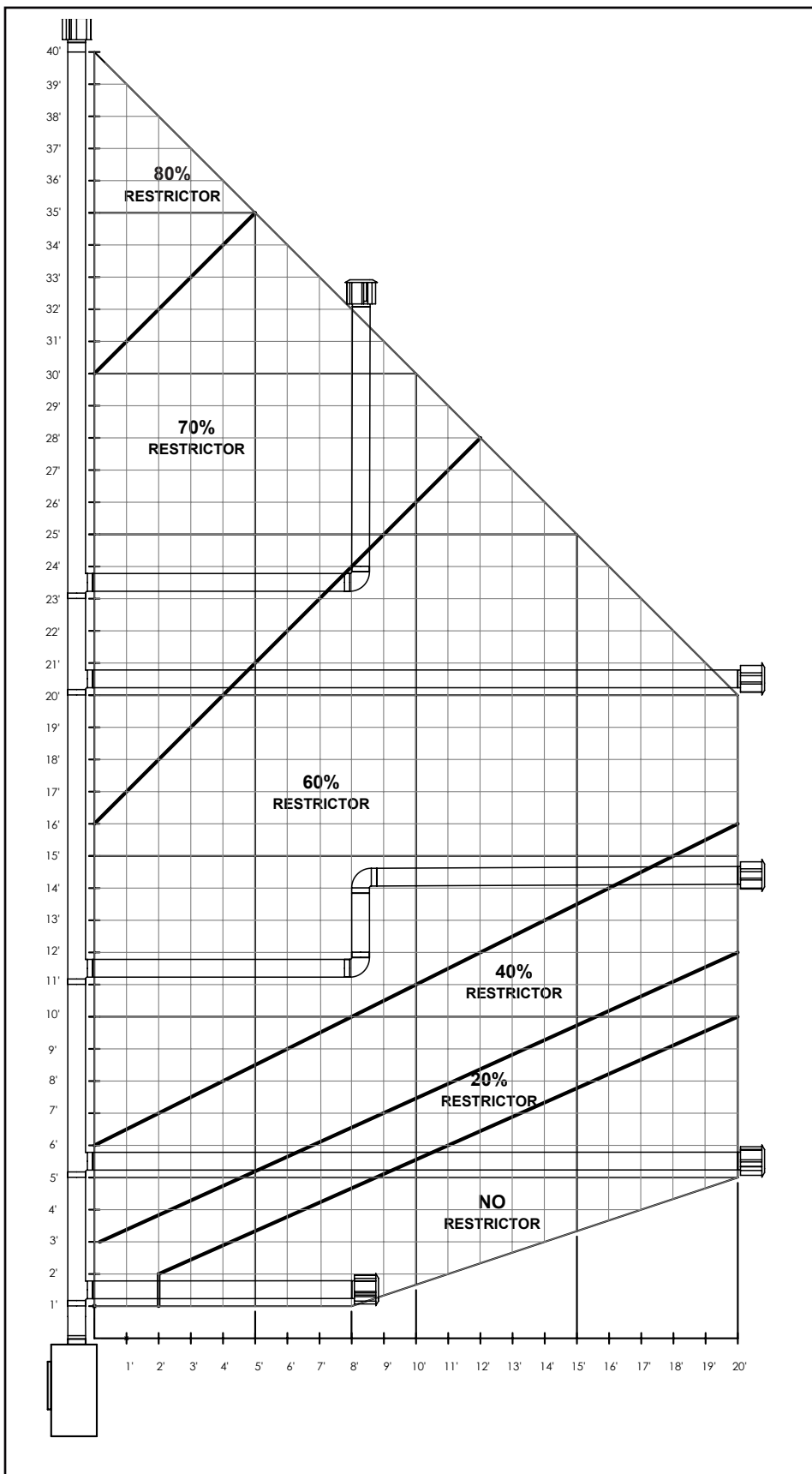


Figure 35: Vent Pipe Shield

# Natural Gas Venting Chart

This chart shows a range of venting options using either vertical or horizontal terminations.



Any combination of rise and run can be used but must be constrained to the boundaries of this chart. The total vent length can not exceed 40 feet (12.2m) and the horizontal vent pipe can not exceed 20 feet (6.1m).

A maximum of four (4) 90° elbows or combination of other elbows equaling 90° can be used without reducing horizontal run. For each additional 90° elbow, or an equal combination of elbows, reduce horizontal vent run by 2 feet. Having the fewest number of elbows is ideal as they tend to restrict vent flow.

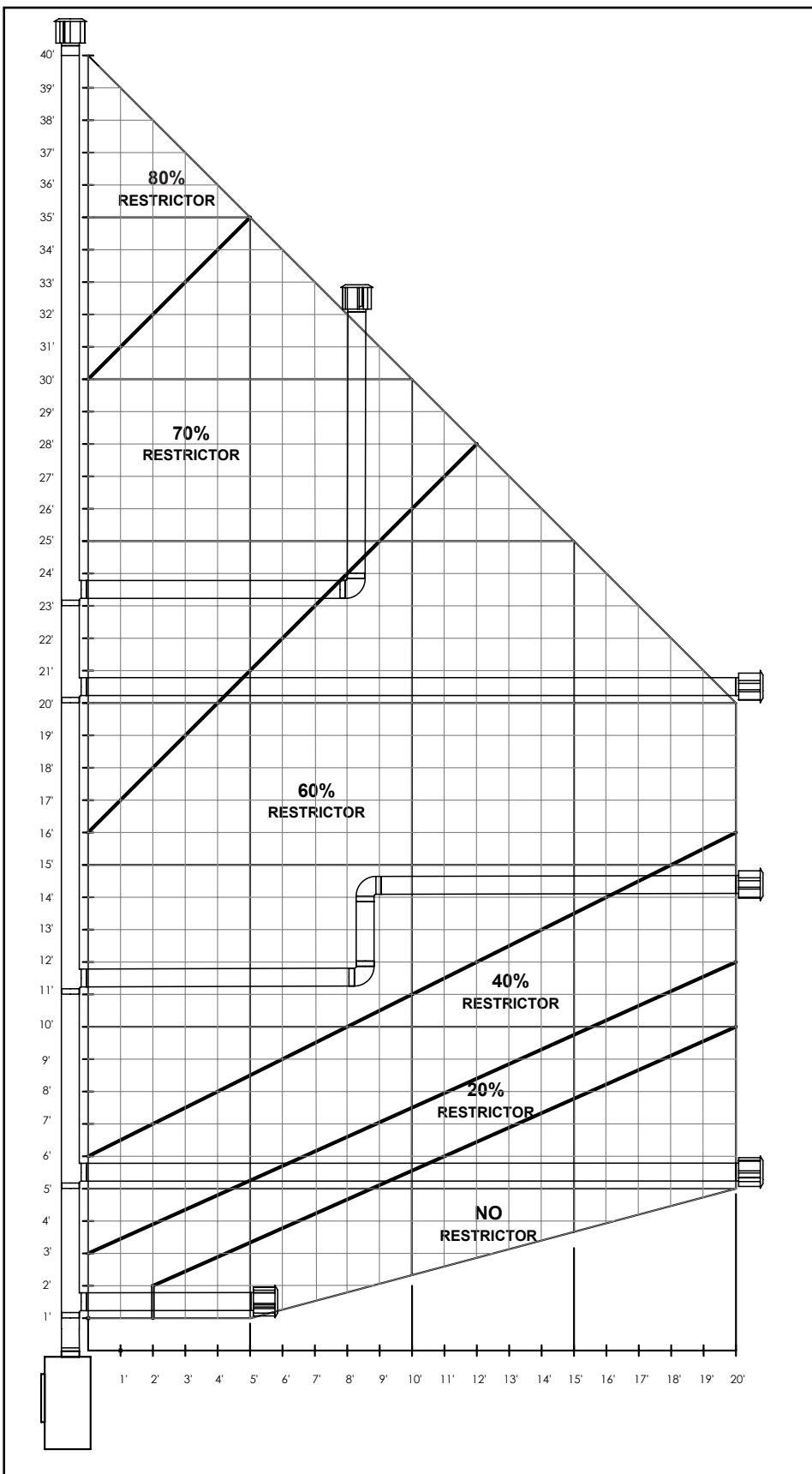
Ensure vent pipe is properly supported. Consult the Vent Pipe manufacturer's installation instructions.

**Note: The unit is shipped with 5 restrictor rings. Depending on the vent configuration, one of these rings may need to be installed to achieve proper operation and flame appearance. See Vent Restrictor section in this manual.**

**Caution: Allow ample time for the unit to cool before installing or changing a restrictor rings.**

# Propane Venting Chart

Once the fireplace has been converted to Propane use this venting diagram.



Any combination of rise and run can be used but must be constrained to the boundaries of this chart. The total vent length can not exceed 40 feet (12.2m) and the horizontal vent pipe can not exceed 20 feet (6.1m).

A maximum of four (4) 90° elbows or combination of other elbows equaling 90° can be used without reducing horizontal run. For each additional 90° elbow, or an equal combination of elbows, reduce horizontal vent run by 2 feet. Having the fewest number of elbows is ideal as they tend to restrict vent flow.

Ensure vent pipe is properly supported. Consult the Vent Pipe manufacturer's installation instructions.

**Note: The unit is shipped with 5 restrictor rings. Depending on the vent configuration, one of these rings may need to be installed to achieve proper operation and flame appearance. See Vent Restrictor section in this manual.**

**Caution: Allow ample time for the unit to cool before installing or changing a restrictor rings.**

# Vent Restrictor

The fireplace comes with 5 different Vent Restrictor rings. It may be necessary to install a restrictor in the outlet of the firebox to control the amount of combustion air and to correct flame appearance.

To install the vent restrictor ring, the Safety Screen assembly and Glass Door must be first removed. See Safety Screen and Glass Door Removal section in this manual.

Undo the two front retaining bolts that attach the outlet cover plate. Pull down at the front and remove plate to expose firebox outlet.

Select a restrictor size as per the vent charts on the previous page. The amount of restriction shown in the charts is based on laboratory tests and should be used only as a guide. The ideal restrictor size may vary slightly, especially when the vent pipe length is near the limits of the acceptable configurations for each type of restrictor.

Position the vent restrictor to the underside of the firebox top and fasten in place using bolts supplied.

Reinstall the vent outlet cover plate.

Reinstall the Glass Door and Safety Screen.



Figure 36: Vent Restrictor Cover Attachment



Figure 37: Cover Plate Removal

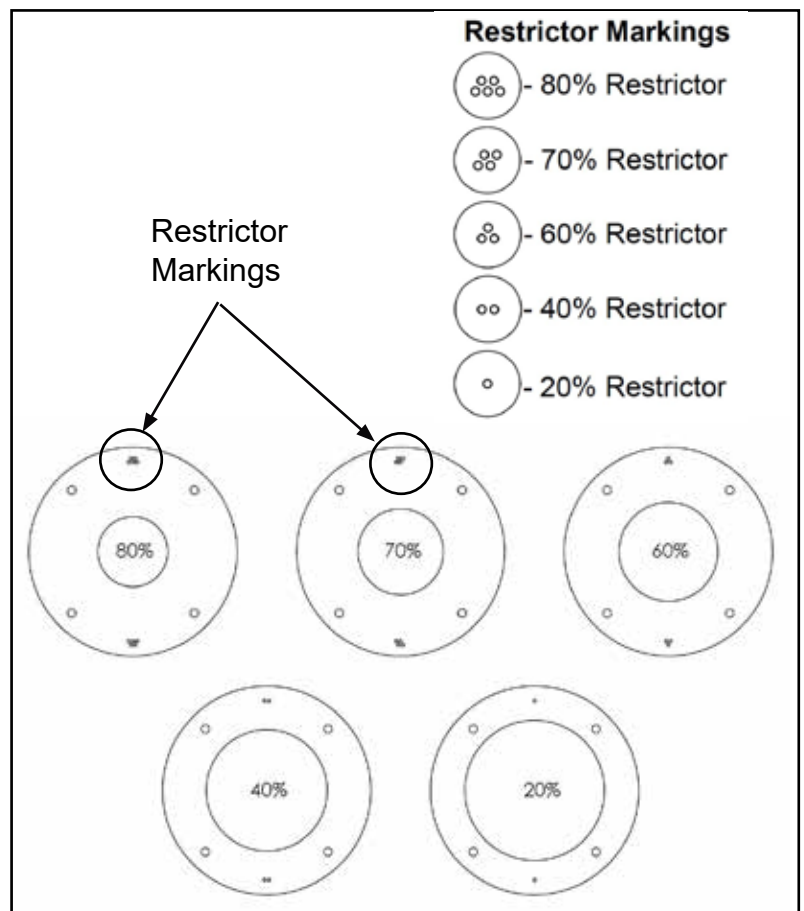


Figure 38: Vent Restrictor Discs



---

# Flooring Requirements

This fireplace may be installed directly on a combustible floor. If the fireplace is to be installed directly on carpeting, combustible floor tile or other combustible material other than wood flooring, the appliance shall be installed on a metal or wood panel extending the full width and depth of the unit.

This fireplace may also be installed onto a raised platform above the floor. The platform must be solidly built to support the appliance. The platform must be continuous, extending the full width and depth of the unit.

If a hearth extension is desired, combustible material may be used.



**Caution: While a hearth extension is not required and combustible flooring materials may be brought directly up to the fireplace, many materials (such as wood flooring) may not tolerate the radiant heat from this fireplace, resulting in discoloration, shrinking and cracking. For this reason, we suggest a non-combustible hearth in front of the fireplace.**

# Propane Conversion



**Caution:** The gas supply shall be shut off prior to disconnecting the electrical power, before proceeding with conversion.

**Use only kit # 12180011 to convert the fireplace from Natural Gas to Propane. This kit comes with a Propane Burner Orifice (EV), and a Propane Stepper Motor Pressure Regulator assembly. Do not use any other components.**

To switch the Stepper Motor pressure regulator assembly, follow the SIT instructions that are provided with the conversion kit.

To change the burner orifice and adjust the pilot orifice Slider Strip, follow the instruction below:

**Proceed only when the fireplace has completely cooled down.**

1. Remove the Safety Screen and set aside. See "Safety Screen Removal" section in this manual.
2. Remove the Glass Door assembly and set aside. See "Door Removal" section in this manual.
3. Remove any burner media that may be installed.
4. Remove the four burner plates, one in front and one in behind the burner and one at each side of the burner.
5. Remove the front filler strip and set aside.
6. Remove the three screws for securing the burner air deflectors on each side of the burner.
7. Next, remove the six screws retaining the burner in place, 3 along the front edge and 3 along the back edge. Once removed, slide the burner to the left to disengage the venturi tube from the orifice housing and remove burner.



Figure 39: SIT Instructions.

**Note: Factory supplied components must be used to ensure correct input. After conversion has been completed, confirm proper manifold pressure. See Gas Pressure Testing section.**

## WARNING

This conversion kit shall be installed by a qualified service agency in accordance with the manufacturer's instructions and all applicable codes and requirements of the authority having jurisdiction.

If the information in these instructions is not followed exactly, a fire, explosion or production of carbon monoxide may result causing property damage, personal injury or loss of life.

The qualified service agency is responsible for the proper installation of this kit.

The installation is not proper and complete until the operation of the converted appliance is checked as specified in the manufacturer's instructions supplied with the kit.

8. After removing the burner you will have full access to the burner orifice which is located inside the primary air box on the bottom of the burner tray. See Figure 40.

9. Remove the burner orifice with a 7/16" deep socket and replace it with the one that came with the kit (Marked EV). Before installing the new orifice, apply a thread sealant to the new orifice to ensure a proper seal when installed.

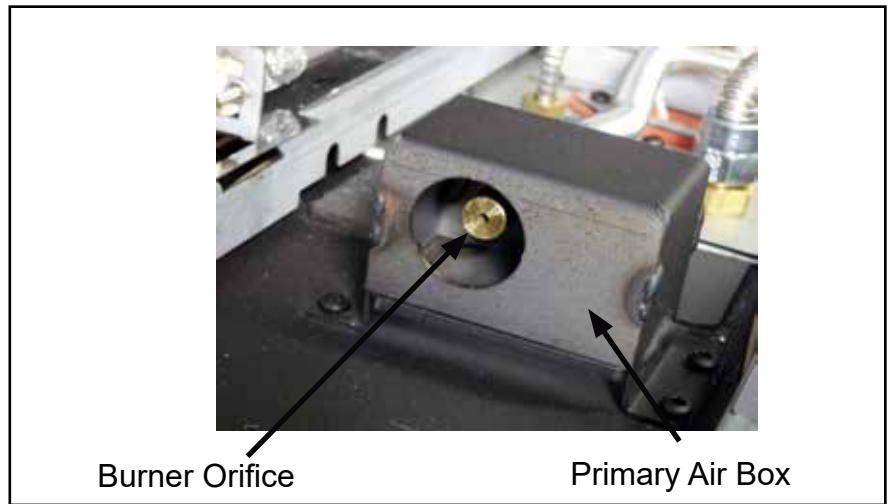


Figure 40: Burner Orifice Location

10. Using your hand pull the pilot head straight up (Figure 41). Caution do not bend or pry against the two electrodes.

11. Unscrew the pilot orifice and remove (4mm Hex Key) Figure 42. Replace with the LP Pilot Orifice provided with the kit, Figure 43 screwing it back in until snug.

12. Install the pilot head by lining up the ports and then pressing down, this may require a slight wiggling movement to seat. Make sure the locking spring is in the correct location over top of the hex on the pilot body Figure 44.



Figure 41: Pilot Head Removal.

13. Open the primary air inlet. Make final primary air adjustments after the fireplace has been lit for about 15 minutes.

14. Reinstall burner and its components, in reverse order.



Figure 42: Pilot Orifice Removal.



Figure 43: Pilot Orifice.



Figure 44: Pilot Head Locked.

# Gas Supply

**⚠ Caution:** The gas supply line should be installed by a qualified service person in accordance with all building codes. This section is intended as a guide for qualified technicians installing this fireplace. Consult local and/or national building codes before proceeding.

A gas supply inlet pipe nipple is located on the right side of the fireplace near the bottom edge. The pipe nipple accepts a 3/8" N.P.T. fitting.



Figure 45: Gas Supply Inlet.

**NOTE:** A sediment trap, as per national fuel gas code, must be installed in the gas supply line no more than 6 feet from the gas control valve to minimize the possibility of any loose scale or dirt within the gas supply line from entering the gas control valve.

A manual gas shutoff valve is located inside the lower right-hand side of the fireplace just below the firebox. It is accessible for service by removing the Safety Screen.

Some local codes may require an additional manual gas shutoff valve, in a more readily accessible area, located upstream from the appliance.

The fireplace input rating is shown in the chart below.

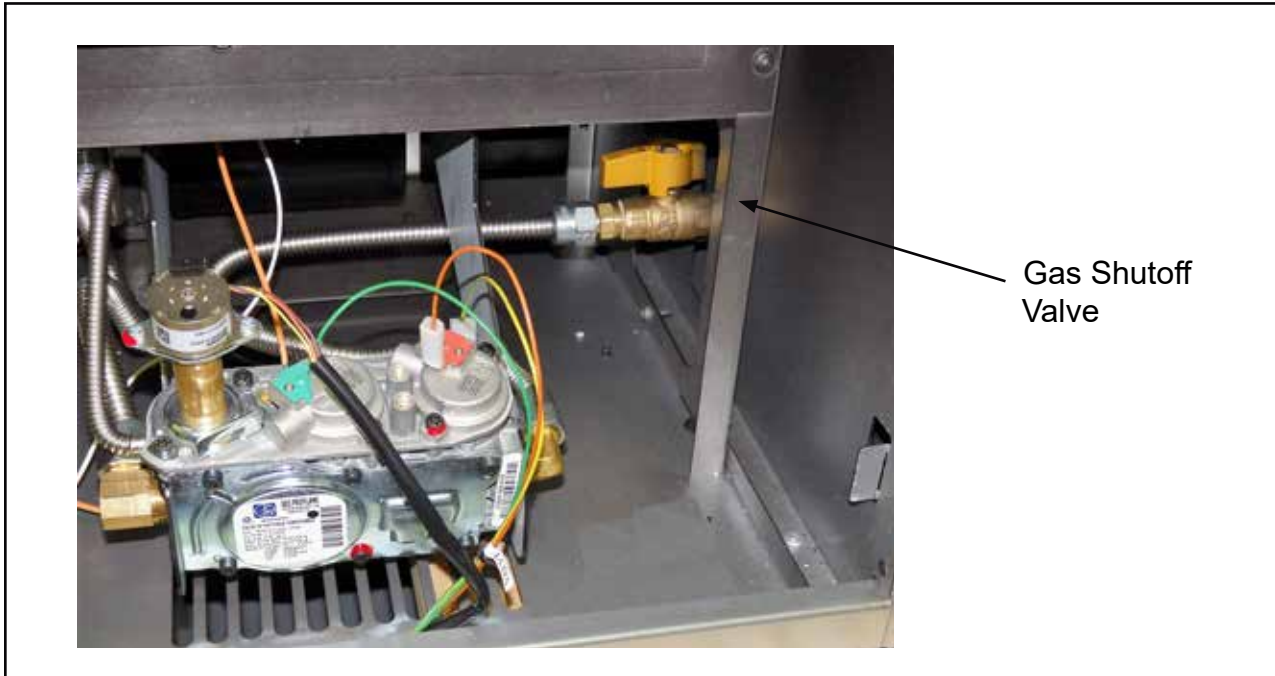


Figure 46: Gas Shutoff Valve.

|                     |         | Natural Gas              | Propane                  |
|---------------------|---------|--------------------------|--------------------------|
| <b>Input rate</b>   | Maximum | 38,000 btu/hr (11.14 kW) | 38,000 btu/hr (11.14 kW) |
|                     | Minimum | 26,000 btu/hr (7.62 kW)  | 29,000 btu/hr (8.50 kW)  |
| <b>Orifice size</b> |         | EU                       | EV                       |

**Correct gas line diameter must be used to assure proper gas pressure and operation.**

Turn on the gas supply and check that all connections are gas tight and leak free.

The gas control valve is equipped with captive screw type pressure test ports, therefore it is not necessary to provide an 1/8 inch N.P.T. plugged tapping pressure port for checking gas pressure immediately upstream of the gas supply connection to the appliance.

Check local codes for additional requirements.

# Electrical Connection

Electrical connections should be performed by a qualified electrician as per local electrical codes.

**This fireplace, when installed, must be electrically grounded in accordance with local codes or, in the absence of local codes, with the National Electrical Code, ANSI/NFPA 70, or the Canadian Electrical Code, CAN/CSA C22.1.**

**Incorrect wiring will damage controls.**

This fireplace requires a 120V A.C. power supply for proper operation. The four (4) “AA” alkaline batteries in the Battery Holder box located next to the gas controls are there for power outage backup. During a power outage, the fireplace will continue to operate under battery power for up to two weeks. Battery life will vary with the number of times the fireplace is used during the outage.

However, the built in accent lights, the optional ember lights and the optional convection air blowers require 120V A.C. power to operate and will not work if power is lost.

**Electrical Requirements: 120 VAC, 60 Hz, 3 amp**

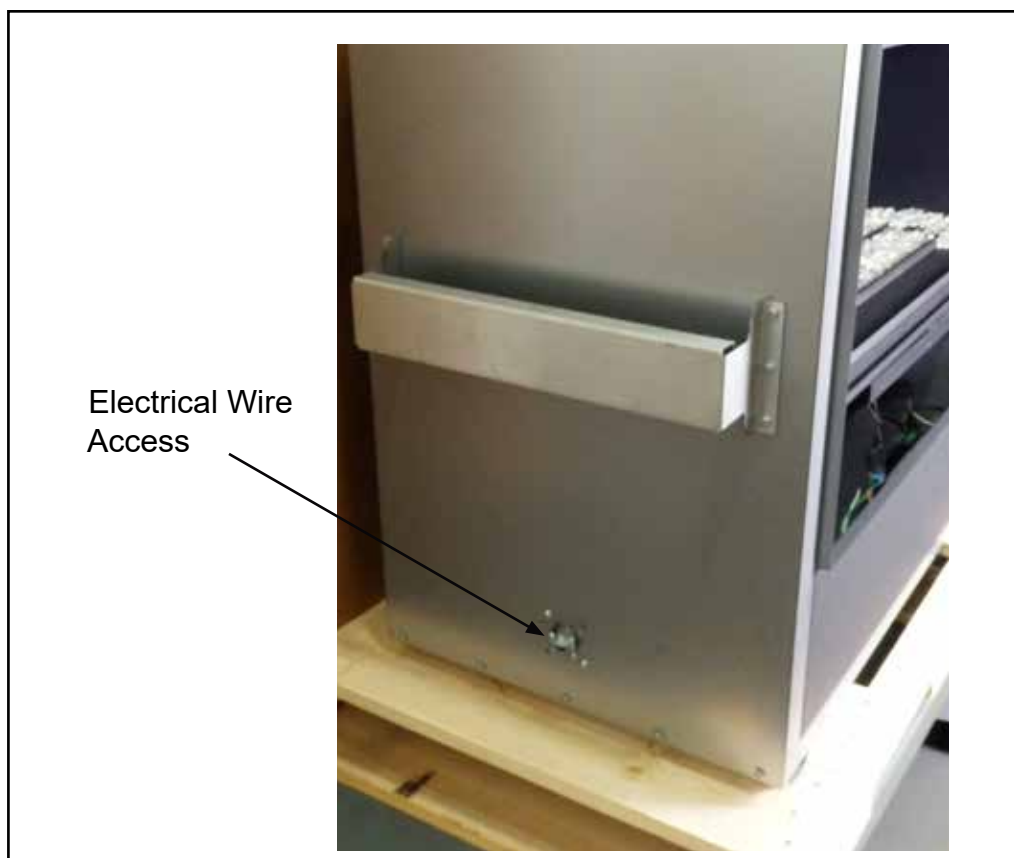


Figure 47: Electrical Wire Inlet.

Route an appropriately sized electrical wire through the wire strain relief on the left side of the fireplace, near the bottom edge. See Figure 47  
Extend the wire all the way to the electrical box located inside the fireplace below the firebox. Make the connection inside the electrical junction box.

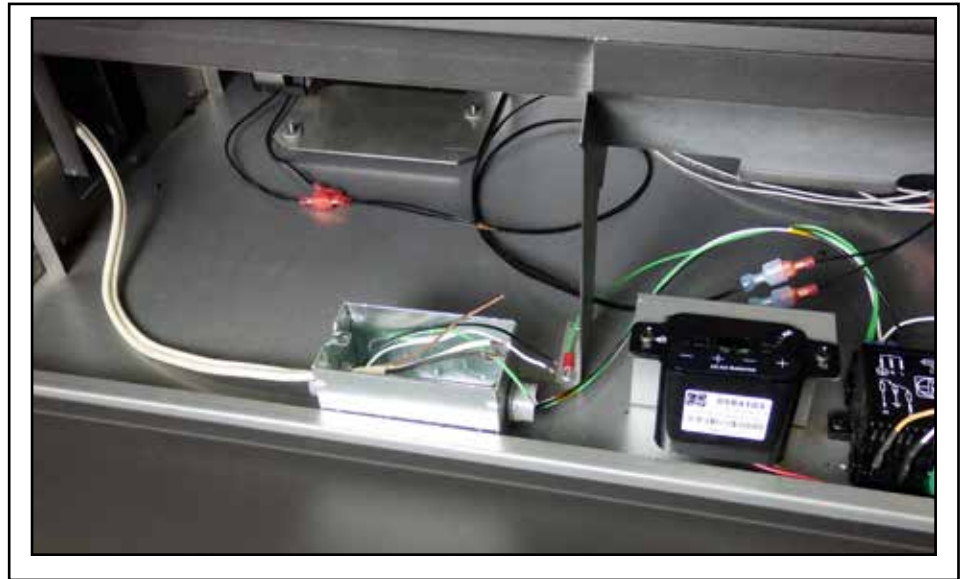


Figure 48: Electrical Junction Box.

**Note: In some homes, the spark ignition of the fireplace may cause intermittent, non-damaging, TV signal interference during the fireplace lighting sequence if the TV is plugged into the same electrical circuit. It is recommended that the fireplace and TV use different circuits to mitigate the interference potential. If interference is occurring on the same circuit, the use of surge protectors may help alleviate the interference.**

# Safety Screen Assembly Removal

 **Warning: Turn off the fireplace and allow ample time for the unit to cool before proceeding.**

A safety screen is installed at the factory to protect its users from the dangers of the hot glass behind it.

The screen assembly rests in place on four posts. To remove, grasp the sides of the frame assembly and lift up and off the mounting posts and out to clear the fireplace.

To replace the safety screen simply reverse the order.

 **WARNING: Never operate the fireplace with the safety screen removed.**

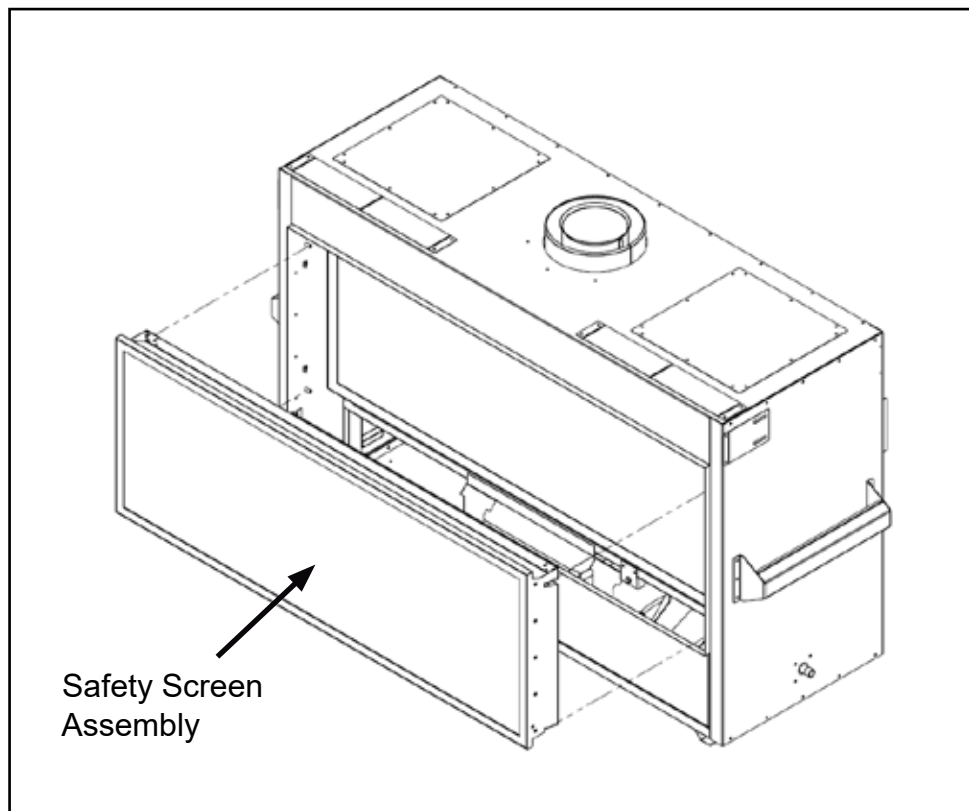


Figure 49: Safety Screen Assembly

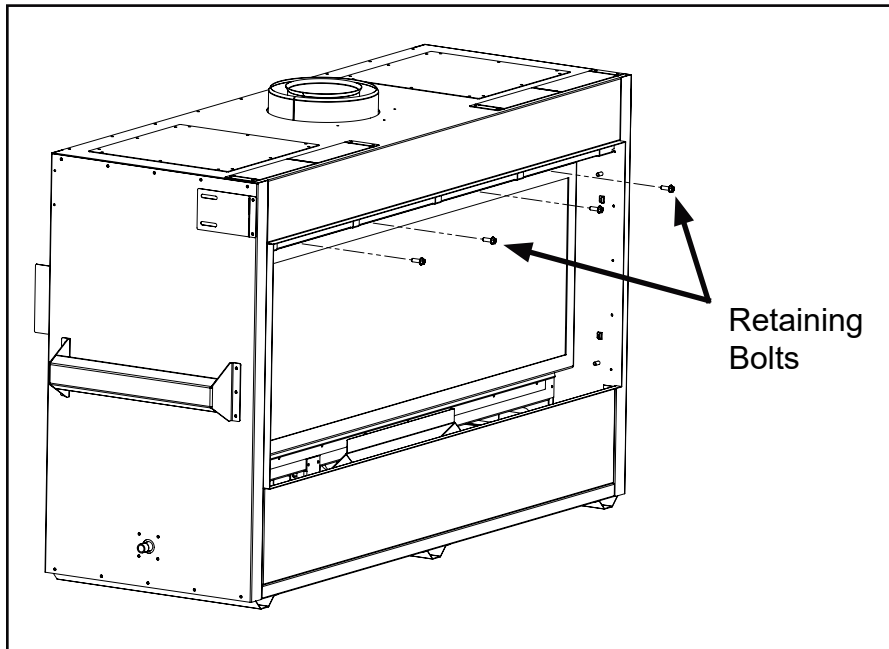


# Glass Door Removal:



**Caution:** The ceramic glass is very fragile and should be handled with care

The glass door is held in place with 4 bolts across the top and a track across the bottom.



Remove the 4 bolts across the top of the door using a 3/8 socket.

Figure 50: Glass Door Retaining Bolts

Once removed, tilt the top of the glass door out to clear the top edge of the unit. Grasp the sides of the frame and lift up and out to disengage from the bottom track.

Place the door in a safe place to avoid damage.

To replace the door simply reverse the order; do not over tighten the bolts or they may strip.

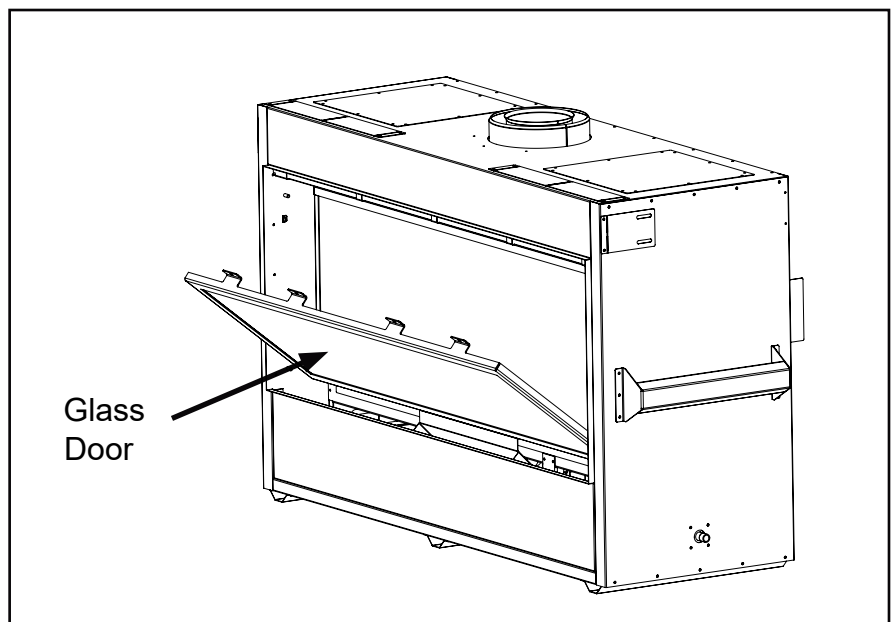


Figure 51: Glass Door



**WARNING:** Never operate the fireplace with the glass door removed.

# Gas Pressure Testing Procedure

**Caution:** Turn off the gas supply to the appliance before loosening test port screws. A gas supply shut-off valve is located just below the firebox and to the right hand side of the fireplace. See Figure 46.

Remove Safety Screen assembly and set aside. See "Safety Screen Removal" section in this manual.

Locate the valve just below the firebox and to the right.

The gas control valve is equipped with captive screw type pressure test ports. Locate the inlet and outlet test ports on top of the gas valve as shown in Figure 54.

Loosen one of the captive screws 1/2 a turn with a small flat screwdriver.

Attach pressure gauge to the open test port.

Turn gas supply back ON and light the fireplace.

**Note: Both Inlet and Manifold(Outlet) gas pressures must be measured with the fireplace lit and at the highest setting.**

After testing is finished turn off gas supply, remove the pressure gauges and tighten the captive screws in the test port.

Repeat the procedure for the other test port.

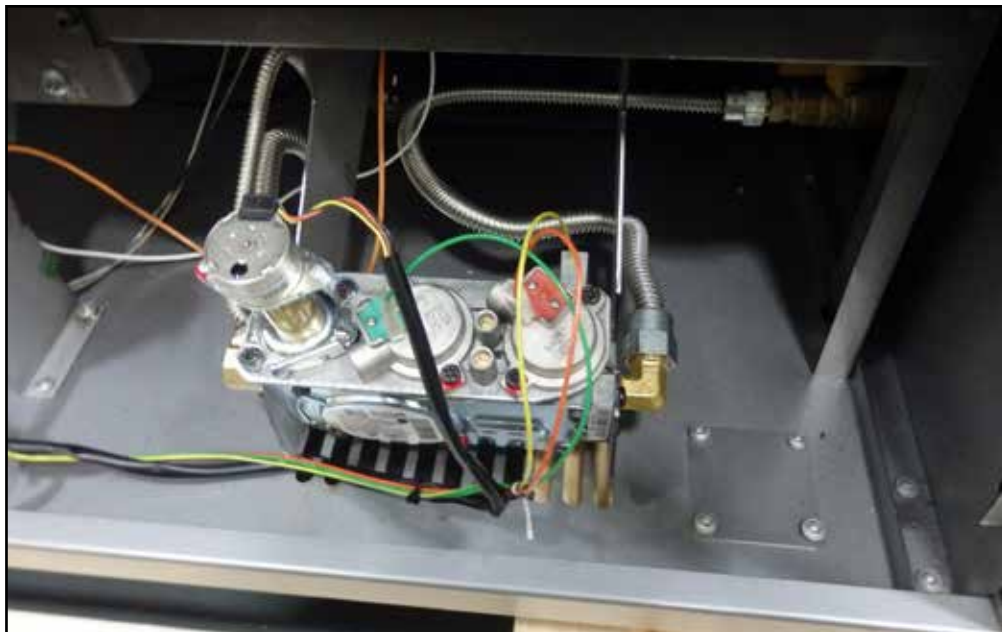


Figure 52: SIT gas control valve location

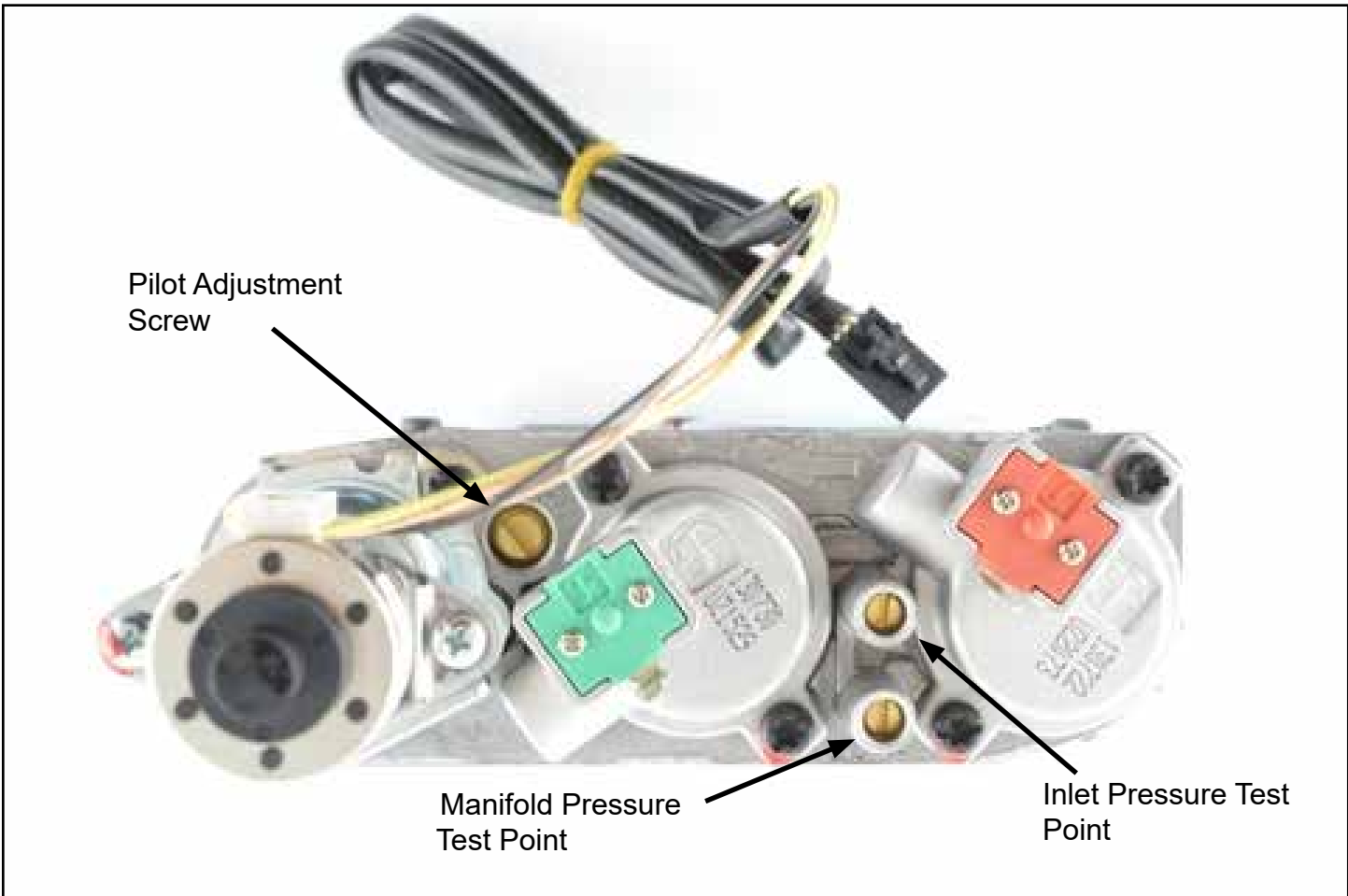


Figure 53: SIT gas control valve

| <b>Gas Pressure Requirements</b>             |                     |                     |
|--|---------------------|---------------------|
|  | <b>Natural Gas</b>  | <b>Propane</b>      |
| <b>Supply Pressure</b>                       |                     |                     |
| Minimum<br>(For purpose of input adjustment) | 5.0" wc (1.25 kPa)  | 12.5" wc (3.11 kPa) |
| Maximum                                      | 13.9" wc (3.45 kPa) | 13.9" wc (3.45 kPa) |
| <b>Manifold Pressure</b>                     |                     |                     |
| High   | 3.5" wc (0.87 kPa)  | 10" wc (2.49 kPa)   |
| Low  | 1.6" wc (0.40 kPa)  | 6.4" wc (1.59 kPa)  |

# Media Tray Cover Plates Installation

The Media Tray Cover Plates are shipped with the fireplace. The kit consists of 4 flat steel panels, two short and two long panels. They are to cover the perforated mesh surrounding the burner. If an Optional Light Kit is installed, do not use the panels to cover the perforated mesh as they will block any light coming up through the Glass Media.

1. Place the short panel with the notch for the pilot on the right side of the burner.
  2. Place the other short panel on the opposite end of the burner.
  3. Place the wider long panel across the back behind the burner.
  4. Place the narrow long panel in front of the burner.
- (The front and back long panels have approximately 1/2" difference in width.)

**Note: Correctly placed, all 4 panels should be flush with each other and butted up tight to each other. Do not install panels if the optional Light Kit has been installed.**

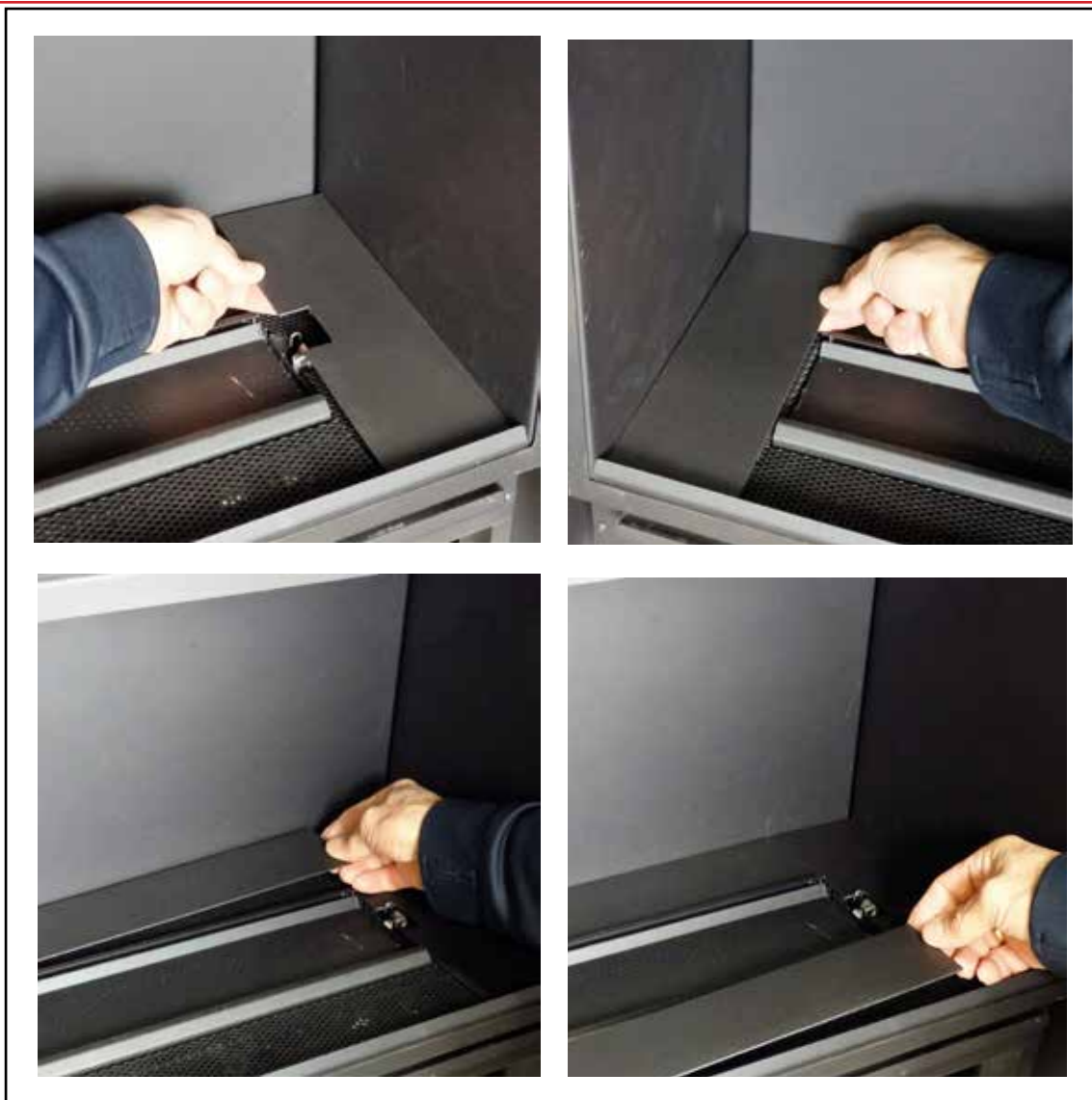


Figure 54: Media Tray Cover Plates Installation

# Glass Media Installation

There are two bags of crushed glass media supplied with the fireplace. The smaller bag is to cover the burner directly, and the other larger bag is for the area surrounding the burner. You will have left over Glass Media.

Spread a single layer of crushed glass media over the entire burner surface. Too much crushed glass covering the burner can cause sooting and affect flame appearance.

If desired, spread additional glass media to decorate the area surrounding the burner.

**NOTE: Do not block the air gap between the burner air deflectors and the burner with glass media.**



Figure 55: Spreading Glass Media



Figure 56: Crushed Glass Media in Burner Tray

**Note: If the Optional Light Kit has been installed, the perforated mesh area surrounding the burner must be covered with crushed glass and not the Burner Panels. Remove panel first. This will allow light through.**



Figure 57: Crushed Glass Media around burner

# Primary Air Adjustment

The fireplace has a conveniently located primary air adjustment screw mechanism and is easily accessible and adjustable without having to remove the glass door. The adjustment screw controls the primary combustion air to the gas burner.

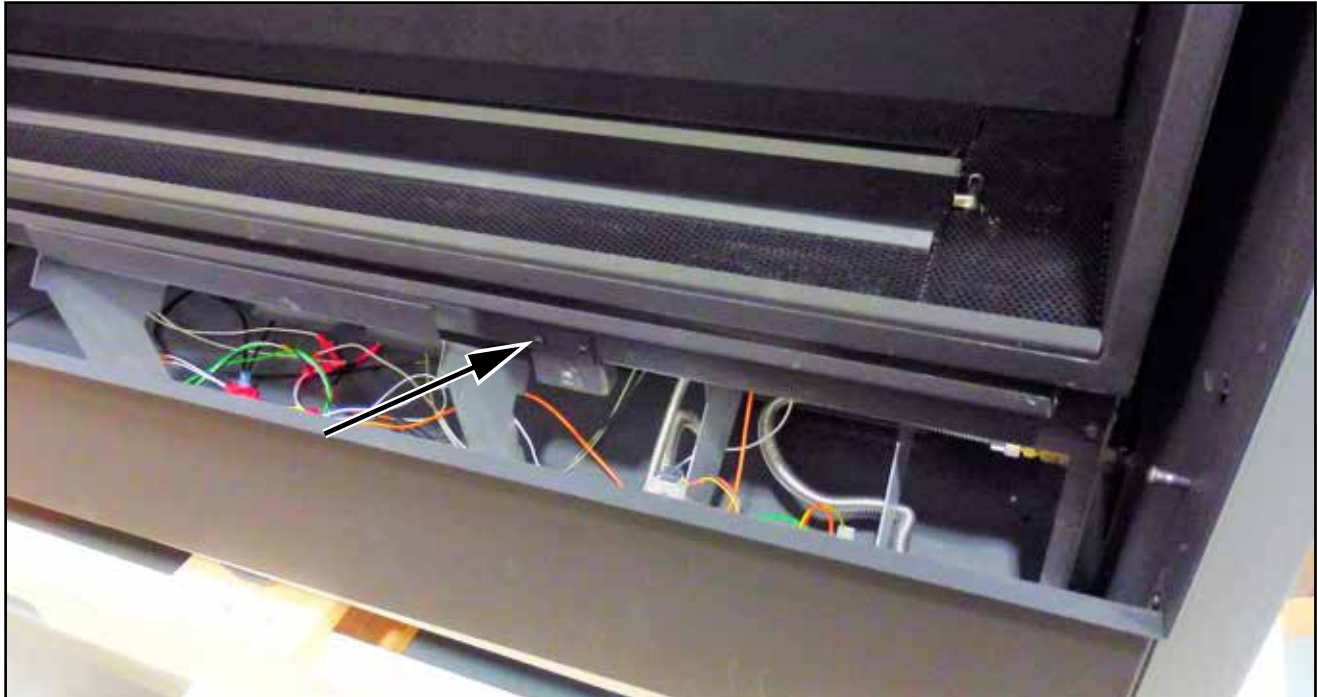


Figure 58: Primary Air Adjustment Location

**Note: The primary air is pre-set closed at the factory for Natural Gas fuel. Some adjustment may be necessary to obtain desired flame and to eliminate carbon deposits. Evaluate flame appearance after the fireplace is lit and has reached operating temperature. Propane fueled models require the primary air to be adjusted to a wider opening.**



**Caution: Burner area may be hot! Turn OFF the fireplace and allow the unit to cool before proceeding.**

To adjust primary air:

With the fireplace OFF and cool to touch, remove the Safety Screen to access the adjustment screw. See "Safety Screen Removal" section in this manual.



Turn ON the fireplace and allow it to reach operating temperature before adjusting. Rotate the Primary Air Adjustment screw clockwise to close or counter-clockwise to open or increase the amount of primary air. See Figure 59.

Figure 59: Primary Air Adjustment

Open primary air shutter if the burner media, logs, viewing glass, and/or the firebox have carbon accumulation and/or the flames are long, dark and stringy. Close if the flame is straight, blueish and transparent.

Reinstall the Safety Screen back into its original position.



Figure 60: Burner Flame.

# Optional Fan Kit

The optional Comfort Fan kit contains two blowers. Both blowers mount below the firebox and are powered by the gas control module. Turning the blowers ON and OFF and changing their speed is done with the fireplace remote control.

**Note: The Optional Fan Kit can be installed and serviced after the fireplace is fully installed. (See page 50) It is easier to install the kit before the front of the fireplace is covered with finishing material.**

## Installing the Optional Fan Kit:

1. Remove the Safety Screen and set aside. See "Safety Screen Removal" section in this manual.
2. Remove the Glass Door assembly and set aside. See "Door Removal" section in this manual.



Figure 61: Front Access Panel Removal

3. Remove the front access panel by removing the two screws, one at each end just behind the top edge. Tilt the top of the panel out and lift off the fireplace. This will allow easy access to mount the optional blower kit.

4. There are two mounting plates with three posts in each located on the right and left rear of the cabinet floor.

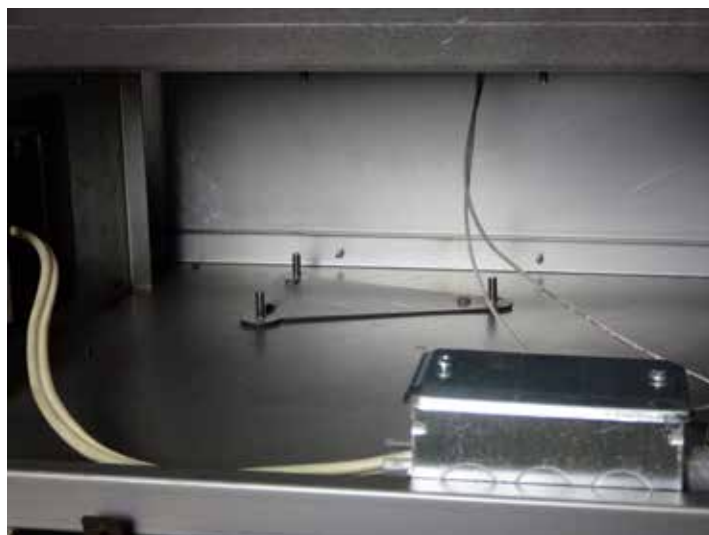


Figure 62: Optional Fan Mounting Points



5. Connect the wires from the module to the right side blower first then install the right side blower over top of the mounting posts so that the rubber grommets in the fan brackets fit over top of the three posts. Place the left side blower over the other plate with the three posts. Fastening the blowers in place is not required, as they will remain in place by gravity



Figure 64: Placing Left Fan in Place

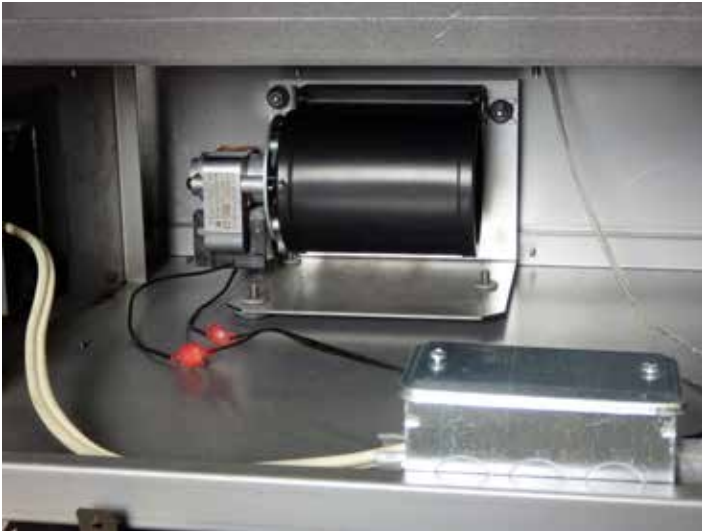


Figure 63: Left Fan in Place

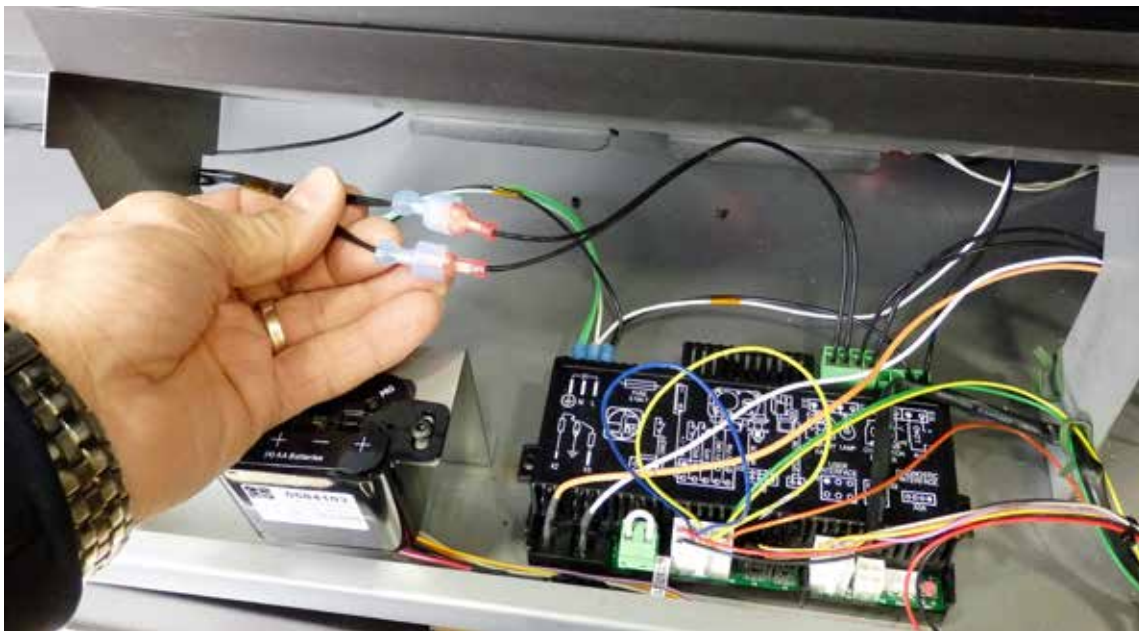


Figure 65: Optional Fan Wiring

6. Connect the paired wires from the blowers to the black wires from the module as shown in Figure 65.
7. Re-install the front access cover, Glass Door and Safety Screen in reverse order.

## Installing the Optional Fan Kit after unit is fully installed:

1. Remove the Safety Screen and set aside. See "Safety Screen Removal" section in this manual.
2. Remove the Glass Door assembly and set aside. See "Door Removal" section in this manual.

3. Remove the Glass media or Log Set if installed. Figure 66.

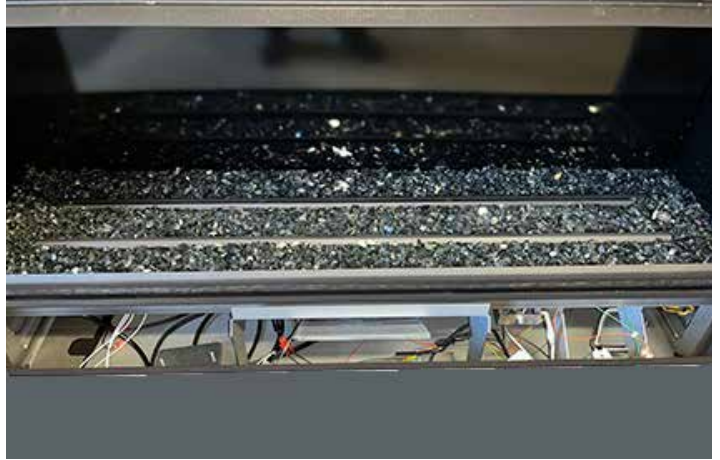


Figure 66: Media Removal



Figure 67: Burner panel Removal

4. Remove the burner panels and perforated burner panels from around the burner. Figure 67.

5. Remove the screws securing the front and rear air deflectors to the burner. (three each). Figure 68 Lift the deflectors out of the unit and set aside.



Figure 68: Air Deflector Removal

6. Remove the screws securing the front and rear of the burner.(three each). Figure 69. Lift the burner out of the unit and set aside.



Figure 69: Burner Removal

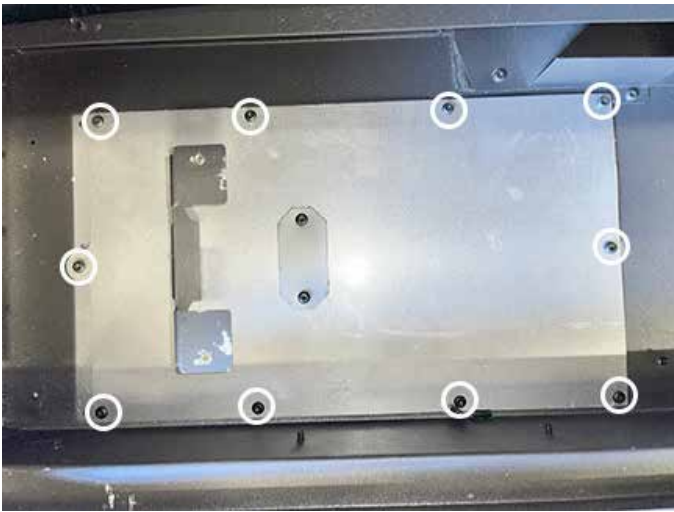


Figure 70: Left access cover removal.

8. Once the left access cover is removed you will see the blower mounting bracket on the bottom casing floor. Figure 71.

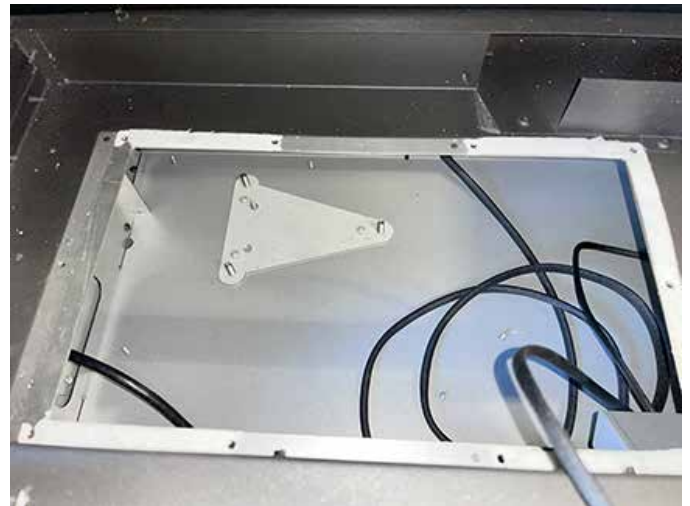


Figure 71: Left Blower mounting bracket

9. Disconnect the battery cable from the battery holder, then disconnect the motor control wires, the valve wire harness and the pilot wires from the module under the firebox. Figure 72.

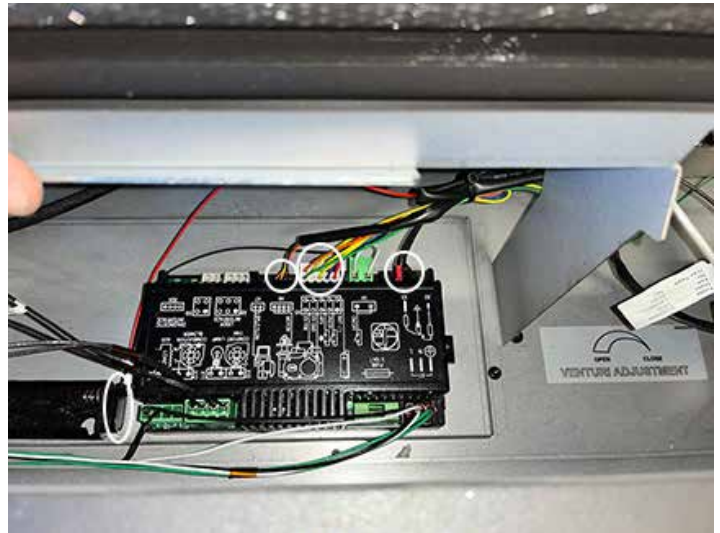


Figure 72: Disconnect module wires



Figure 73: Shut off gas

10. Turn the shutoff valve on the right side, under the firebox, to the up position to shut off the gas to the valve assembly. Figure 73.

11. Remove the ten screws securing the right side access panel to the firebox bottom. Figure 74.

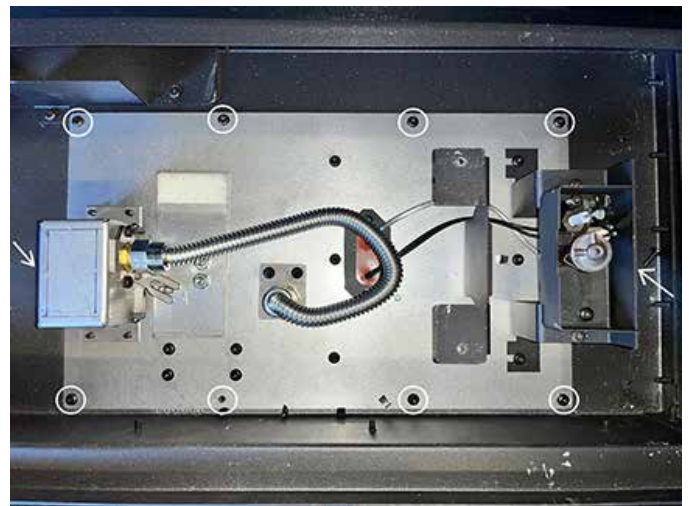


Figure 74: Right side access cover/Valve assembly

12. Lift the right access cover/valve assembly up and tilt it towards the front of the unit as you lift it out then rotate it and set it on the front edge of the firebox and the front edge of the casing as shown in Figure 75.



Figure 75: Right side access cover/Valve assembly placement



Figure 76: Right Blower mounting bracket

13. Once the right access cover/valve assembly is removed you will see the blower mounting bracket on the bottom casing floor. Figure 76.

14. Place both the Left and Right blowers into the bottom of the unit on the brackets as shown in Figure 77. Both blowers are placed in the same way with the motor to the left.

**Ensure the rubber grommets remain in the mounting brackets after sliding them onto the studs.**



Figure 77: Blower install

15. Take hold of the blower wires from the control module. The blower wires are the two wires coming from the right side of the green plug in the front of the module as shown in Figure 78.



Figure 78: Bower wires from module

16. Take the wire harness from the optional blower kit and connect the red connectors in the middle of the harness with two wires in each to the wires from the module. Figure 79.

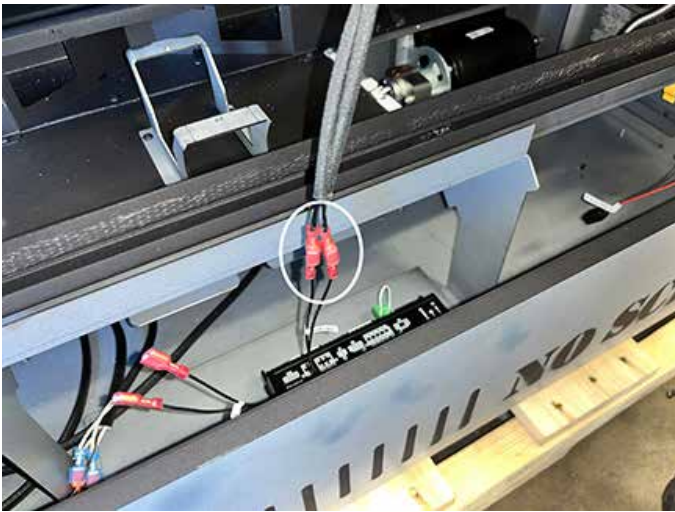


Figure 79: Blower wire harness connected

17. Route the wires from the harness behind the control module, under the heat shield and to each of the blowers. Connect the wires to each blower as shown in Figure 80.

18. Re-install the access covers, burner, burner air deflector, burner tray burner panels and media. Then re-install the Glass Door and Safety Screen in reverse order.



Figure 80: Blowers connected to wire harness

# Optional Light Kit

The Optional Light Kit is installed under the burner and powered by the gas control module. Turning the lights ON and OFF and dimming them is done with the fireplace Remote Control.

## Installing the Light Kit:

1. Remove the Safety Screen and set aside. See "Safety Screen Removal" section in this manual.
2. Remove the Glass Door assembly and set aside. See "Door Removal" section in this manual.



Figure 81: Media Tray Cover Plate removal

3. Remove the glass media if installed. Remove the four Media Tray Cover Plates, one in front, one in behind the burner, and one at each side of the burner. See Burner Panel Installation



Figure 82: Front Filler Strip

section in this manual.

4. Remove the front filler strip and set aside.



Figure 83: Mesh Base Covers

5. Next, remove the 4 pieces of mesh base covers. See Figure 83.
6. The burner air deflectors are held in place by 3 screws along the front edge and 3 along the back edge. Undo all 6 screws and remove media strips.
7. Next, remove the six screws retaining the burner in place, 3 along the front edge and 3 along the back edge. Once removed, slide the burner to the left to disengage the venturi tube from the orifice housing and lift to remove burner.



Figure 84: Burner Pan Removal



8. The ember lights wiring access hole is located on the left side of the firebox. Remove the two screws holding the small cover in place and remove cover.

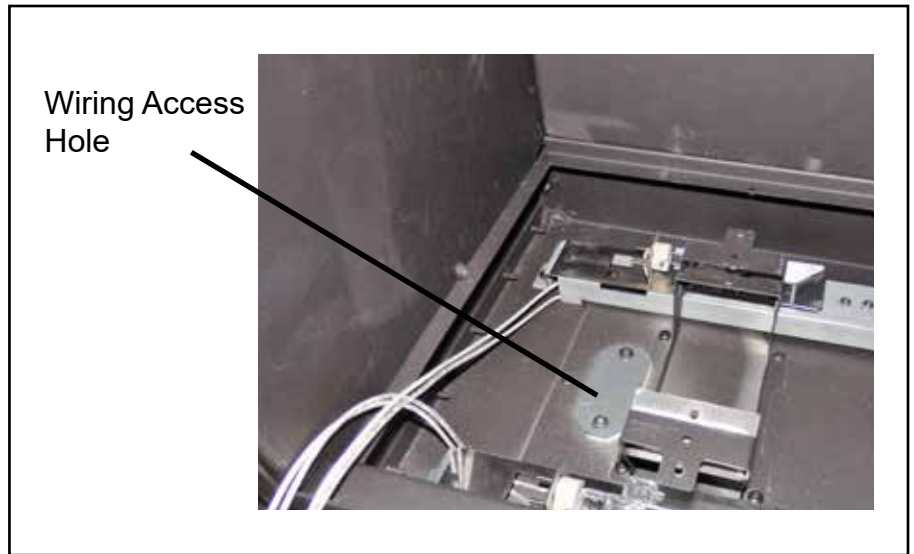


Figure 85: Burner Pan

9. The light kit has two banks of lights. One fits behind the burner brackets and one in front of the burner brackets. The screws for securing the lights in place are installed in the firebox bottom. Remove the screws prior to placing the light assemblies.
10. With the wires from the light assembly on the left, position both assemblies, one behind the burner brackets and one in front of the brackets. Fasten in place with screws provided. One screw at each end of each light assembly.

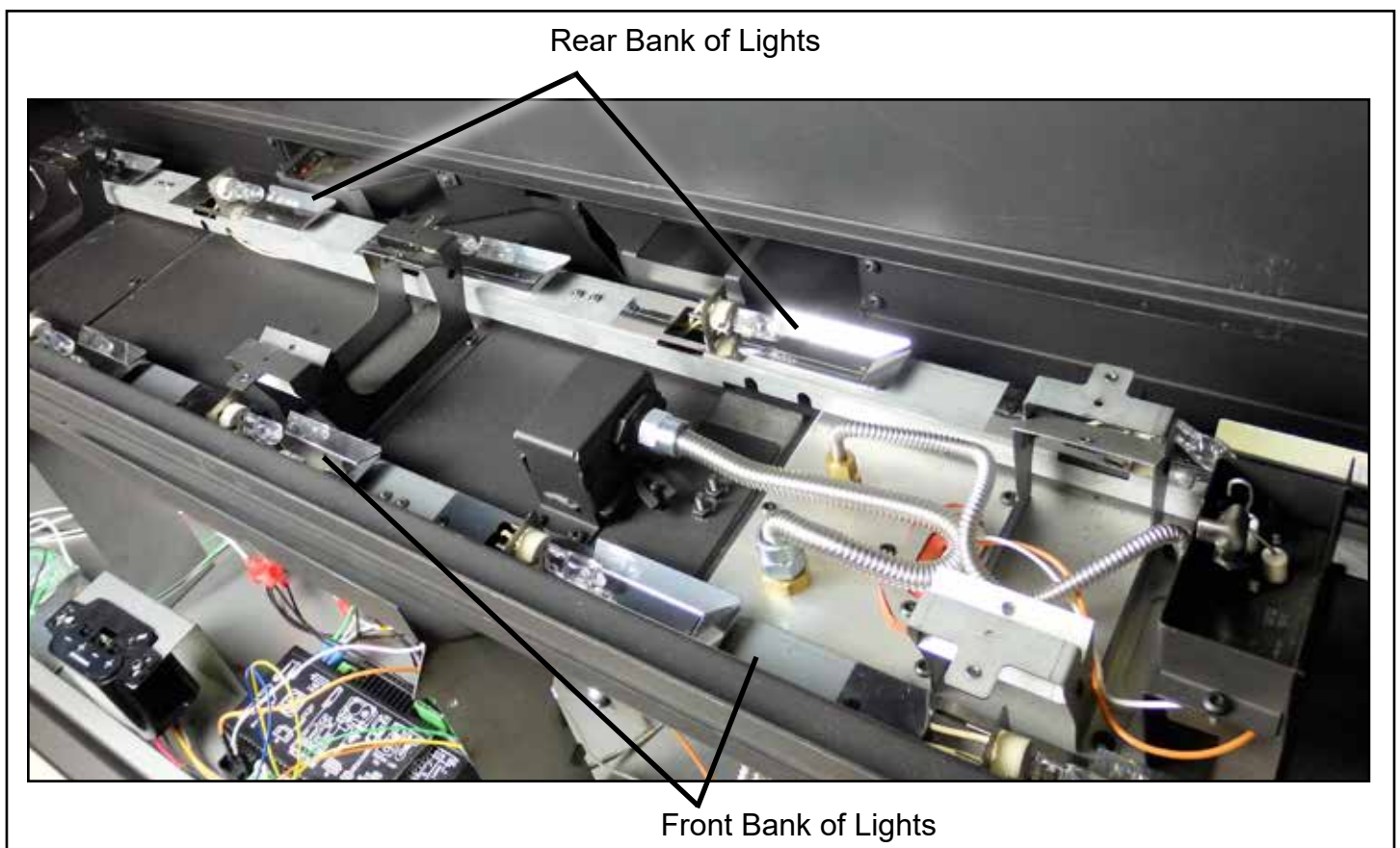


Figure 86: Burner and Media Tray removed

11. Feed the wires through the wire access hole opened previously. Once through, slide the pass-through cover with the red silicone gasket down the wire and over the access hole. Fasten in place with two screws.
12. Pull both sets of wires down through the hole into the space below the firebox.



Figure 88: Ember Light Wire Access Hole



Figure 87: Ember Lights Wiring Installed

13. Plug the wire extension into the black wires marked "Ember Lights" coming out of the control module. Keeping wire polarity is not required.
14. Re-install burner and burner parts in reverse order.

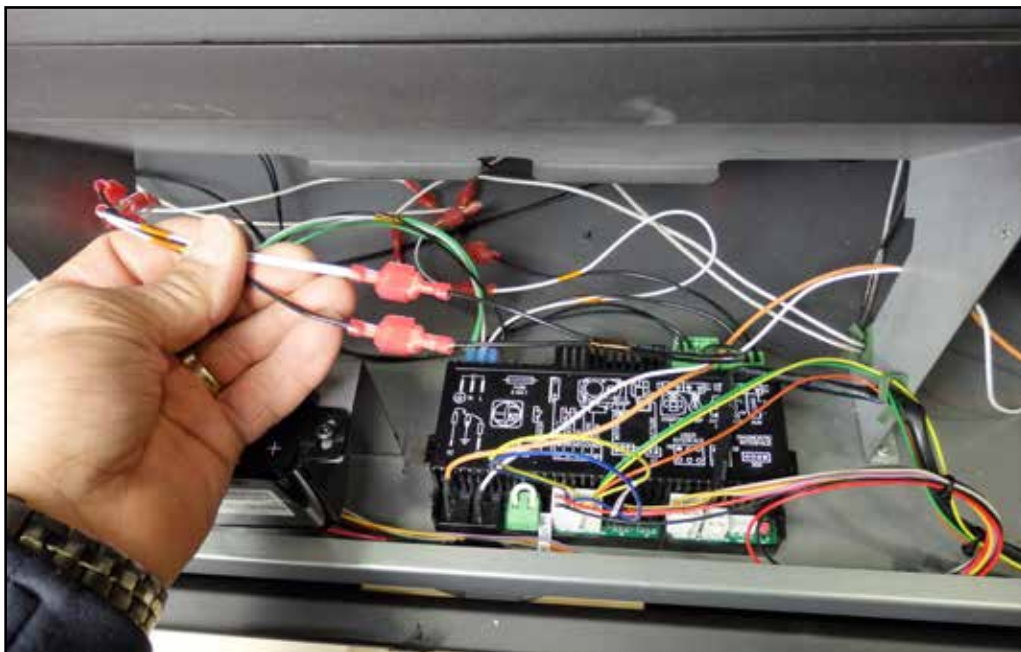
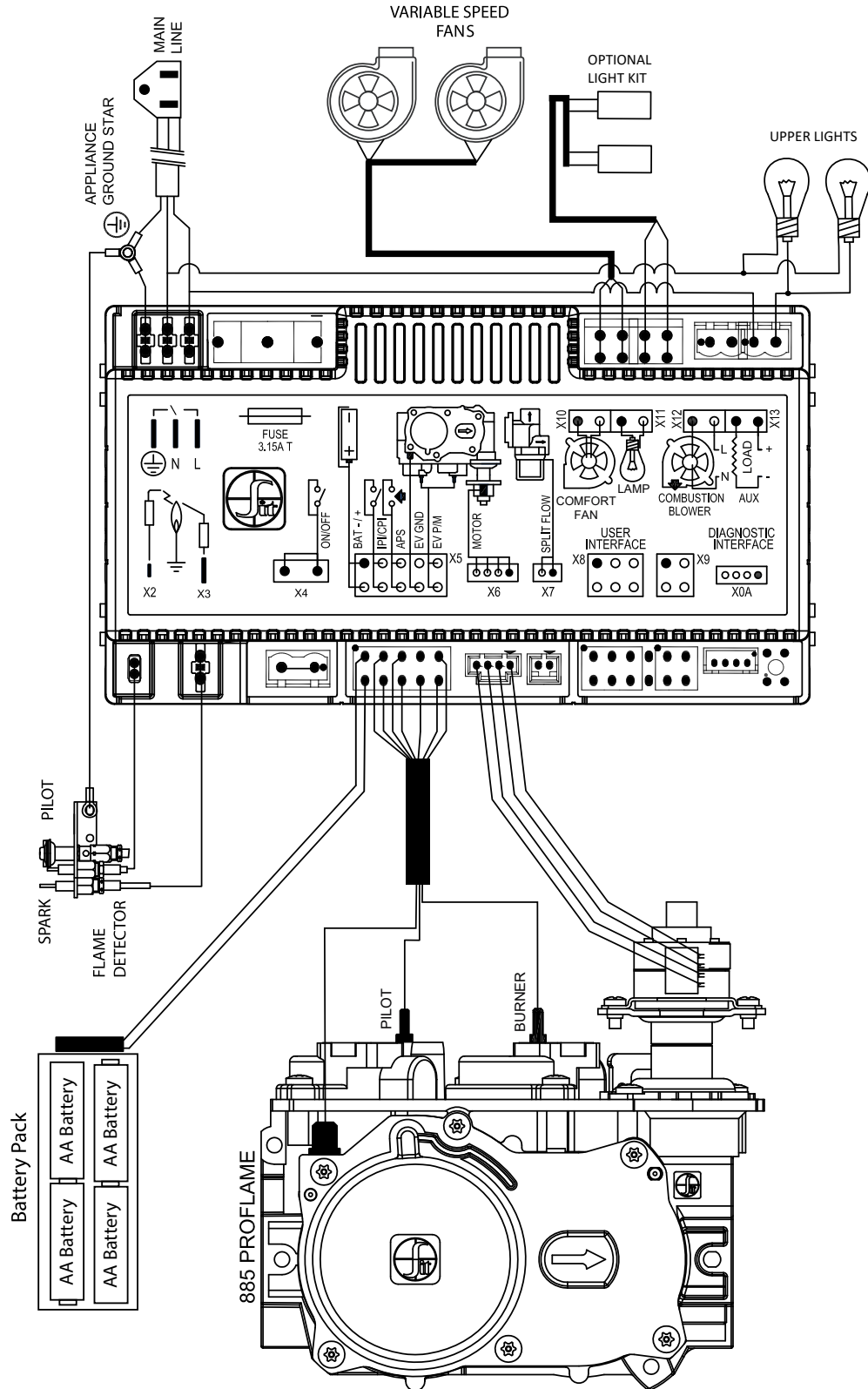


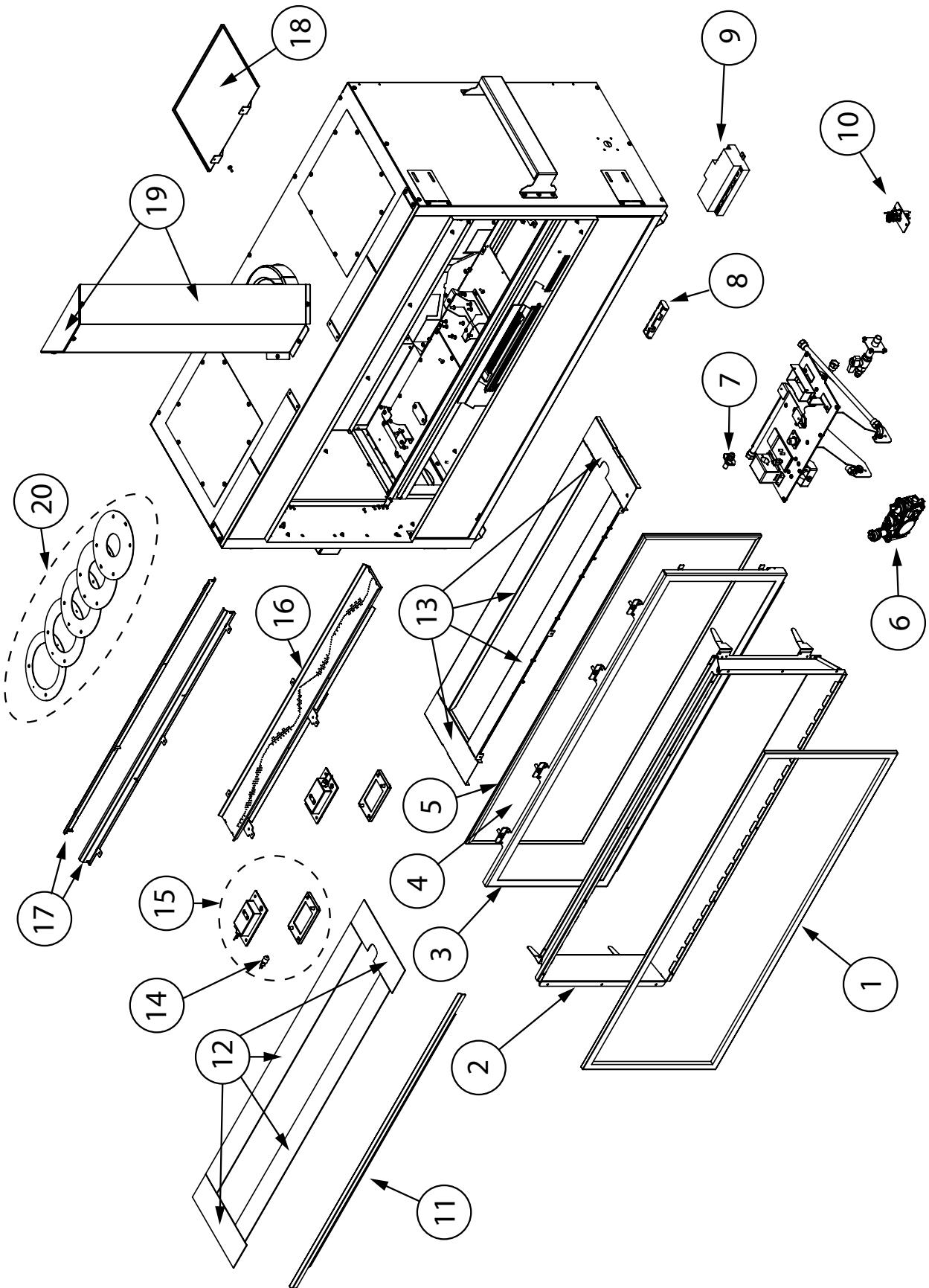
Figure 89: Ember Light Wiring

# Wiring Diagram



**Caution:** Label all wires prior to disconnection when servicing controls. Wiring errors can cause improper and dangerous operation. Verify proper operation after servicing.

# Replacement Parts Diagram



---

# Replacement Parts

|    |   |          |
|----|---|----------|
| 1  | Safety Screen .....                         | 80002684 |
| 2  | Screen Assembly, L44 .....                  | 80002672 |
| 3  | Door, Complete w/ Glass, L44 .....          | 80002673 |
| 4  | Door Glass, w Gasket, L44 .....             | 80002674 |
| 5  | Gasket, Door Glass, L44 .....               | 80002675 |
| 6  | Valve, NG .....                             | 80000194 |
| 7  | Orifice, EU, NG, L44 .....                  | 80002685 |
| 8  | Battery Holder.....                         | 80002686 |
| 9  | Module.....                                 | 80000192 |
| 10 | Pilot Assembly, SIT .....                   | 80000193 |
| 11 | Media Tray Front Trim, L44 .....            | 80002676 |
| 12 | Media Tray Cover Plates, Set, L44 .....     | 80002677 |
| 13 | Media Tray, Glass, L44 .....                | 80002678 |
| 14 | Halogen Bulb, w Gasket,(20W) .....          | 80002650 |
| 15 | Overhead Light Assembly, L44 .....          | 80002687 |
| 16 | Burner, L44 .....                           | 80002679 |
| 17 | Burner Air Deflectors, L44 .....            | 80002680 |
| 18 | Baffle Plate, L44 .....                     | 80002681 |
| 19 | Vent Pipe Shield, L44 .....                 | 80002682 |
| 20 | Vent Restrictor Rings, Set of 5, L44 .....  | 80002683 |
| 22 | Remote, SIT .....                           | 80000004 |
| 23 | Burner Media, Glass 3lb bag, Twilight ..... | 12160012 |

## Optional Items:

|  |          |
|--|----------|
| Burner Light Kit.....                          | 12160039 |
| Blower Kit .....                               | 12140007 |
| Conversion Kit, LP, L44 .....                  | 12180011 |
| Firebox Panel Set, Black Porcelain, L44 .....  | 12200045 |
| Firebox Panel Set, Fluted Fiber, L44.....      | 12200051 |
| Firebox Panel Set, LedgeStone Fiber, L44 ..... | 12200052 |





© 2023 Copyright Pacific Energy Fireplace Products LTD

Reproduction, adaptation, or translation without prior written permission is prohibited, except as allowed under the copyright laws.



**For technical support, please contact your retailer**

**Web site: [www.pacificenergy.net](http://www.pacificenergy.net)  
2975 Allenby Rd., Duncan,  
BC V9L 6V8**

Printed in Canada