

INSTALLER:

Leave this manual with the appliance.

CONSUMER:

Retain this manual for future reference.



Owner's Manual

WARNING: If the information in these instructions is not followed exactly a fire or explosion may result causing property damage, personal injury or death.

FOR YOUR SAFETY

Installation and service must be performed by a qualified installer, service agency or the gas supplier

WHAT TO DO IF YOU SMELL GAS

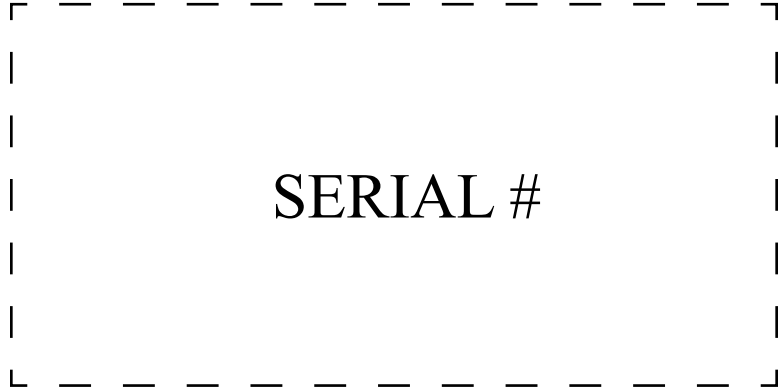
- Do not try to light any appliance.
- Do not touch any electrical Switch.
- Do not use any phone in your building.
- Immediately call your gas supplier from a neighbor's phone. Follow the gas supplier's instructions.
- If you cannot reach your gas supplier call the fire department.

Do not store or use gasoline or other flammable vapours and liquids in the vicinity of this or any other appliance.

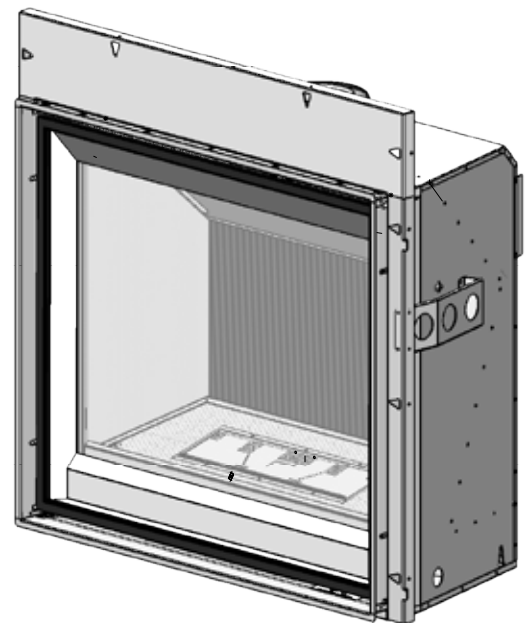
This appliance is suitable for installation in a bedroom or bed sitting room.

This appliance may be installed in an aftermarket permanently located, manufactured home (USA only) or mobile home, where not prohibited by local codes.

This appliance is only for use with the type of gas indicated on the rating plate. This appliance is not convertible for use with other gases unless a certified kit is used.



SERIAL #



**MODEL: z25 (w' Log Burner)
ZERO CLEARANCE
DIRECT VENTED GAS
FIREPLACE HEATER**



Visit www.pacificenergy.net for the most recent version of this manual

Table of Contents

Contents

Table of Contents	2
Important Note for the Commonwealth of Massachusetts	3
Caution	4
Safety	5
First Fire	6
Remote Control Operation	7
System Description	7
Transmitter (Remote Control with LCD Display) ..	7
IFC Module	8
Operating Procedure	8
Initializing the System for the first time	8
Temperature indication Display	9
Turn on the Fireplace	9
Turn off the Fireplace	9
Manual Bypass of the Remote System	9
Key Lock	9
Remote Flame Control	10
ROOM THERMOSTAT (Transmitter Operation) ..	10
Smart Thermostat (Transmitter Operation)	10
Comfort Fan Speed Control	11
Accent Lights Control.....	11
Ember Lights dimmer control.....	11
Continuous Pilot/Intermittent Pilot (CPI/IPI) selection	11
LOW BATTERY POWER DETECTION	12
Transmitter	12
Receiver.....	12
Warnings and Cautions	12
Glass Door:.....	13
Annual Inspection:.....	13
Periodically:.....	13
Lighting Instructions	14
Fireplace Dimensions	15
Locating the Fireplace	16
Top to Rear Vent Conversion	17
Framing and Finishing	19
Chase Clearances	19
Framing	20
Venting Chart, NG	23
Venting Chart, Propane	24
Venting Configuration	25
Vent Terminal Minimum Clearances	26
Vertical Termination	27
Horizontal Termination	27
Electrical Connection	28
Gas Supply Connection	29
Gas Leak Detection	29
Propane Conversion	30
Main Burner Orifice Conversion	30
Pilot Orifice Conversion	31
Gas Pressure Testing Procedure	33
Facing and Finishing	34
Clearances to Room Combustibles	35
Optional Panel Installation	36
Log Set Installation	39
Safety Screen Removal/Installation	42
Door Removal/Installation	43
Venturi Adjustment	44
Damper Installation	45
Damper Adjustment	46
Electrical Control Panel Removal / Installation	47
Halogen Lamp Replacement	49
Module & Gas Valve Details	50
Rating Label	51
Parts Diagram	52



WARNING: This product can expose you to chemicals including ceramic fibers, which are known to the State of California to cause cancer, and carbon monoxide, which is known to the State of California to cause birth defects or other reproductive harm.

For more information go to
www.P65Warnings.ca.gov.

This warning is applicable to all
Pacific Energy Fireplace Products

— Important Note for the Commonwealth of Massachusetts —

From Massachusetts Rules and Regulations 248 CMR 5.08:

- (a) For all side wall horizontally vented gas fueled equipment installed in every dwelling, building or structure used in whole or in part for residential purposes, including those owned or operated by the Commonwealth and where the side wall exhaust vent termination is less than seven (7) feet above finished grade in the area of the venting, including but not limited to decks and porches, the following requirements shall be satisfied.
1. **INSTALLATION OF CARBON MONOXIDE DETECTORS.** At the time of installation of the side wall horizontal vented gas fueled equipment, the installing plumber or gas fitter shall observe that a hard wired carbon monoxide detector with an alarm and battery back-up is installed on the floor level where the gas equipment is to be installed, in addition, the installing plumber or gas fitter shall observe that a battery operated or hard-wired carbon monoxide detector with an alarm is installed on each additional level of the dwelling, building or structure served by the side wall horizontal vented gas fueled equipment. It shall be the responsibility of the property owner to secure the services of qualified licensed professionals for the installation of hard-wired carbon monoxide detectors.
 - a. In the event that the side wall horizontally vented gas fueled equipment is installed in a crawl space or an attic, the hard-wired carbon monoxide detector with alarm and battery back-up may be installed on the next adjacent floor level.
 - b. In the event that the requirements of this subdivision cannot be met at the time of completion of installation, the owner shall have a period of thirty (30) days to comply with the above requirements; provided, however, that during said thirty (30) day period, a battery operated carbon monoxide detector with an alarm shall be installed.
 2. **APPROVED CARBON MONOXIDE DETECTORS.** Each carbon monoxide detector as required in accordance with the above provisions shall comply with NFPA 720 and be ANSI/UL 2034 listed as IAS certified.
 3. **SIGNAGE.** A metal or plastic identification plate shall be permanently mounted to the exterior of the building at a minimum height of eight (8) feet above grade directly in line with the exhaust vent terminal for the horizontally vented gas fueled heating appliance or equipment. The sign shall read, in print size no less than one-half (1/2) inch in size, "GAS VENT DIRECTLY BELOW. KEEP CLEAR OF ALL OBSTRUCTIONS"
 4. **INSPECTION.** The state or local gas inspector of the side wall horizontally vented gas fueled equipment shall not approve the installation unless, upon inspection, the inspector observes carbon monoxide detectors and signage installed in accordance with the provisions of 248 CMR 5.089(2) (a) 1 through 4.
- (b) **EXEMPTIONS.** The following equipment is exempt from 248 CMR 5.089(2)(a) 1 through 4.
1. The equipment listed in Chapter 10 entitled "Equipment Not Required To Be Vented" in the most current edition of NFPA 54 as adopted by the Board; and
 2. Product Approved side wall horizontal vented gas fueled equipment installed in a room or structure separate from the dwelling, building or structure used in whole or in part for residential purposes.
- (c) **MANUFACTURER REQUIREMENTS – GAS EQUIPMENT VENTING SYSTEM PROVIDED.** When the manufacturer of Product Approved side wall horizontally vented gas equipment provides a venting system design or venting system components with the equipment, the instructions provided by the manufacturer for installation of the equipment and the venting system shall include:
1. Detailed instructions for the installation of the venting system design or the venting system components; and
 2. A complete parts list for the venting system design or venting system.
- (d) **MANUFACTURER REQUIREMENTS – GAS EQUIPMENT VENTING SYSTEM NOT PROVIDED.** When the manufacturer of a Product Approved side wall horizontally vented gas fueled equipment does not provide the parts for venting the fuel gases, but identifies "special venting systems," the following requirements shall be satisfied by the manufacturer.
1. The referenced "special venting system" instructions shall be included with the appliance or equipment installation instructions; and
 2. The "special venting systems" shall be Product Approved by the Board, and the instructions for that system shall include a parts list and detailed installation instructions.
- (e) A copy of all installation instructions for all Product Approved side wall horizontally vented gas fueled equipment, all venting instructions, all parts lists for venting instructions, and/or all venting design instructions shall remain with the appliance or equipment at the completion of the installation.

Caution


FOR YOUR SAFETY - Do not install or operate your Pacific Energy fireplace without first reading and understanding this manual. Any installation or operational deviation from the following instructions voids the Pacific Energy Warranty and may prove hazardous.

This appliance and its individual shut off valve must be disconnected from gas supply piping system during any pressure testing of that system at test pressures in excess of 1/2 psi (3.5 kPa).


This appliance must be isolated from the gas supply piping system by closing its individual manual shut off valve during any pressure testing of the gas supply piping system at test pressures equal to or greater than 1/2 psi (3.5 kPa).

Do not use the fireplace if any part has been under water. Immediately call a qualified service technician to inspect the fireplace and to replace any part of the control system and any gas control which has been under water.

This fireplace is equipped with a micro mesh safety screen for your protection and must be installed with the unit. Removal of the safety screen will cause the fireplace to become a burn and fire hazard.



DANGER



HOT GLASS WILL CAUSE BURNS.

DO NOT TOUCH GLASS UNTIL COOLED.

NEVER ALLOW CHILDREN TO TOUCH GLASS.

A barrier designed to reduce the risk of burns from the hot viewing glass is provided with the appliance and shall be installed for the protection of children and other at-risk individuals.

Safety

- Due to high temperatures, this gas appliance should be located out of traffic and away from furniture and draperies.
- Children and adults should be alerted to the hazards of high surface temperatures and should stay away to avoid burns or clothing ignition.
- Young children should be carefully supervised when they are in the same room as the appliance. Toddlers, young children and others may be susceptible to accidental contact burns. A physical barrier is recommended if there are at risk individuals in the house. To restrict access to a fireplace or stove, install an adjustable safety gate to keep toddlers, young children and other at risk individuals out of the room and away from hot surfaces.
- Clothing or other flammable material should not be placed on or near the appliance.
- A barrier designed to reduce the risk of burns from the hot viewing glass is provided with the fireplace and shall be installed.
- If the barrier becomes damaged, the barrier shall be replaced with the manufacturers barrier for this appliance.
- Any grill, panel or door removed for servicing the unit must be replaced prior to operating.
- Installation and repair should be done by a qualified service person. The appliance should be inspected before use and at least annually by a professional service person. More frequent cleaning may be required due to excessive lint from carpeting, bedding material, etc. It is imperative that control compartments, burners and circulating air passageways of the appliance be kept clean.
- This appliance must not be connected to a chimney flue serving a separate solid fuel burning appliance.
- It is our policy that no responsibility is assumed by the Company or by any of its employees or representatives for any damages caused by an inoperable, inadequate, or unsafe condition which is the result, either directly or indirectly, of any improper operation or installation procedures.

WHAT TO DO IF YOU SMELL GAS

- Do not try to light any appliance.
- Do not touch any electrical Switch.
- Do not use any phone in your building.
- Immediately call your gas supplier from a neighbor's phone. Follow the gas supplier's instructions.
- If you cannot reach your gas supplier call the fire department.
- Installation and service must be performed by a qualified installer, service agency or the gas supplier.

Congratulations on your purchase of a Pacific Energy Gas Appliance.

Your fireplace has been professionally installed by:

Dealer name: _____

Phone Number: _____

If you discover any problems with your gas appliance contact your dealer immediately to have the unit repaired.

Caution: Do not attempt to repair the fireplace because you may cause injury to yourself or others, and risk causing damage to the unit.

Before operating your appliance carefully read this manual and pay close attention to all Safety Warnings.

The manual contains important information on the unit's safe operation and maintenance.

First Fire

When lit for the first time, the fireplace will emit a slight odour for a couple of hours. This is due to the curing of paints, sealants, gaskets, and lubricants used in the manufacturing process. This condition is temporary. Open doors and windows to ventilate the area. Odour caused by the curing process may cause discomfort to some individuals.

It is normal for fireplaces fabricated from steel to give off some expansion and/or contraction noises during the start up or cool down cycle. Similar noises are found with your furnace heat exchanger or cook stove oven.

NOTE: Fireplace may take up to 30 seconds to ignite each time the "ON" button has been selected.

Remote Control Operation

System Description

The Proflame 2 Remote Control System consists of two elements:

1. Proflame2 Transmitter.
2. Proflame2 Integrated Fireplace Control (IFC) board and a wiring harness to connect the IFC to the gas valve and stepper motor.

Transmitter (Remote Control with LCD Display)

The Proflame 2 Transmitter uses a streamline design with a simple button layout and informative LCD display Figure 1. The transmitter is powered by 3 AAA type batteries. A Mode key is provided to Index between the features and a Thermostat key is used to turn on/off or index through thermostat functions (Figure 1) and (Figure 2).

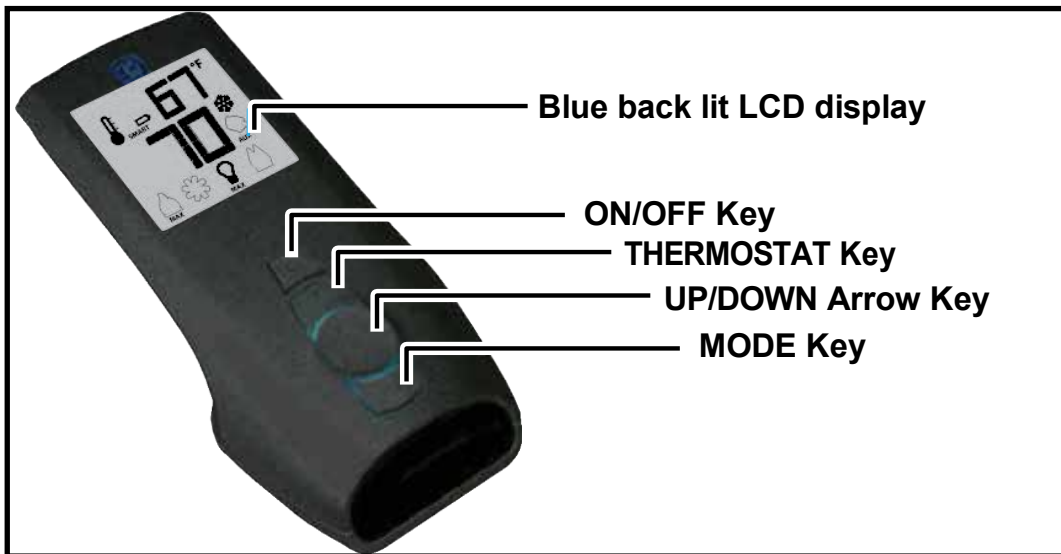


Figure 1: Proflame 2 handset.

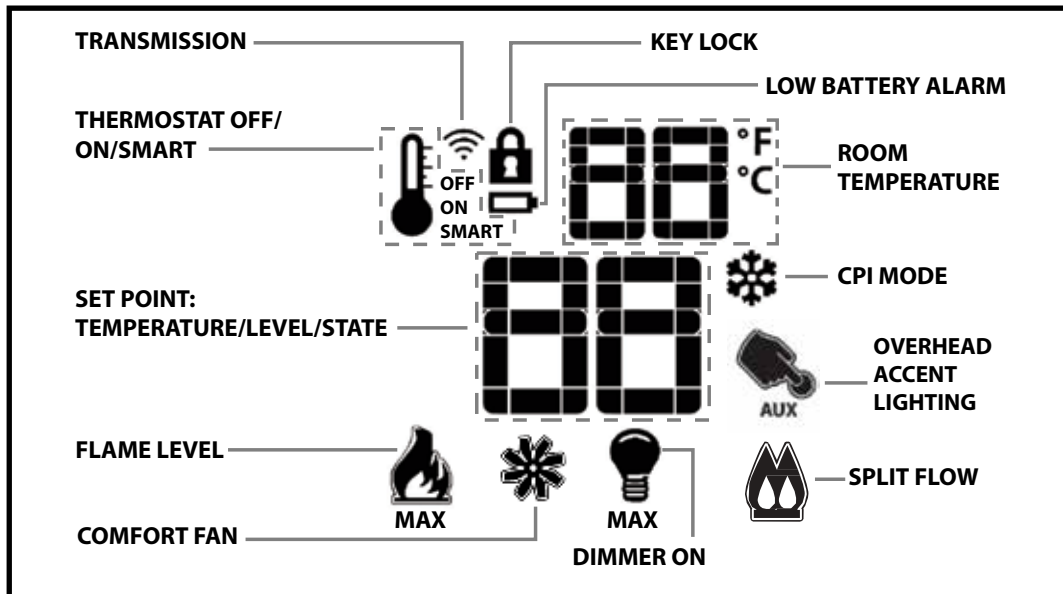


Figure 2: Proflame 2 LCD display.

IFC Module

The Proflame 2 Integrated Fireplace Control (IFC) module (Figure 3) is a device that allows automatic ignition and pilot flame supervision, and commands the functions of the hearth Fireplace. It's configured to control the ON/OFF main burner operation, giving the choice of both IPI (intermittent pilot ignition), and CPI (continuous pilot ignition) modes. The Proflame2 IFC module controls and connects directly to the pilot assembly and the automatic valve using low electric power.

The IFC module can be powered by both an AC power supply, and battery pack for back up. The Proflame 2 offers the added ability to control the comfort fan speed from OFF through six (6) speeds, a remotely actuated auxiliary outlet and a dim-able light outlet. The external batteries can provide DC power to the IFC allowing the batteries to be used only when line power is interrupted or lost, and if the Fireplace does not use a combustion fan.

Operating Procedure

Initializing the System for the first time

1. Install 4 AA batteries into the battery holder (Figure 4) located behind the Screen/Surround, below the firebox. Make sure that the selection switch is on the "Remote" setting.
2. Install 3 AAA batteries into the Proflame2 Remote Transmitter (Figure 1).
3. Make sure there is power to the unit and open the gas supply line.
4. Locate the button marked "PRG" (Program) on the ON/OFF switch (Figure 4) and press the program button once. The module will beep 3 times indicating that it is ready to synchronize with a remote transmitter.
5. On the remote transmitter, push the power on button once. The remote transmitter will beep 4 times to indicate that the remote transmitter and the control module are now synchronized. The remote transmitter is now ready to use.

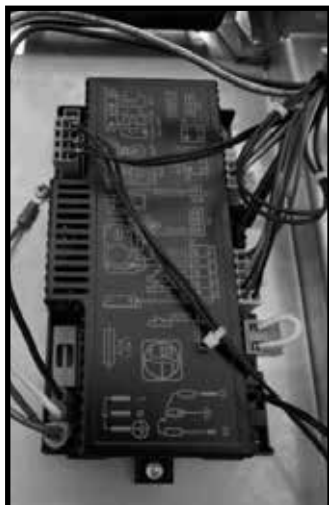


Figure 3: IFC module.

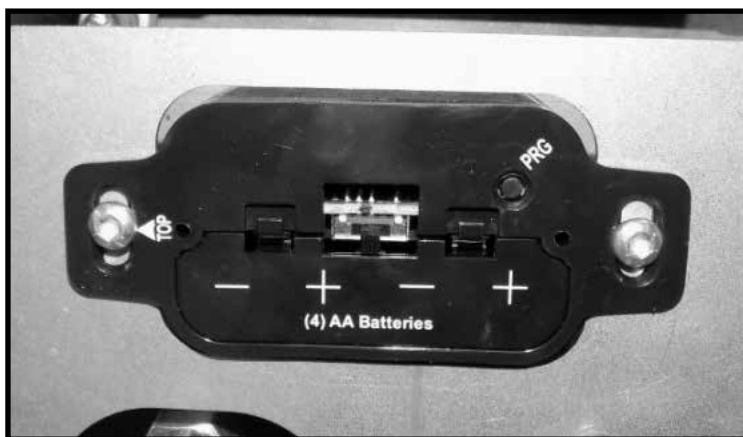


Figure 4: On-off switch.

Temperature indication Display

With the system in the “OFF” position, press the Thermostat Key and the Mode Key at the same time. Look at the LCD screen on the transmitter to verify that a C or F is visible to the right of the Room Temperature display (Figure 5 or Figure 6).

Turn on the Fireplace

With the system OFF, press the ON/OFF Key on the remote transmitter. The remote transmitter display will show some other active Icons on the screen. At the same time the Receiver will activate the Heater. A single “beep” from the Receiver (module) will confirm reception of the command.

Turn off the Fireplace

With the system ON, press the ON/OFF Key on the Remote transmitter. The Remote transmitter LCD display will only show the room temperature. At the same time the Receiver (module) will turn off the Heater. A single “beep” from the Receiver confirms reception of the command.

Manual Bypass of the Remote System (located behind the Screen Assembly)

If the batteries of the receiver or remote transmitter are low or depleted, the Heater can be turned off manually using ON/OFF switch located on battery box at the Lower Front. This will bypass the remote transmitter.

Key Lock

This function will lock the keys to avoid unsupervised operation. To activate this function, press the MODE and UP keys at the same time. The lock icon will appear (Figure 7). To de-activate this function, press the MODE and UP keys at the same time.

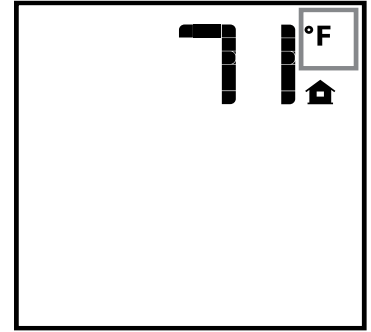


Figure 5: Display in Fahrenheit.

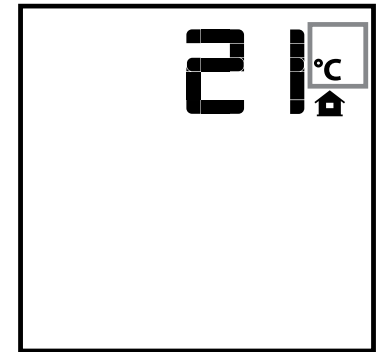


Figure 6: Display in Celsius.

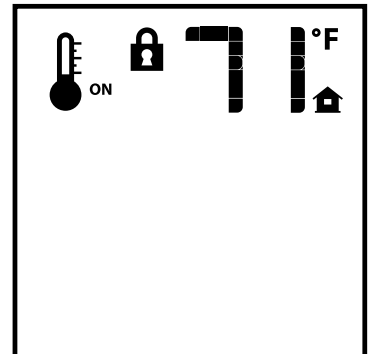


Figure 7: Key lock.

Remote Flame Control

The Proflame2 has six (6) flame levels. With the system turned on, and the flame level at maximum in the Fireplace, press the down arrow key once to reduce the flame height by one step until the flame is turned off.

The up arrow key will increase the flame height each time it is pressed. If the up arrow key is pressed while the system is on but the flame is off, the flame will come on in the high position (Figure 8). A single “beep” will confirm reception of the command.

ROOM THERMOSTAT (Transmitter Operation)

The remote control can operate as a room thermostat. The thermostat can be set to a desired temperature to control the comfort level in a room.

To activate this function, press the thermostat key (Figure 1). The LCD display on the remote transmitter will change to show that the room thermostat is “ON” and the set temperature is now displayed (Figure 9). To adjust the set point, press the up or down arrow keys until the desired set point temperature is displayed on the LCD screen of the remote transmitter.

Smart Thermostat (Transmitter Operation)

The Smart Thermostat function adjusts the flame height in accordance to the difference between the set point and the room temperatures. As the room temperature gets closer to the set point, the Smart Function will modulate the flame down. If the room temperature is cool the Smart function will modulate the flame up.

To activate this function, press the THERMOSTAT key (Figure 1) until the word “SMART” appears to the right of the temperature bulb graphic (Figure 10). To adjust the set point, press the up or down arrow keys until the desired set point temperature is displayed on the LCD screen of the remote transmitter (Figure 11).

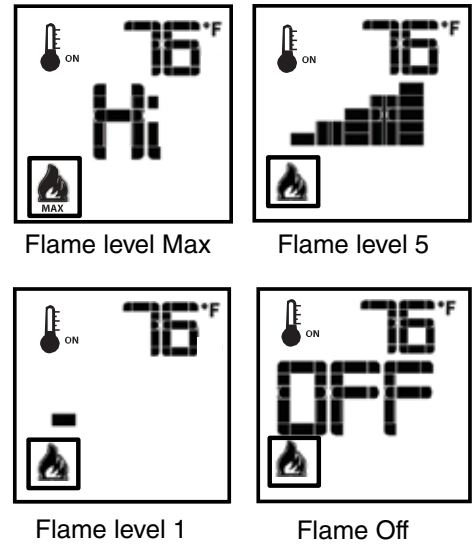


Figure 8: Flame level control.

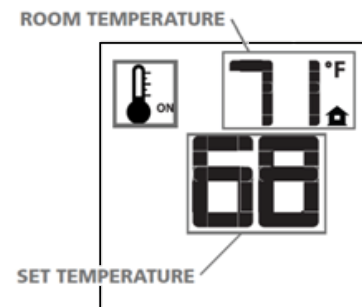


Figure 9: Room temperature control.

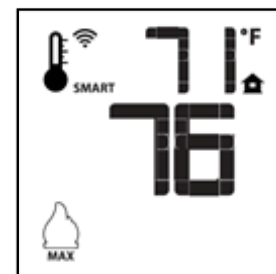


Figure 10: Smart flame control.

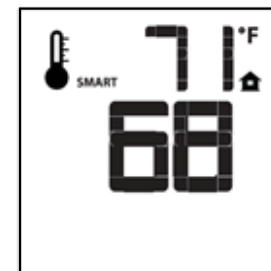
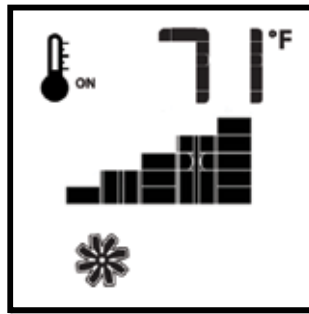


Figure 11: Smart flame function set low.



Figure 12: Comfort fan control.



Comfort Fan Speed Control

If the fireplace is equipped with an air circulating fan, the speed of the fan can be adjusted through six (6) speeds by the Proflame system.

To activate this function use the Mode Key (Figure 1) to index to the fan control icon (Figure 12). Use the Up/Down Arrow Keys (Figure 1) to turn on/off or adjust the fan speed (Figure 12). A single “beep” will confirm the command.

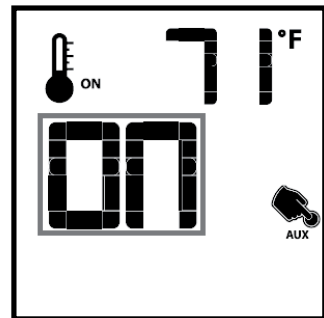


Figure 13: Top light On.

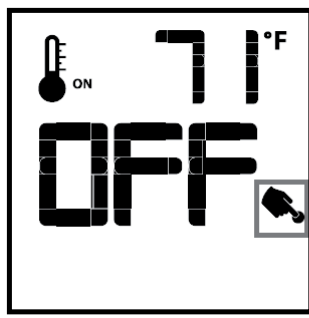


Figure 14: Top light off.

Accent Lights Control

This fireplace is equipped with an overhead accent light. The auxiliary function controls this Accent Light.

To activate this function, use the Mode Key, (Figure 1) to index to the AUX icon (Figure 13). Pressing the Up Arrow Key will turn the light on. Pressing the Down Arrow Key will turn the light off (Figure 14). A single “beep” will confirm the reception of the command.

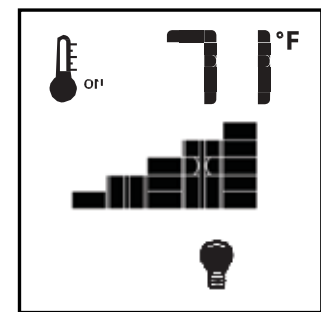
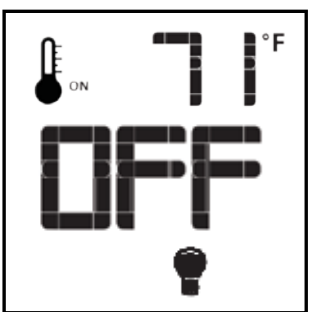


Figure 15: Dimmer light control.



Ember Lights dimmer control

The light function controls the Ember Bed dimmable lights. To activate this function use the Mode Key (Figure 1) to index to the light bulb icon (Figure 15). The intensity of the lights can be adjusted through six (6) levels. Use the Up/Down Arrow Keys (Figure 1) adjust the output level. A single “beep” will confirm reception of the command.

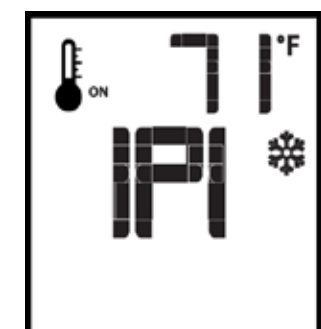
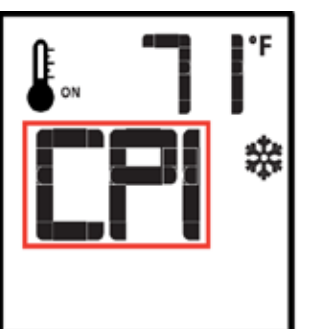


Figure 16: IPI CPI Selection.



Continuous Pilot/Intermittent Pilot (CPI/IPI) selection

With the system in “OFF” position press the Mode Key (Figure 1) to index to the CPI mode icon (Figure 16). Pressing the Up Arrow Key will activate the Continuous Pilot Ignition mode (CPI). Pressing the Down Arrow Key will return to IPI. A single “beep” will confirm the reception of the command.

LOW BATTERY POWER DETECTION

Transmitter

The life span of the remote control batteries depends on various factors: quality of the batteries used, the number of ignitions of the appliance, the number of changes to the room thermostat set point, etc.

When the Transmitter batteries are low, a Battery Icon will appear on the LCD display of the Transmitter (Figure 17) before all battery power is lost. When the batteries are replaced this Icon will disappear.

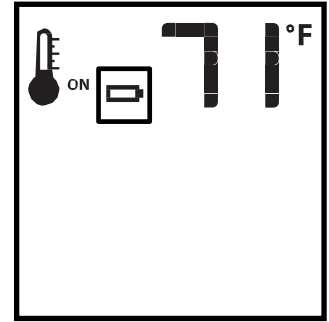


Figure 17: Low battery icon.

Receiver

The life span of the IFC batteries depends on various factors: quality of the batteries used, the number of ignitions of the appliance and the number of changes to the room thermostat set point, etc. When the IFC batteries are low, a “double-beep” will be emitted from the IFC board when it receives a command from the transmitter. This is an alert for a low battery condition for the IFC board. When the batteries are replaced the “beep” will be emitted from the IFC board when a key is pressed. See “Initializing the System for the first time” on page 8.

Warnings and Cautions

WARNING

Fire Hazard. Can cause severe injury or death

The Receiver causes ignition of the appliance. The appliance can turn on suddenly. Keep away from the appliance burner when operating the remote system or activating manual bypass of the remote system.

WARNING

Shock Hazard. Can cause severe injury or death

This device is powered by line voltage. Do not try to repair this device. In no way is the enclosure to be tampered with or opened. Disconnect from line voltage before performing any maintenance.

Turn off gas and electrical power supply (if applicable) and allow ample time for unit to cool before servicing appliance. It is recommended that the fireplace and its venting should be inspected at least once a year by a qualified service person.

Glass Door:

Warning: Do not operate fireplace with glass door removed, cracked or broken. Replacement of the glass door should be done by a licensed or qualified service person. Check glass panel gasket, replace if necessary. It is important that the glass seal be maintained in good condition.

Do not strike or otherwise impact the glass in any way that may cause it to break. If the glass becomes cracked or broken it must be replaced before using the fireplace. Replacement door can be obtained from your nearest Pacific Energy dealer. Do not substitute with any other type. To remove broken glass, remove Door as noted in "Door Removal" section.

Annual Inspection:

- a) Remove glass door and decorative media (such as Glass, logs and Embers). Inspect decorative media and burner assemblies for soot buildup. If excessive buildup of soot is present, have a qualified service person inspect and adjust unit for proper combustion. Clean burner with a brush or vacuum cleaner, paying close attention to burner ports.
- b) Check the pilot system for proper flame size and operation. Clean pilot free of soot, dust or any other deposits.
- c) Check that the vent pipe and vent terminal are open and free from blockage or debris. If the venting is disassembled for cleaning, it must be properly assembled and re-sealed. Refer to VENTING section for proper procedure.
- d) Check and replace batteries as needed.

Note: The appliance area must be kept clear and free from combustible materials, gasoline and other flammable vapors and liquids.

Periodically:

- a) Viewing glass may be cleaned as necessary with glass cleaner. For touch stains use a fireplace (ceramic) glass cleaner.
- b) Exterior finish may be cleaned with mild soap and water.

CAUTION: Do not use abrasive cleaners on glass or any other part of the fireplace.

Do not clean glass when hot.

Lighting Instructions

FOR YOUR SAFETY READ BEFORE LIGHTING

WARNING: If you do not follow these instructions exactly, a fire or explosion may result causing property damage, personal injury, or loss of life.

WHAT TO DO IF YOU SMELL GAS:

- Do not try to light any appliance.
- Do not touch any electric switch; do not use any phone in your building.
- Immediately call your gas supplier from a neighbour's phone. Follow the gas supplier's instructions.
- If you cannot reach your gas supplier, call the fire department.

- A. This appliance is equipped with an ignition device which automatically lights the pilot. Do not try to light the pilot by hand.
- B. **BEFORE LIGHTING** smell all around the appliance area for gas. Be sure to smell next to the floor because some gas is heavier than air and will settle on the floor.
- C. Do not use this appliance if any part has been under water. Immediately call a qualified service technician to inspect the appliance & to replace any part of the control system & any gas control which has been under water.

LIGHTING INSTRUCTIONS

1. STOP! Read the safety information above on this label.
2. This appliance is equipped with an ignition device which automatically lights the pilot. Do not try to light the pilot by hand.
3. Push the "On/ Off" Button on the Remote, to turn the fireplace ON.
 - If the burner does light go to step 6.
 - If the burner does not light, complete steps 4 through 5.
 - If the burner will not light or stay lit after several tries, push the "On/ Off" Button on the Remote, to turn the fireplace to OFF, turn off all electric power to the fireplace and call your service technician or gas supplier.

- Note: Sufficient time must be allowed for air to escape from lines if the unit is being lit for the first time.
4. Push the "On/ Off" Button on the Remote, to turn the fireplace Off.
 5. Allow sufficient length of time (minimum 5 minutes) for any gas in the combustion chamber to escape. If you still smell gas, STOP! Follow "B" in the safety information above on this label. If you do not smell gas, go to step 3.
 6. Set fireplace to desired setting by using handheld remote.

TO TURN OFF GAS APPLIANCE

1. Push the "on/ off" Button on the Remote to the "Off" position.
2. Turn off all electric power to the appliance and remove backup batteries if service is to be performed or for extended shutdown.

Due to high surface temperatures, keep children, clothing and furniture away. Keep burner and control compartment clean. See installation and operating instructions accompanying the appliance.
A cause de la température élevée des parois, tenir éloignés les enfants, les vêtements et les meubles. Maintenir propres le brûleur et le compartiment de commande. Voir les instructions relatives à l'installation et au fonctionnement qui accompagnent l'appareil.

CAUTION: Hot while in operation. Do not touch. Severe burns may result. Keep children, clothing, furniture, gasoline, and other liquids having flammable vapours away. Keep burner and control compartment clean. See installation and operating instructions accompanying the appliance.

ATTENTION: L'appareil est chaud lorsqu'il fonctionne. Ne pas toucher l'appareil. Risque de brûlures graves. Surveiller les enfants. Garder les vêtements, le meubles, l'essence ou autres liquides produisant des vapeurs inflammables loin de l'appareil. S'assurer que le brûleur et le compartiment des commandes sont propres. Voir les instructions d'installation et d'utilisation qui accompagnent l'appareil.

120221

5051.185 rev B

CAUTION: Hot while in operation. Do not touch. Severe burns may result. Keep children, clothing, furniture, gasoline and other liquids having flammable vapours away. Keep burner and control compartment clean. See installation and operating instructions accompanying the appliance.

ATTENTION: L'appareil est chaud lorsqu'il fonctionne. Ne pas toucher l'appareil. Risque de brûlures graves. Surveiller les enfants. Garder les vêtements, le meubles, l'essence ou autres liquides produisant des vapeurs inflammables loin de l'appareil. S'assurer que le brûleur et le compartiment des commandes sont propres. Voir les instructions d'installation et d'utilisation qui accompagnent l'appareil.

Fireplace Dimensions

The installation must conform with local codes or, in the absence of local codes, with the National Fuel Gas Code, ANSI Z223.1/NFPA 54, or the National Gas and Propane Installation Code, CSA B149.1

A manufactured home (USA only) or mobile home OEM installation must conform with the Manufactured Home Construction and Safety Standard, Title 24 CFR, Part 3280, or, when such a standard is not applicable, the Standard for Manufactured Home Installations, ANSI/NCSCS A225.1, or standard for Gas Equipped Recreational Vehicles and Mobile Housing, CSA Z240.4

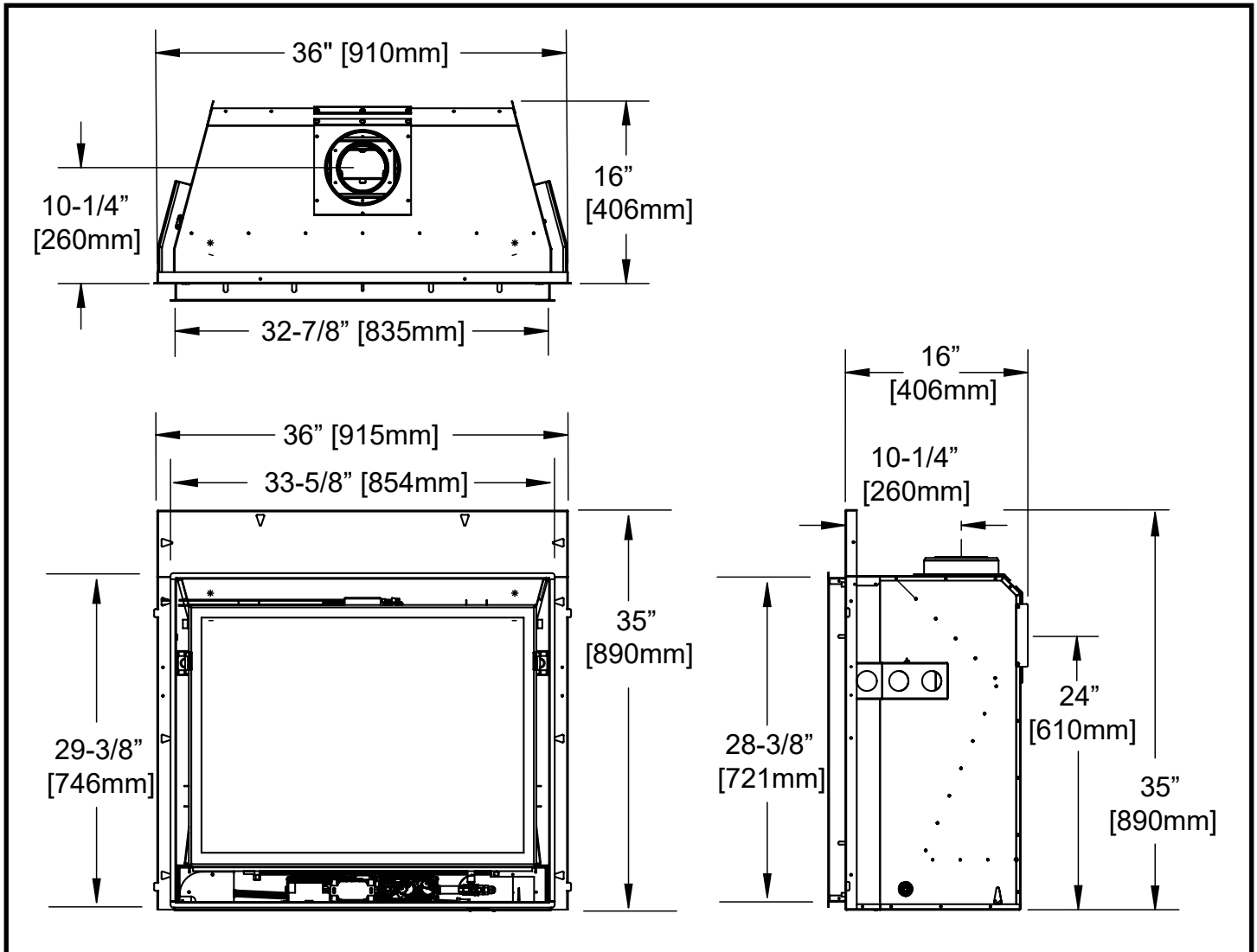


Figure 18: Z25 Dimension views.

Locating the Fireplace

In planning the installation for the fireplace, it is necessary to determine where the unit is to be installed, location of vent system and where gas supply piping may be plumbed. Various installations are possible, such as, into an existing wall, a corner, a built in wall or a wall projection. Due to high temperatures, do not locate this fireplace in areas of high traffic or near furniture or draperies. The fireplace should be accessible for service

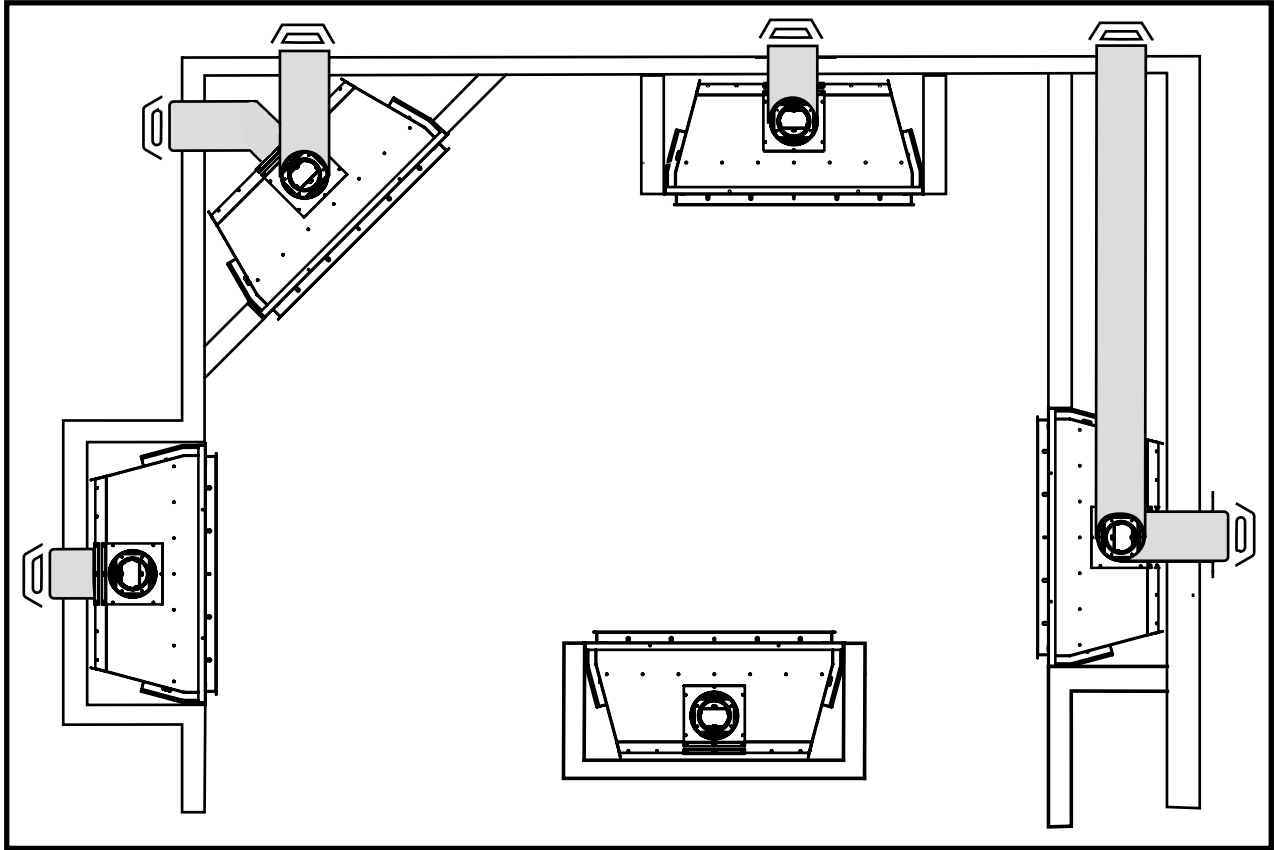


Figure 19: Z25 Installation examples.

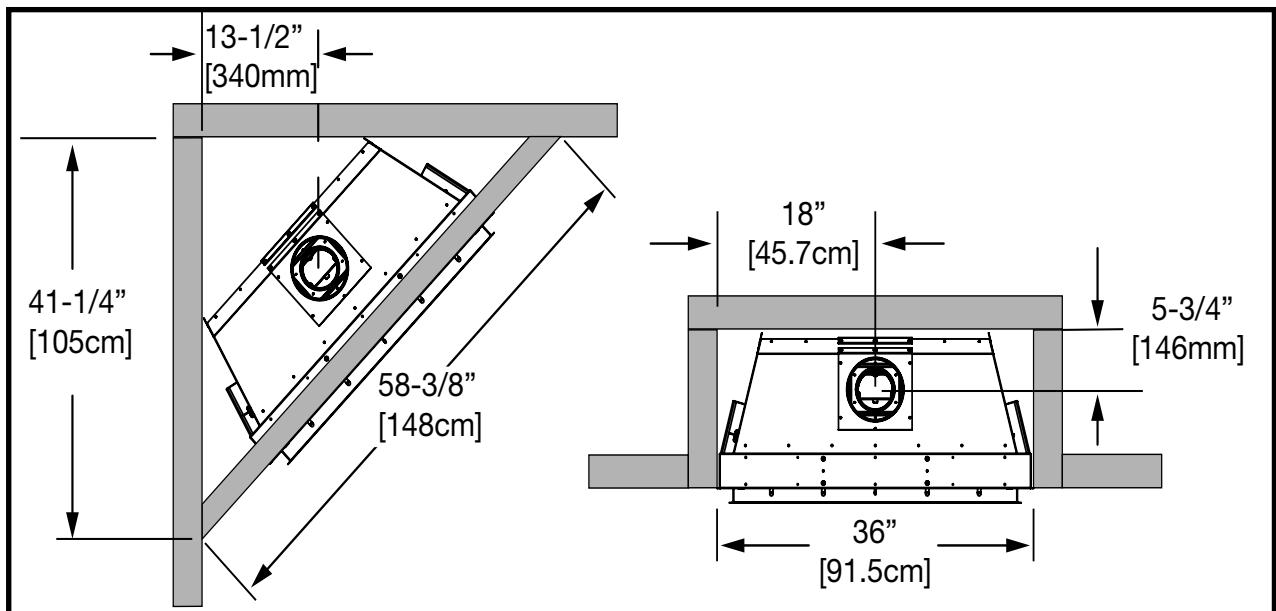


Figure 20: Z25 Venting Location Dim.

Top to Rear Vent Conversion

- To convert the vent from top to rear outlet, remove the outer collar by removing the 5 Torx T20 screws (Figure 21).
- Remove the 5 screws holding the cover plate (Figure 22)



Figure 21: Vent Conversion 1.



Figure 22: Vent Conversion 2.

- Remove the screws holding the flue to the unit (Figure 23).
- Carefully remove the flue and the gasket. Rotate the flue to point out the rear of the fireplace (Figure 24). After ensuring the gasket is in place install and tighten the screws.

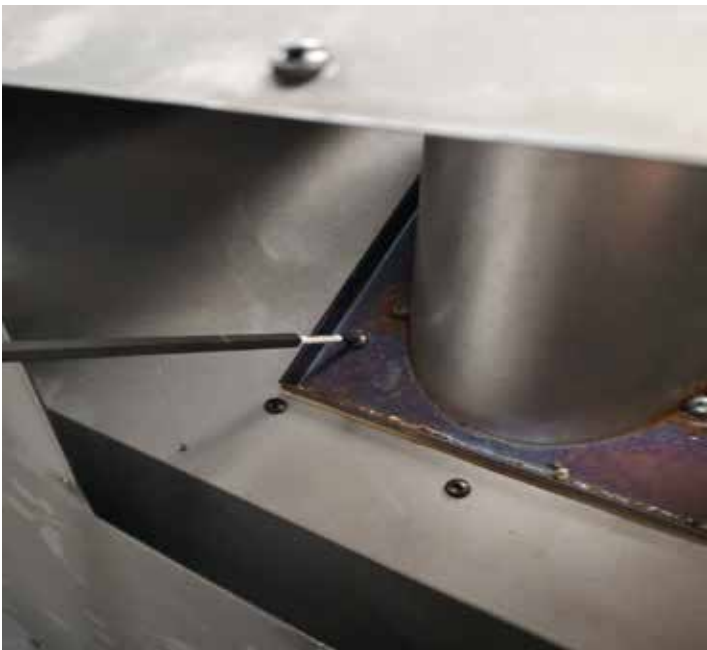


Figure 23: Vent Conversion 3.



Figure 24: Vent Conv. 4.

- Re-install the Cover Plate with the solid gasket on the top of the unit.
- Place the outer collar and gasket around the flue, centering it then re-install the screws (Figure 25).



Figure 25: Vent Conv. 5.

Framing and Finishing

Notes:

We recommend that the fireplace should be in place and venting installed before framing in or building an enclosure around the unit.

The Z25 fireplace must be framed in as described in the following section or totally enclosed with non-combustible material, such as facing brick.

The sides, back and top of the fireplace can be framed in using conventional lumber. Consult local building codes for specific requirements.

A header using 2 x 4's must be installed on top of the steel framing kit, so that the front edge of the header is flush with the steel framing kit (Figure 31).

The finishing material must not interfere with glass door and safety screen removal.

Due to high temperatures, non-combustible material board, such as cement board or its equivalent, must be used to sheet in above the fireplace. The top of the non-combustible board must extend a minimum of 21-5/8" [55cm] above the fireplace opening or level with the top of the steel framing kit- (Figure 26 on page 20). The non-combustible board can continue past this point if desired. Standard sheet rock (dry wall) may be used up to the sides of the fireplace opening.

It is recommended that the top section of the non-combustible board be a single sheet. Taped and mudded joints may crack due to the elevated temperatures.

Chase Insulation: When installing this fireplace against a non-insulated exterior, wall or chase, it is recommended that the outer walls be insulated to same degree as other exterior walls. Do not place the fireplace directly against the insulation or vapor barrier. Cover the insulation and plastic vapor barrier with a solid surface, such as dry wall (sheet rock). Consult local codes. Do not insulate the front of the chase between the top of the fireplace and the top of the supplied steel studs.

Chase Clearances

Chase Height (from floor)	Top Vented = 54"[137cm] Rear Vented = 50"[127cm]
Chase Width	36"[915mm]
Chase Depth	16"[405mm]
Standoffs to back wall and side walls	0"
Under Appliance	0"
Bottom of unit to Ceiling in front	65"[165cm] Minimum
Clearance to exposed sidewall	22"[56cm] from center of window

Framing

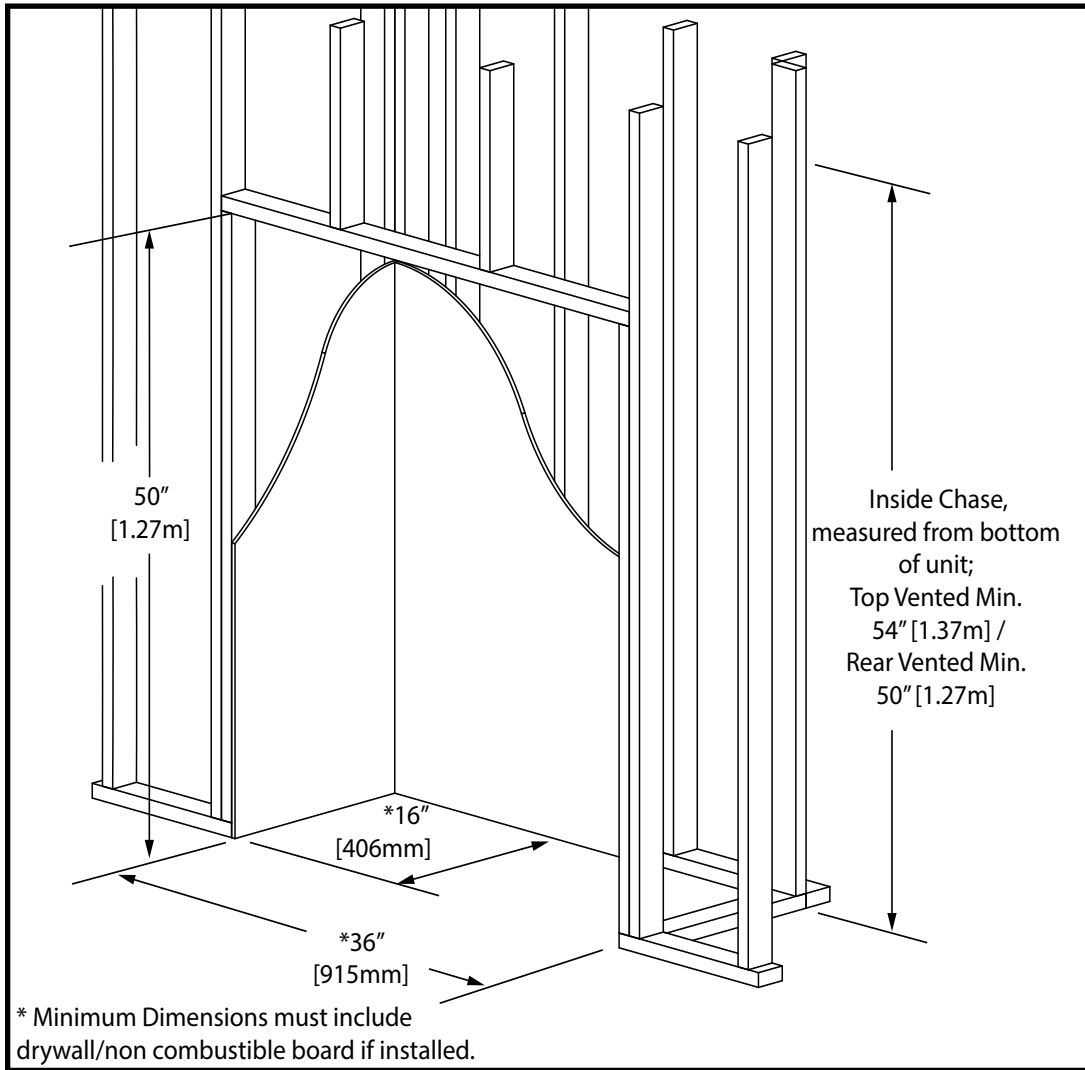


Figure 26: Z25 framing enclosure.

Framing Kit Assembly

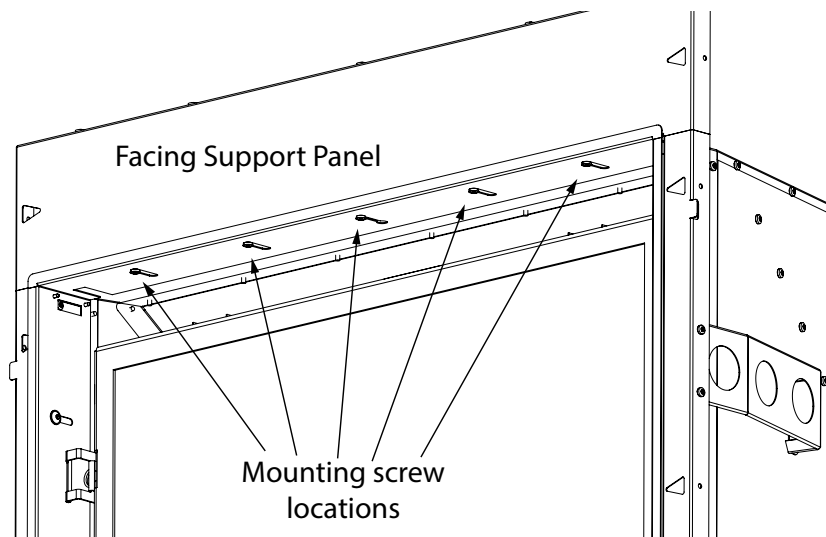
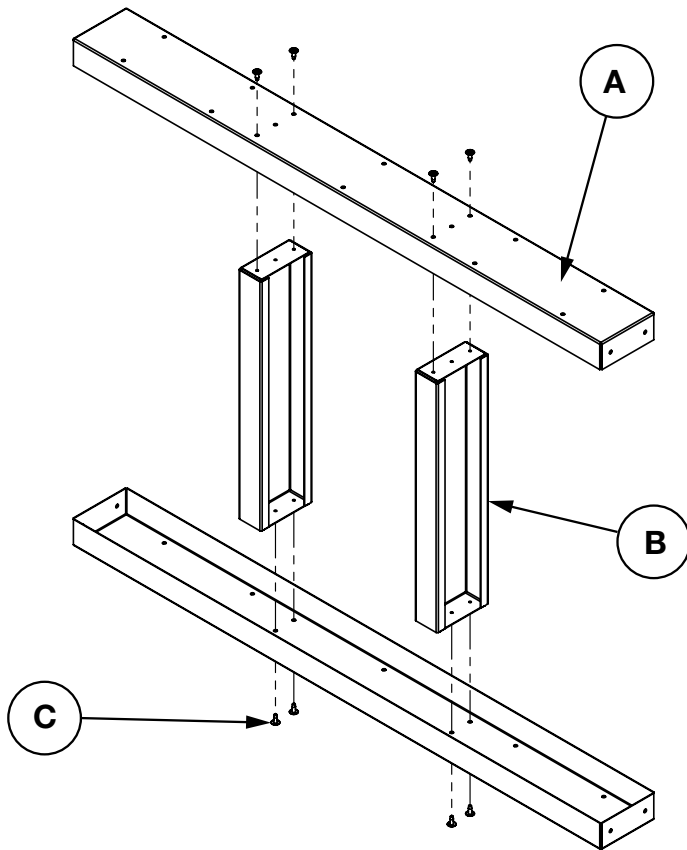


Figure 27: Facing Support Screws.

1. Unwrap the Facing Support Panel.
2. Place the edge with the three holes in the middle down on the top of the unit's Outer Casing. Align the holes in the support with the holes in the Casing Top.
3. Attach the Support to the fireplace's Outer Casing with five screws, by installing them from the underside, up into the Facing Support Panel.

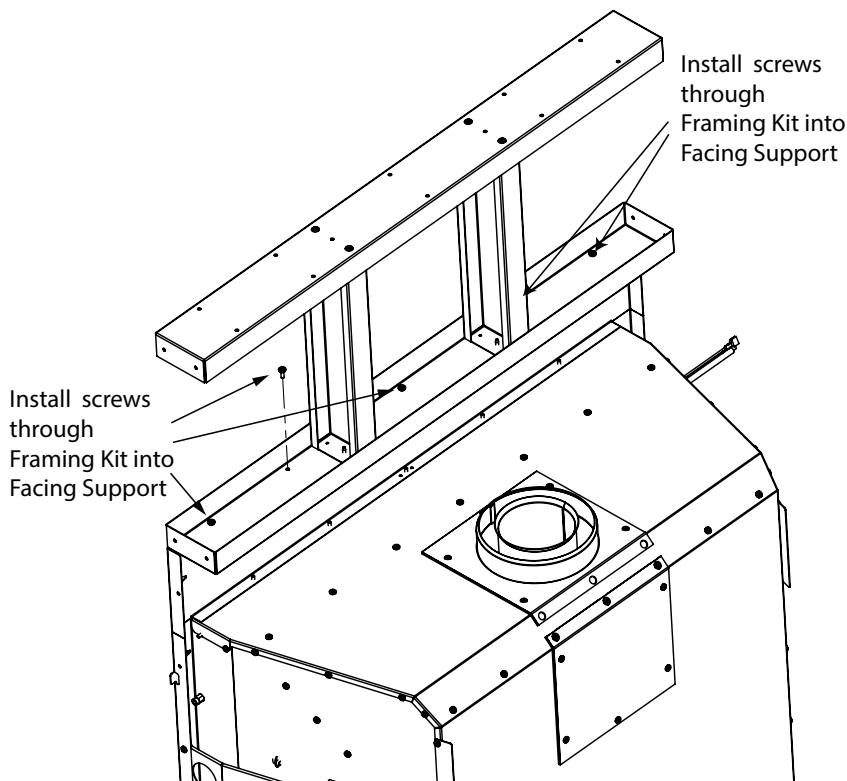


Framing Kit Components:

A	Horizontal pieces	x2
B	Vertical pieces	x2
C	Screws	x8

1. Place the vertical pieces into the Horizontal piece, line up the screw holes. Screw down through the top horizontal piece into the vertical pieces using the holes located towards the edge (Figure 28).
2. Repeat the process for the bottom Horizontal piece but screw into the middle holes and the ones closest to one of the edges. This will allow the Framing kit to assemble to the fireplace.

Figure 28: Framing Kit Assembly.



1. Place the assembled Framing Kit with the offset screws down, on top of the Facing Support Panel. Align the holes in the Framing Kit with the holes in the Support Panel.
2. Attach the Framing Kit to the Facing Support with five screws "Figure 29: Framing Kit to Support." on page 21.

Figure 29: Framing Kit to Support.

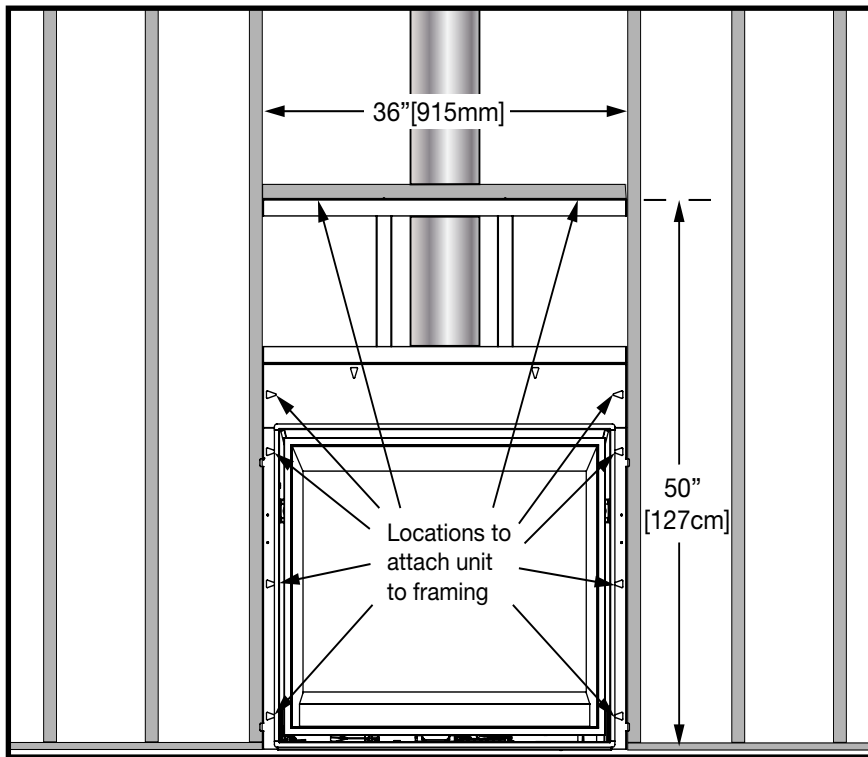


Figure 30: Z25 Framing front view.

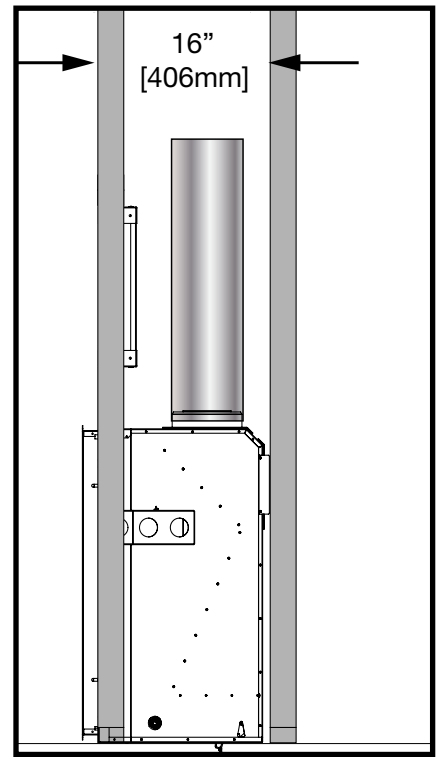


Figure 31: Z25 Right side view.

Place the framing or push the unit up tight against the framing stops. The steel stud framing included with the unit should be installed flush with the framing.

Secure the fireplace to the framing by using wood screws, The Fireplace has several places to secure it to the framing(Figure 30).

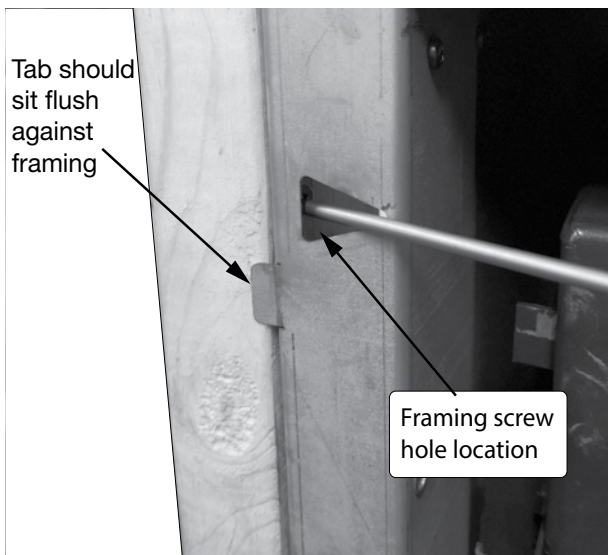
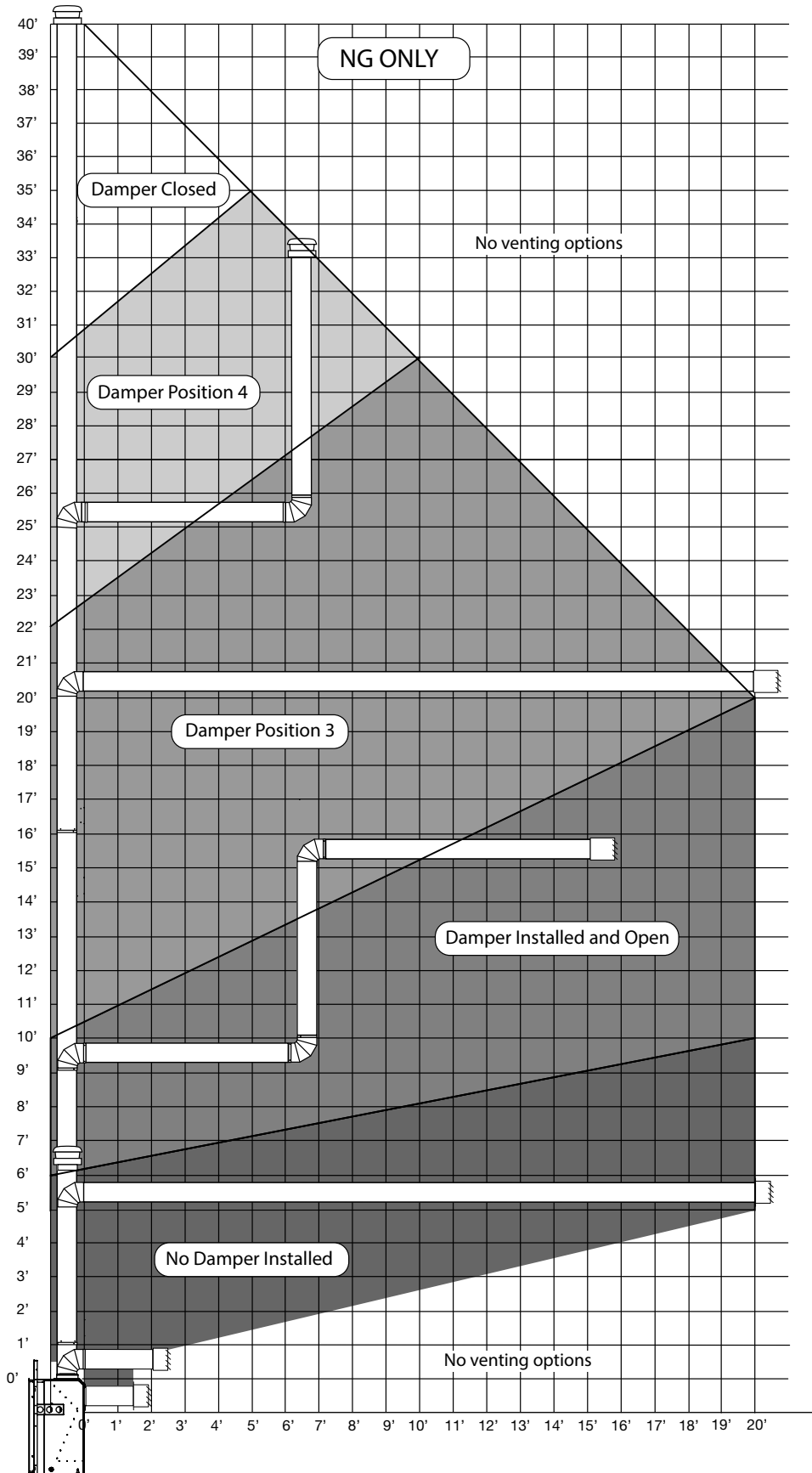


Figure 32: Z25 mount to Framing.

Venting Chart, NG



Note: The vent must not exceed a total length of 40 feet. Any combination of rise and run may be used but must be constrained to the boundaries of this chart.

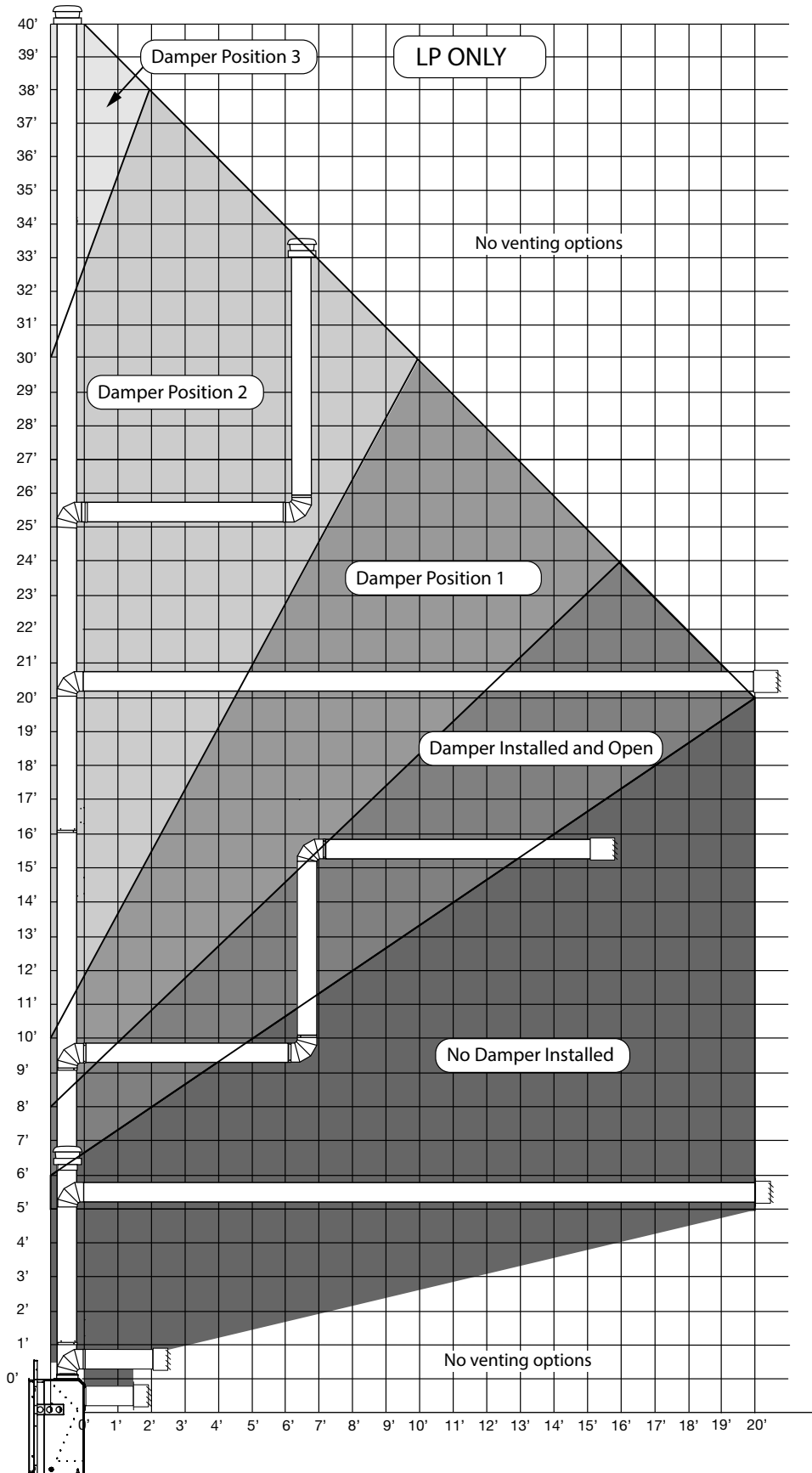
A Maximum of three 90° elbows may be used. Only one (1) 90° elbow or combination of other elbows equaling 90° can be used without reducing horizontal run. For each additional 90° elbow, or an equal combination of elbows, reduce horizontal vent run by 2 feet.

Ensure the vent pipe is properly supported.

Note: The damper positions specified in this chart were set in a controlled testing environment, and serve as a general guideline for installations. Every venting configuration is different, and the damper setting may need slight adjustment from this chart.

Figure 33: Z25 NG venting chart.

Venting Chart, Propane



Note: The vent must not exceed a total length of 40 feet. Any combination of rise and run may be used but must be constrained to the boundaries of this chart.

A Maximum of three 90° elbows may be used. Only one (1) 90° elbow or combination of other elbows equaling 90° can be used without reducing horizontal run. For each additional 90° elbow, or an equal combination of elbows, reduce horizontal vent run by 2 feet.

Ensure the vent pipe is properly supported.

Note: The damper positions specified in this chart were set in a controlled testing environment, and serve as a general guideline for installations. Every venting configuration is different, and the damper setting may need slight adjustment from this chart.

Figure 34: Z25 LP venting chart.

Venting Configuration

Horizontal venting may be supported by non - combustible supports. There must be a minimum of 3" [75mm] from the venting and any combustible material.

Fire stops must be used wherever the venting material passes through a wall, floor or ceiling.

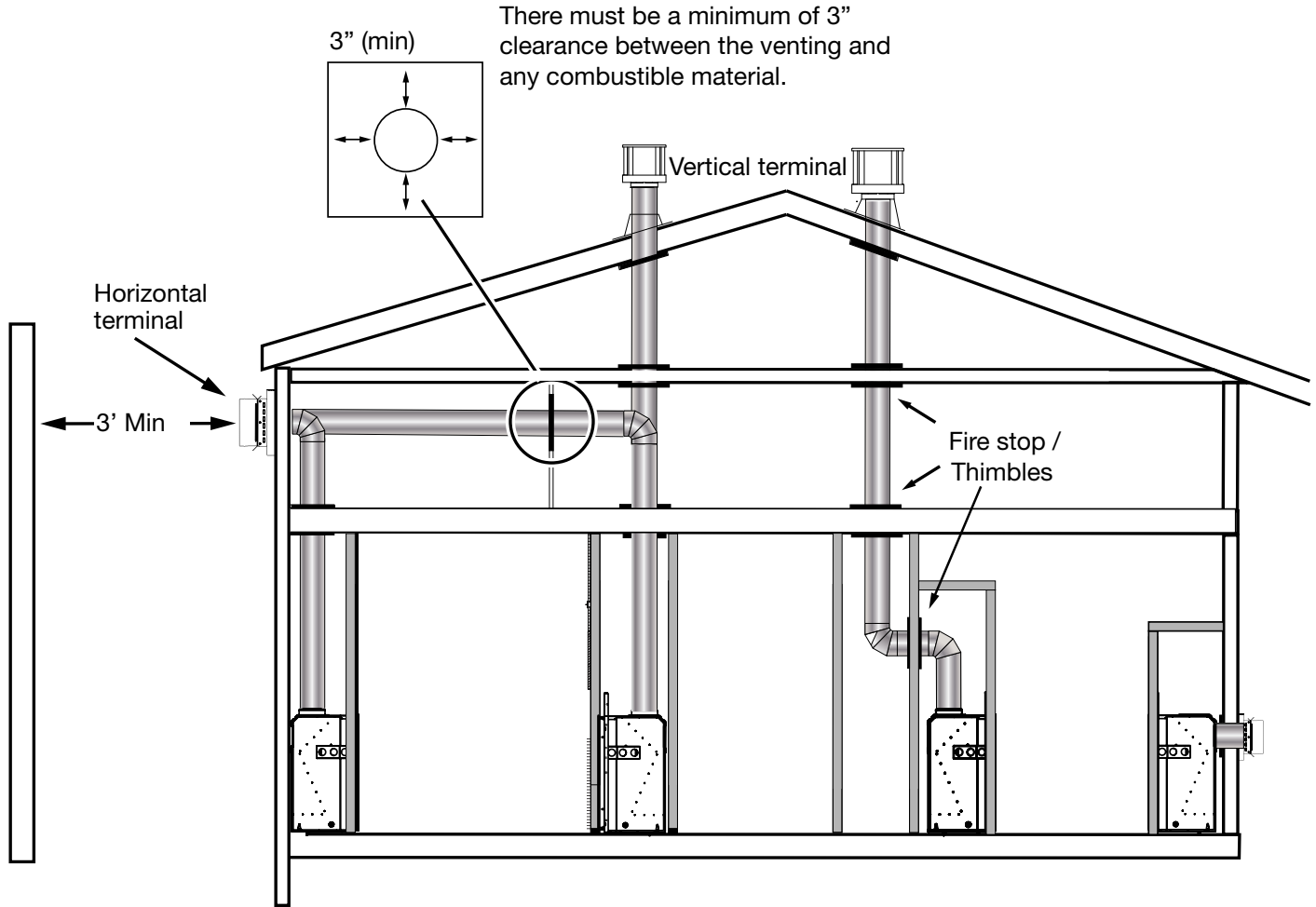


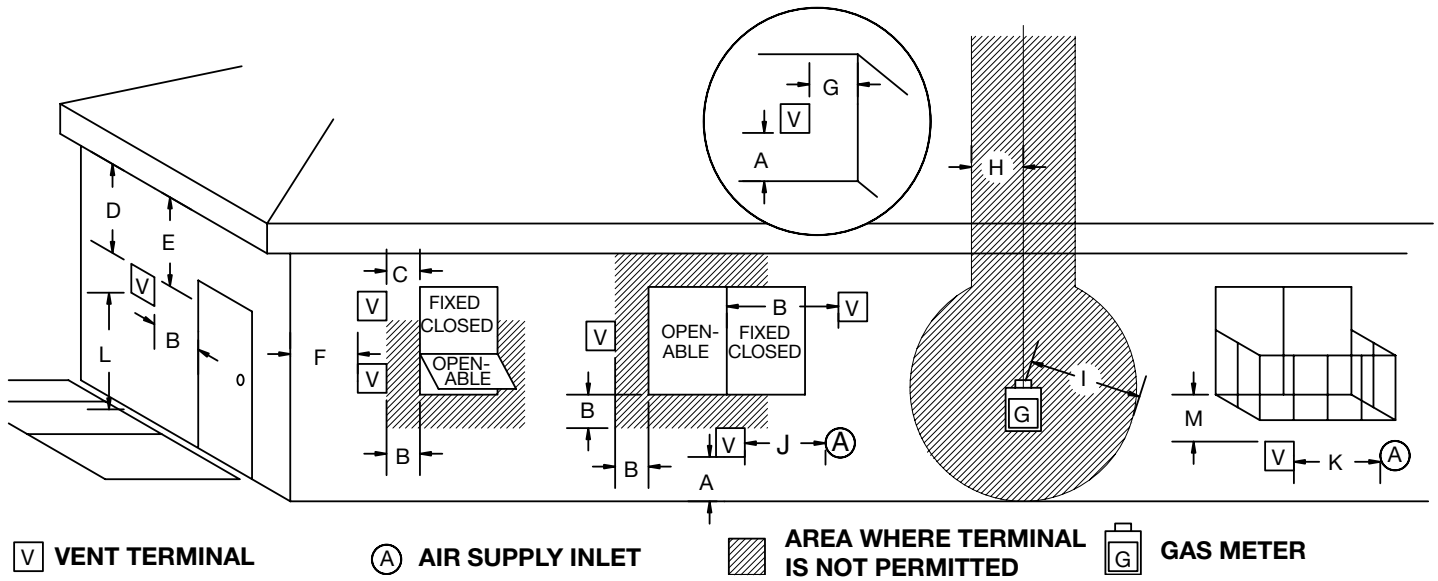
Figure 35: z25 Venting configurations.



This fireplace is certified for use with 4" x 6-5/8" coaxial venting components only. It is permitted to only use certified venting for this appliance.

NOTE: Mixing venting components from different manufacturers is inadvisable.

Vent Terminal Minimum Clearances



		Canada	US
A=	Clearances above grass, top of plants, wood, combustible veranda, porch, deck, or balcony.	12 inches (30 cm) min.	12 inches min.
B=	Clearance beside or below a window or door that may be opened.	12 inches (30 cm) min.	9 inches min.
C=	Clearance to permanently closed window recommended to prevent condensation on window.	9 inches (23 cm) min.	9 inches min.
D=	Vertical clearance to ventilated soffit located above the terminal within a horizontal distance of 2 feet (61 cm) from the center line of the terminal.	14 inches (36 cm) min.	14 inches min.
E=	Clearance to unventilated soffit from the center line of the terminal.	14 inches (36 cm) min.	14 inches min.
F=	Clearance to outside corner.	6 inches (15 cm) min.	6 inches min.
G=	Clearance to inside corner center line of the terminal.	14 inches (36 cm) min.	14 inches min.
H=	Clearance to each side of center line extended above meter/regulator assembly.	3 feet (90 cm) min. within a height of 15ft (4.5m) above the meter or regulator assembly	**
I=	Clearance to service regulator vent outlet.	3 feet (90cm) min.	**
J=	Clearance to non mechanical air supply inlet to building or the combustion air inlet to any other appliance.	12 inches (30 cm)	9 inches min.
K=	Clearance to a mechanical air supply inlet.	6 feet (1.8 m) min.	3 feet (90cm) min. above if within 10ft (3m) horizontally
L=	Clearance above paved side-walk or a paved driveway located on public property	^ 7 feet (2.1 m) min.	**
M=	Clearance under veranda, porch, deck, or balcony	‡ 12 inches (25 cm) min.	‡ 12 inches min.

** Clearance in accordance with local installation codes and the requirements of the gas supplier

^ A vent shall not terminate directly above a side-walk or paved driveway which is located between two single family dwellings and serves both dwellings

‡ Permitted only if veranda, porch, deck, or balcony is fully open on a minimum of two sides beneath the floor*

USA - In accordance with the current ANSI Z223.1/NFPA 54, National Fuel Gas Code,

CAN. - In accordance with the current CSA B149.1 Natural Gas and Propane Installation Code

Vertical Termination

Vertical termination can use either a Duravent 46DVA-VCH Vertical Terminal or an ICC TM-4" SVT Vertical Terminal. No other vertical terminals are approved for use with this fireplace.



Figure 36: Duravent 46dva-vch vertical terminal.



Figure 37: ICC TM-4SVT.

Horizontal Termination

Horizontal termination can use either a Duravent 46DVA-HSCH Horizontal Terminal or an ICC TM-4"HT Horizontal Terminal. No other horizontal terminals are approved for use with this fireplace.



Figure 38: Duravent 46DVA-HSCH Horizontal terminal.

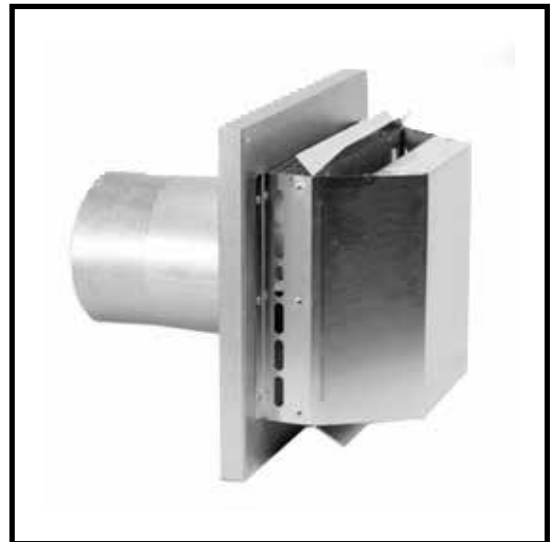


Figure 39: ICC TM-4HT Horizontal terminal.

Electrical Connection

Electrical connection

The incoming power supply to this fireplace is to be connected to the units wiring harness using wire nuts. Located on the left-hand side of the fireplace (Figure 40) is a strain relief, pass the house wire through the strain relief. Connect the house wire to the wires inside the fireplace using wire nuts (Figure 41). The ground wire from the house wire and the unit harness must be connected to the Ground Post (Figure 41). Electrical connections should be performed by a qualified electrician as per local electrical codes.

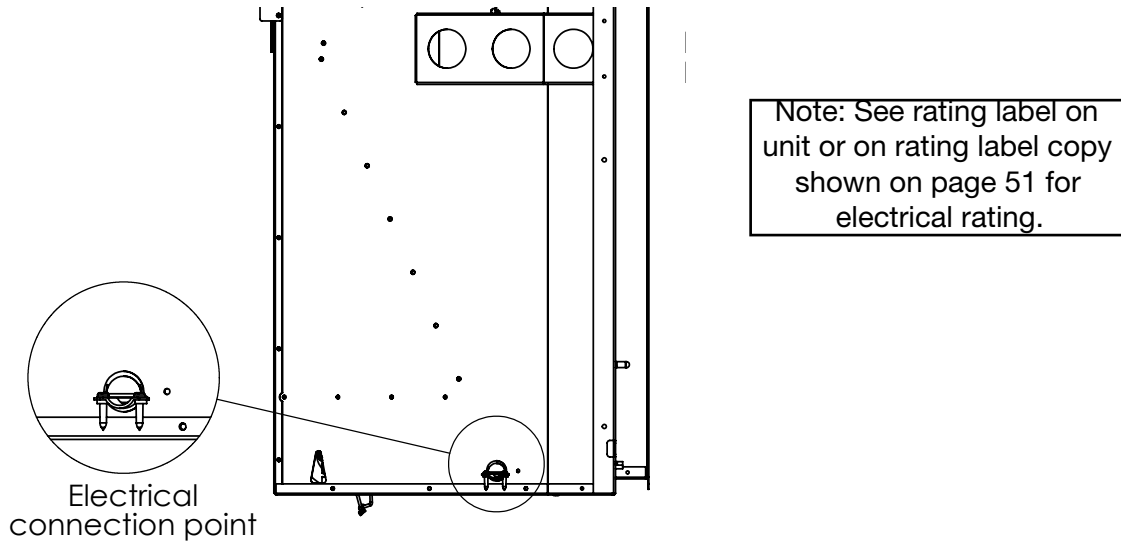


Figure 40: EI connection point.

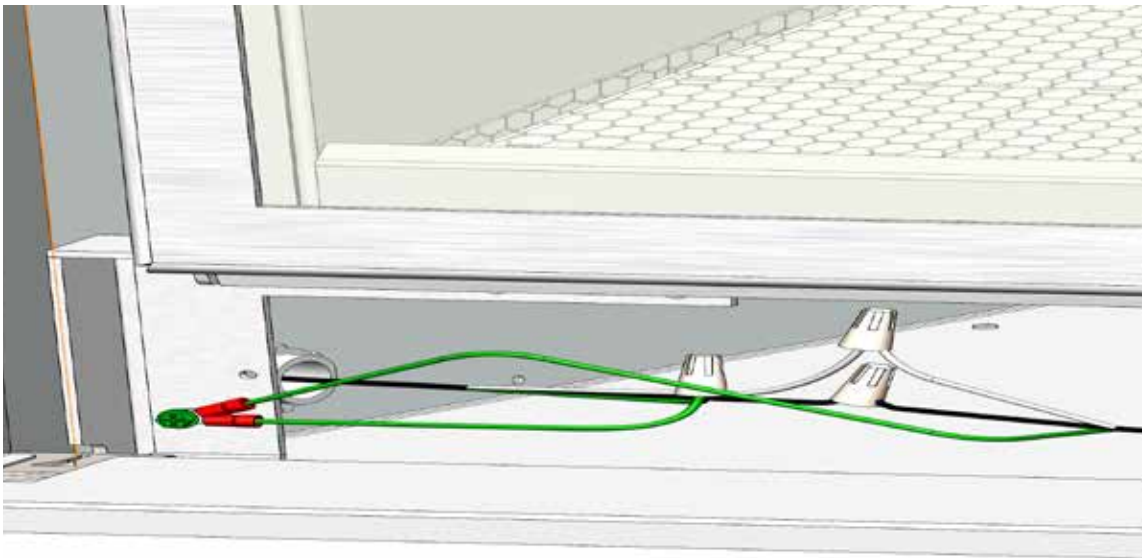


Figure 41: Z25 House wire connection.

Gas Supply Connection



Figure 42: Z25 Valve and shut off.

Servicing of the appliance can be performed from the front of the unit.

Caution: The gas line should be installed by a qualified service person in accordance with all building codes. This section is intended as a guide for qualified technicians installing this appliance. Consult local and/or national Gas/Building codes before proceeding.

- The Gas Supply Shut-off and connection is located on the right side of the fireplace. The Shut Off Valve accepts a 3/8" NPT fitting.
- Correct gas supply line diameter must be used to assure proper operation and pressure. The fireplace input rating is shown in the chart on page 33.
- A drip leg must be installed in the gas supply line going to the gas control valve to minimize the possibility of any loose scale or dirt within the gas supply line from entering the control valve.
- The valve is shut off when handle is in the "down" or "across" position.

Check local codes for additional requirements.

Turn on the gas supply and check that all connections are tight and leak free. Bleed the lines and start the unit for the first time, with the door removed.

Gas Leak Detection

A gas leak sniff test should be performed after a gas connection, gas valve or pilot assembly has been replaced or serviced. There are many different makes and models of detectors. A unit which can detect natural gas and propane must be used. Follow the gas leak detector manufacturers instructions on how to properly use the detector.

CAUTION: The electrical power to the fireplace should be disconnected at the circuit breaker before and during any gas valve or gas connection servicing or replacement. Do not reconnect the electrical power to the fireplace until after the gas leak detection test has been completed and the presence of a gas leak has been ruled out.

Propane Conversion

WARNING

This conversion kit shall be installed by a qualified service agency in accordance with the manufacturer's instructions and all applicable codes and requirements of the authority having jurisdiction.

If the information in these instructions is not followed exactly, a fire, explosion or production of carbon monoxide may result causing property damage, personal injury or loss of life.

The qualified service agency is responsible for the proper installation of this kit. The installation is not proper and complete until the operation of the converted appliance is checked as specified in the manufacturer's instructions supplied with the kit.

CAUTION

The gas supply and electrical power shall be shut off before proceeding with the conversion.

Note: Factory supplied components must be used to ensure correct input. After conversion confirm proper manifold pressure.

If the unit is to be used on propane convert as follows using the components supplied with this fireplace:

Main Burner Orifice Conversion

Gas	Orifice	Output (Btu) Max / Min
NG (All burners/ All vent configurations)	ER	25,000 / 13,500
LP Glass Burner, Rear Vented	ET	21,000 / 10,500
LP Log Burner - All vent configurations Glass Burner - Top Vented	ES	24,000 / 13,500



Figure 43: Burner Orifice.

Ensure the burner, pilot and gas supply are turned off, and the appliance has cooled.

With the burner removed, use a ½” deep socket to remove the natural gas orifice (Figure 33) from the venturi box and replace with propane orifice part:

- #ET for units vented out the rear with Glass Burner.
- or #ES for all other configurations.

Add a small amount of sealing cement to the propane orifice before installing it.



Figure 44: Main Burner Orifice.

Pilot Orifice Conversion

1. With a 7/16” wrench, loosen the pilot head slightly on the pilot assembly (Figure 45).
2. Slide the pilot adjustment band over (Figure 46) and ensure that the hole in the orifice band is showing. Figure 47 indicates that the pilot is in the Propane Gas position.



Figure 45: Pilot Conv 1.



Figure 46: Pilot Conv 2.

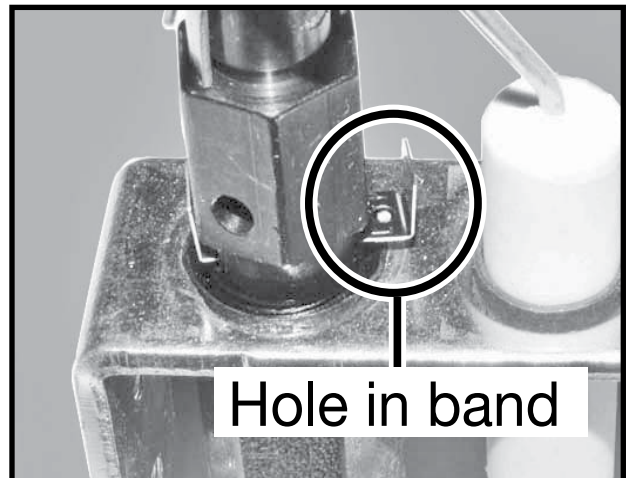


Figure 47: Band in liquid propane position.

3. Gently re-tighten the Pilot head.

For the complete valve conversion installation instructions, refer to the instruction book included in the SIT conversion kit.

1. To gain access to the wires attached to the module from the regulator servo, remove the screw holding the control module plate in the unit (Figure 48).
2. Slide the plate and module out from under the unit. Remove the Module Cover Plate to gain access to the module and the servo's connector.



Figure 48: wiring 1.

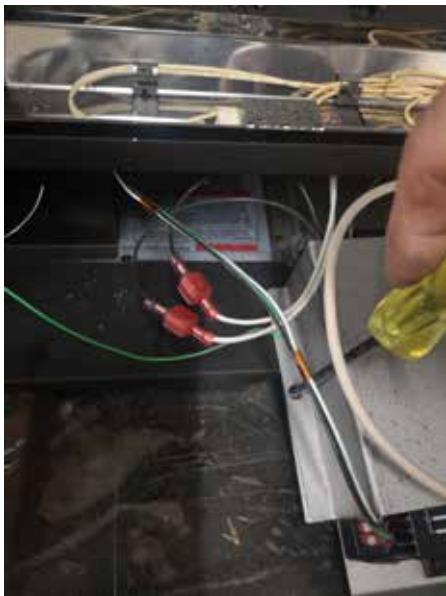


Figure 49: wiring 2.



Figure 50: wiring 3.

3. Fill in the date and the name of the person who performed the conversion in the white area on the conversion label (Figure 51).
4. Peel off the protective backing and apply the conversion label directly onto the Module Cover Plate.
5. Reinstall the cover screw and push the module mounting plate back into its original location, install locking screw

This appliance was converted to propane gas	
Kit Number	PACIFIC ENERGY
dd / mm / yy	5052.52001-B
Company	conversion a été correctement faite.
Address	responsabilité a été acceptée la
The above accepts the responsibility that this conversion has been properly performed.	l'entreprise désignée
	Adresse
	Signature
	mm / yy
5052.52001-B	Numéro d'assemblage
PACIFIC ENERGY	
Cet appareil a été converti en gaz propane	

Figure 51: CONVERSION KIT LABEL.

Gas Pressure Testing Procedure

Note: Verify gas pressures with the fireplace lit and at the highest setting.

WARNING: turn off the gas supply at the appliance before loosening the test port screws.

1. Remove the window screen / surround and locate the valve and the shut off valve.
2. Turn the gas OFF using the gas shut off valve.
3. Locate the Inlet and Manifold test ports on the valve.(Figure 52). Using a screwdriver, loosen the screw in the port you want to test. Attach a tube, connected to a pressure gauge to the test port.
4. Turn gas supply back on and verify the pressure.
5. After testing is finished for that port, turn off gas supply, remove the pressure gauge and tighten up the screw in the test port.

Gas pressure requirements

Input Pressure	Natural Gas	Propane
Minimum	5.0" WC	12.5" WC
Maximum	7.0" WC	13.9" WC
Manifold Pressure		
High	3.8" WC	11" WC
Low	1.1" WC	6.4" WC

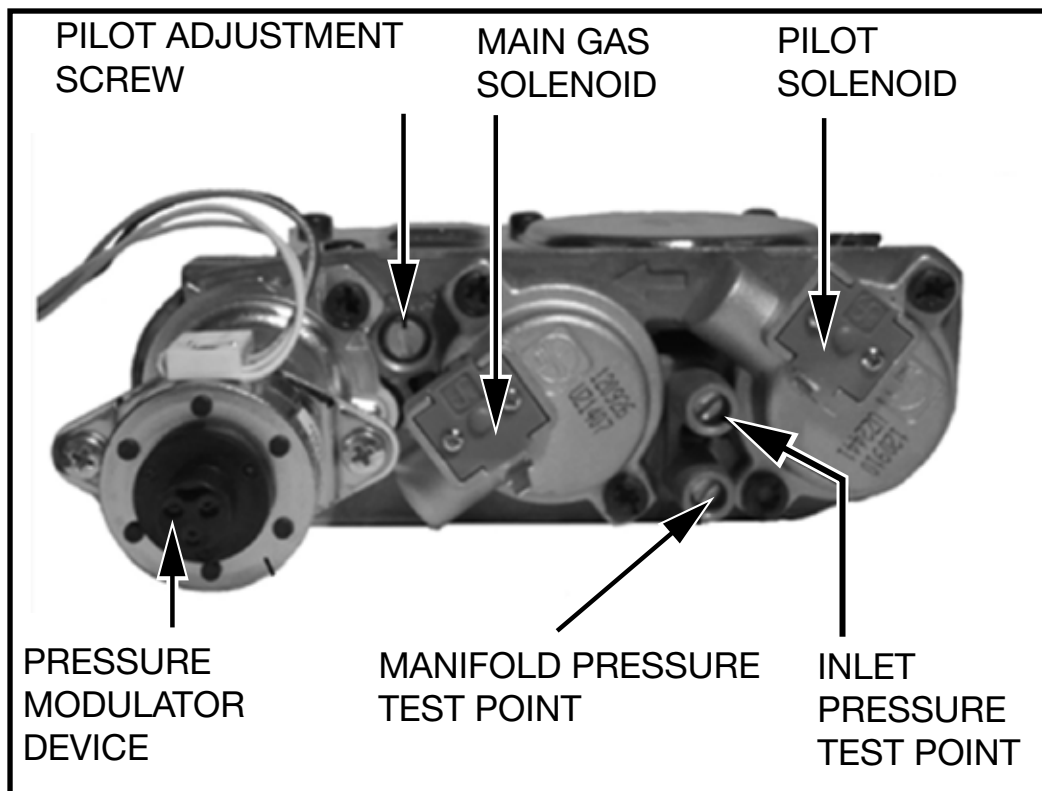


Figure 52: SIT gas control valve.

Facing and Finishing

When finishing in the wall at the front of the Z25, there are 2 zones: Dry-wall or other combustible facing materials can be used in the combustible materials **zone 1**(Figure 53). The non-combustible **zone 2**(Figure 53) must use non-combustible materials and finishes, such as masonry or calcium silicate board and tile or stone facing materials.

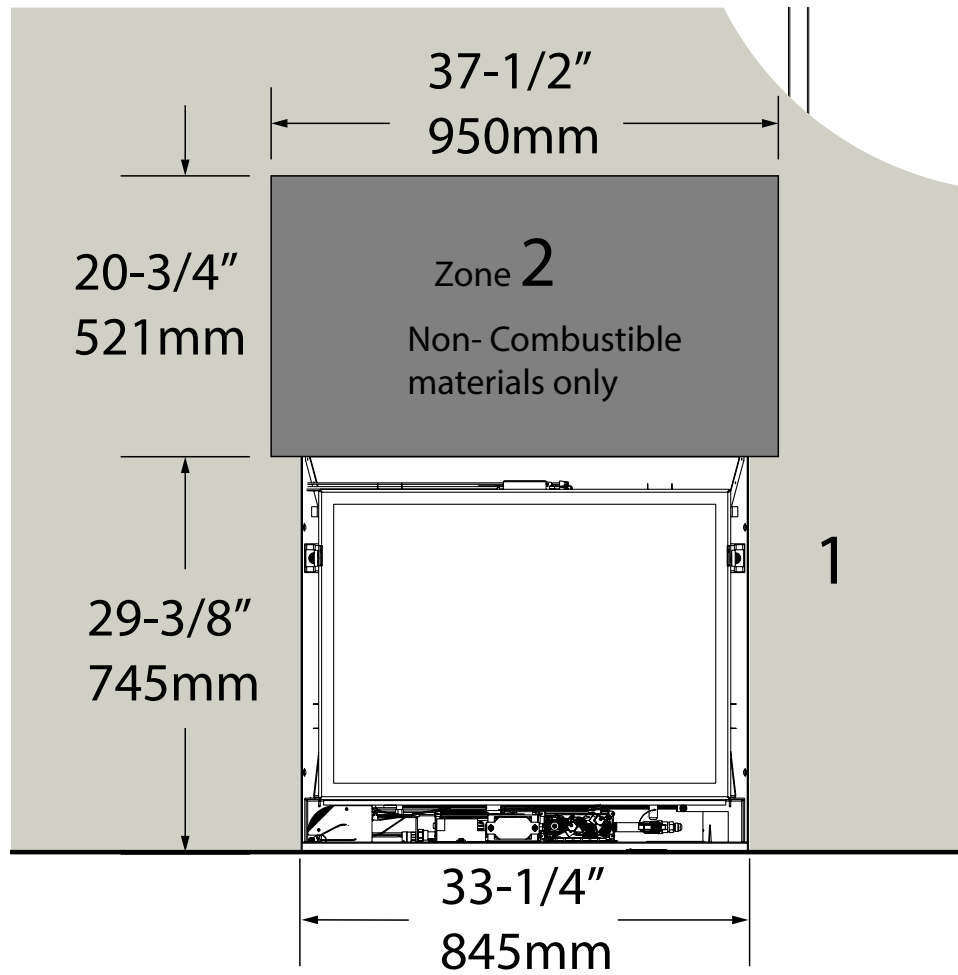


Figure 53: Z25 Finishing wall board.

- Remove the 4 screws holding the adjustable Finishing Trim in place (Figure 54). The trim can accommodate wall finishes from 1/2" to 1-1/4" (12mm to 32mm).
- Facing material may be 1/4" to flush with the inside edges of the fireplace casing. Do not place any material over the opening around the door.
- Reminder: in the area directly above the fireplace opening (zone 2), only non-combustible material may be used.
- Once the wall facing has been completed, re-install the Finishing Trim against the wall and tighten the screws.

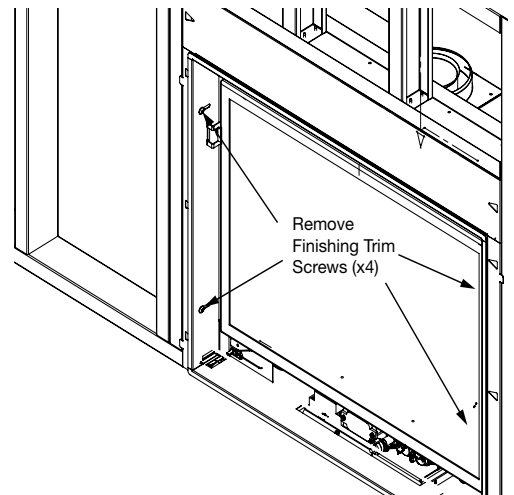


Figure 54: Z25 Finishing trim removal.

Clearances to Room Combustibles

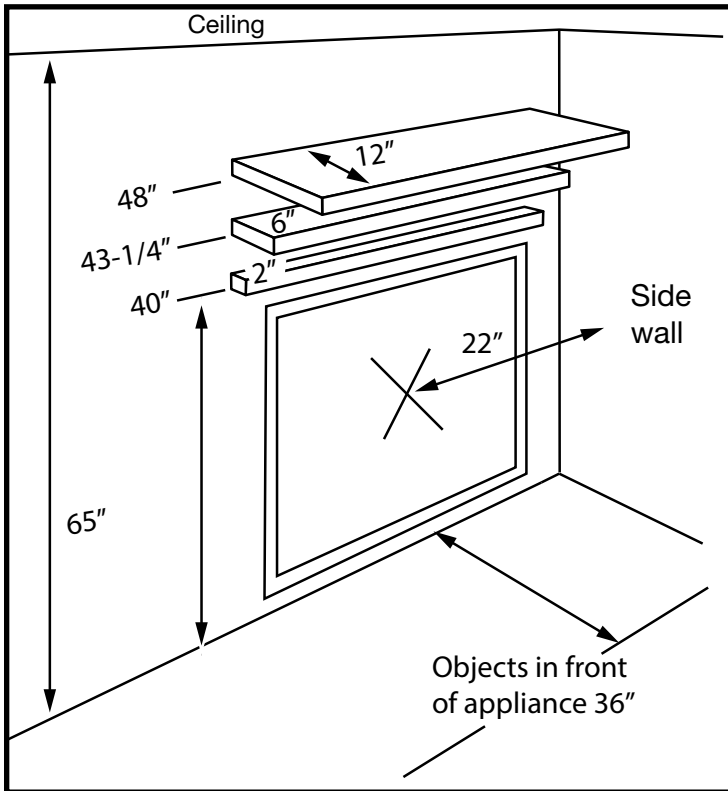


Figure 55: Z25 clearances to combustibles.

Mantel Depth / Mantel Height (from floor)
2" deep @ 40"[102cm] 6" deep @ 43-1/4"[110cm] 12" deep @ 48"[122cm]
Hearth Clearance
0"
Objects in front of Appliance
36"
Under Appliance
0"
Clearance to exposed sidewall
22"[56cm] from center of window
Bottom of unit to Ceiling
65"[165cm] Minimum

Optional Panel Installation

Optional Firebox Liner Panel sets are available in

• 3pc Black Porcelain Coated Steel	• 4 pc Ledge stone Ceramic Fiber.
• 3pc Fluted Ceramic Fiber.	• 4pc Red Brick Ceramic Fiber.

Installation

Note: Optional Firebox Panels should be installed before burner media tray is installed.

1. Remove the front trim from between the ember tray and the door opening (Figure 56). Loosen the screws holding the adjustable flanges on either side of the ember tray (Figure 57). Slide the flanges in towards the middle (Figure 58).



Figure 56: Trim Removal.

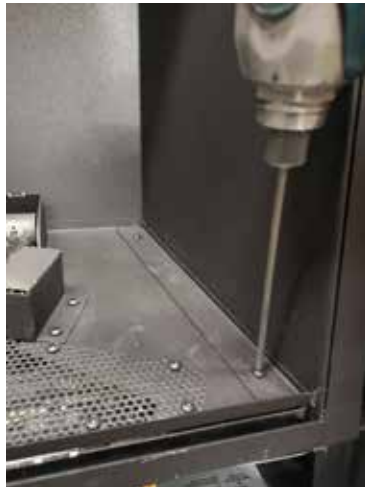


Figure 57: Ember Tray Flange.



Figure 58: Tray Flange 2.

2. Lift the ember tray up and over the burner, then out of the firebox.
3. Remove the clip (located inside the door frame at the top of the firebox), holding the stock side panels in place (Figure 59). Pull the top of the Side Panel inward then rotate and tip the panel forward to remove. Repeat for the other side while holding the rear panel in place.
4. Remove the lower Rear Panel.



Figure 59: Panel Clip.



Figure 60: Panel Clip 2.

5. Remove the 4 screws holding the top panel in place. Carefully pull the panel down and out.

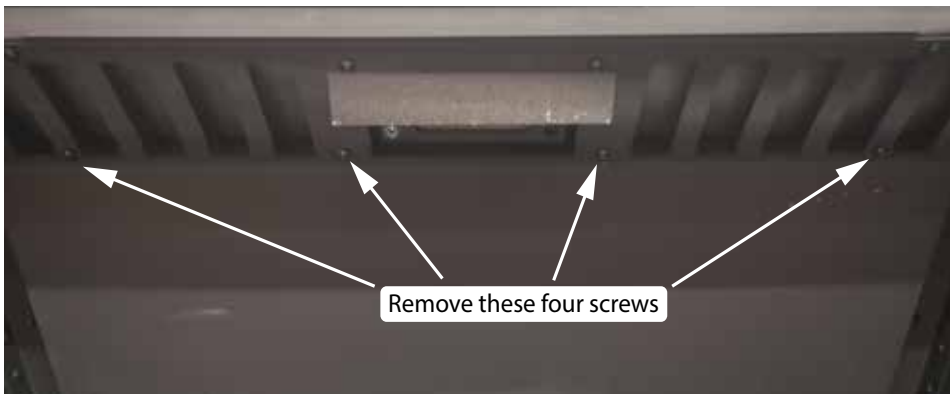


Figure 61: Top Screws.

Figure 62: Top Removal.

6. When Installing the Fluted or Red Brick Panel Sets the Spacer Tabs on the sides and back shelf need to be bent up (Figure 63), to hold the panels in place. Place a small tool in the hole and bend the tab up 90 degrees, towards the side or back wall

7. Place the rear panel on the back shelf and center left to right (Figure 64) note: for Porcelain Panel - Orient the rear panel so that the two notches are at the top.

8. While holding the back panel, install the left then right panels by placing the bottom in first then tilting and rotating the panel into place (Figure 65). Re-install the side panel retaining Clips. Caution: the fiber panels are fragile and can be damaged if forced into place. Trim panel slightly if there is a fitting issue.



Figure 63: Panel Spacer tabs.



Figure 64: Rear Panel install.



Figure 65: Side Panel Install.

9. a: If your panel set comes with a Top Panel - gently insert the large tab at the back of the top panel into the opening on the rear panel (Figure 68). Hold the panel in place and install the retaining clips provided (Figure 70).



Figure 68: Top Panel Install A.



Figure 69: Top Panel Install B.



Figure 70: Top Panel Clips.

- b: If your set does not include a top panel - Re install the steel top panel that was removed in section 5.

10. Re-install the Ember Tray and adjust the side flanges out to fit tight against the panels (Figure 57).

11. Install the front trim in the space between the Ember tray and the door frame (Figure 56).

Log Set Installation

- If you are installing any of the Optional Firebox Panel Sets, install them before continuing with installation of the log set.
- With the ember tray installed, insert the front trim piece between the ember tray and the inside front edge of the door frame opening.
- Using the remote control, turn on the Ember Lights (Do Not Turn On the Burner) to verify all the lights are working after transport. If any of the lights are out, remove the ember tray and check the wires and bulbs.



Figure 71: Ember.

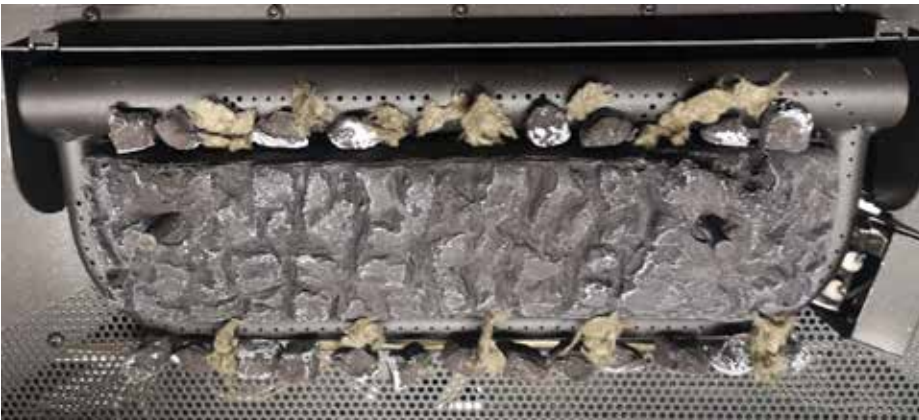


Figure 72: z25 Burner Embers.



Figure 73: z25 Rear Log.

1. Place the large ember bed in the center of the burner tubes.
2. Insert an ember chunk on each of the points located along the edge of the ember tray in front of the burner (Figure 71).
3. Place a few ember chunks along the valley between the large ember and the burner.
4. Place some of the pulled ember fluff between the chunks along the front and rear burner sections (Figure 72).
5. Place the Rear Log on top of the bent over tabs on each side of the burner box. Push the log against the rear panel and center left to right in the firebox (Figure 73).

- Place the right side log by aligning the hole in the bottom of the right log over the pin in the rear log (Figure 74). Make sure that the end of the log does not stick out past the door opening (Figure 75).
- Install the left log in the same way on the other side (Figure 76).



Figure 74: z25 Right Log (a).



Figure 75: z25 Right Log (b).



Figure 76: z25 Left Log.

- Evenly spread the amber glass media out in front of the burner ember chunks along the front of the tray (Figure 77).
- Lightly spread the vermiculite pieces randomly over the glass to create the effect of lighter and darker ember spots in the ember bed (Figure 78).



Figure 77: z25 Glass Embers.



Figure 78: z25 Vermiculite.

10. Rest the Front Left Log over the pin on the left of the Ember Bed as shown (Figure 79)

11. Place the Front Right Log over its pin on the right side of the Ember Bed and rest it in place as shown in the picture (Figure 80)



Figure 79: z25 Front Left Log.



Figure 80: z25 Front Right Log.

12. Gently place the left and Right Ember Pieces on the glass ember material as shown (Figure 81).

13. Place the center twig, bridging between the ember Bed and the little pad on the Front Left Log resting it against the Front Right Log (Figure 81)

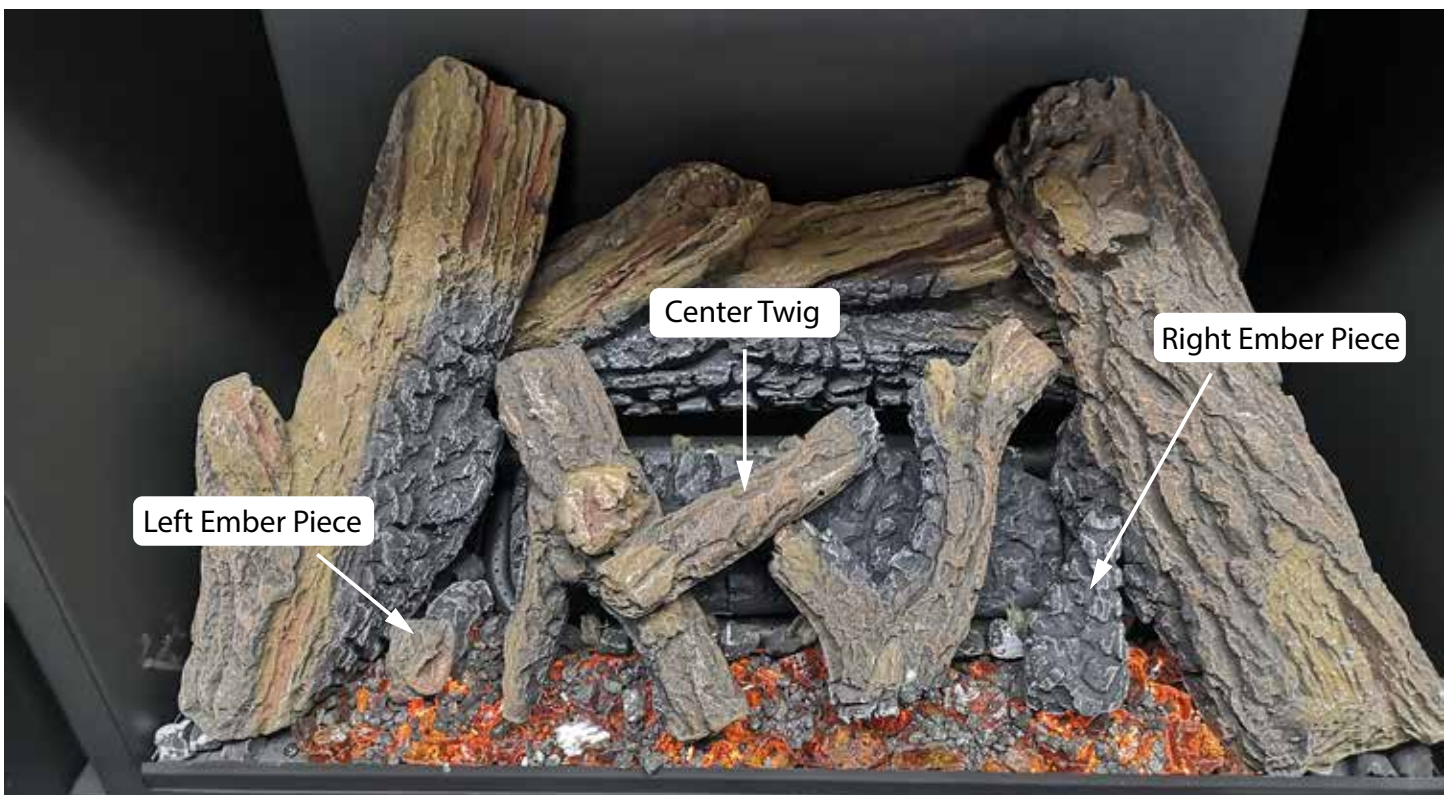


Figure 81: z25 Ember chunks - Center log.

Safety Screen Removal/Installation

1. Mount the Safety Screen by locating the lower hooks on the screen assembly (Figure 82).
2. Place these hooks into the slots located on the floor of the fireplace on either side of the firebox (Figure 82).
3. Push the top of the screen toward the fireplace so that the upper tabs on the safety screen, fit over top of the mounting hooks (Figure 83).

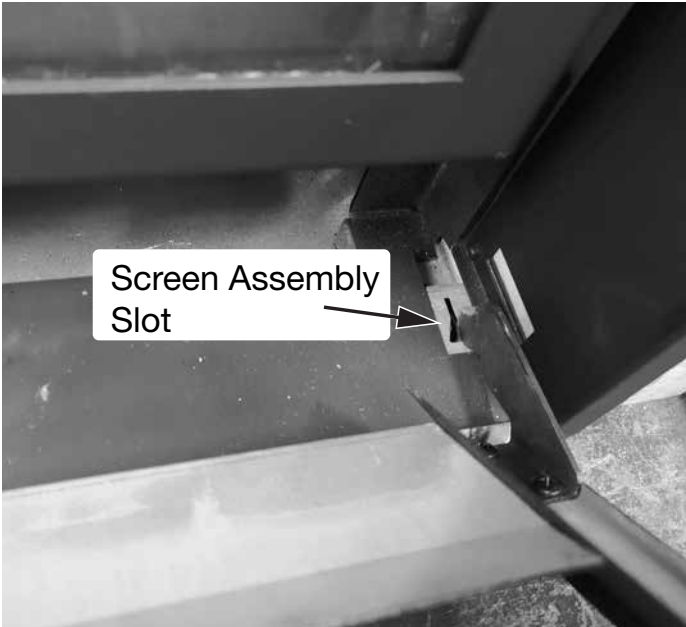


Figure 82: Screen Mounting Slot.

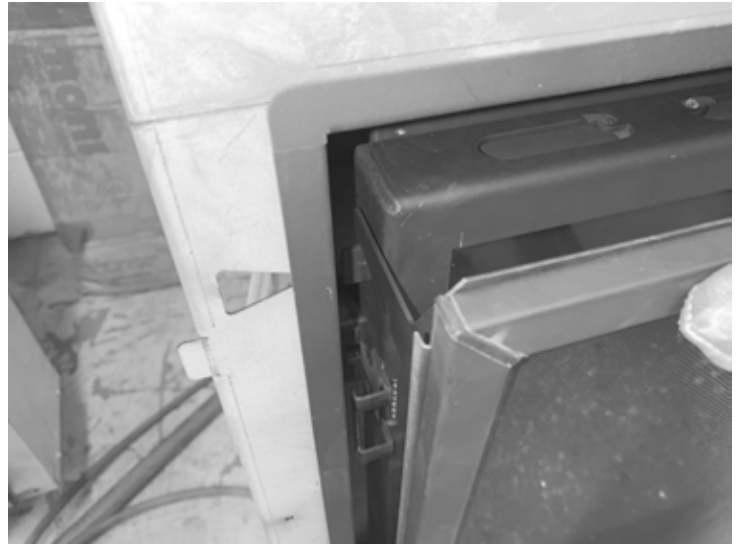


Figure 83: Screen Catch.

Door Removal/Installation

1. The Door Catches are located on either side of the door near the top. While holding the door frame, pull the door catches towards you and then out. This will disengage them from the Door
2. Pull the door open from the top then lift up to remove the door tabs from their slots.



Figure 84: Door Latch 2.



Figure 85: Door Latch.

To Install:

1. Place the hooks on the sides of the door into the Pivot slots located on the floor of the fireplace on either side of the firebox (Figure 86).
2. Push the top of the door frame toward the fireplace until the door fits against the firebox front. While holding the door frame, pull the catches out until the hooks clear the door frame. Placing the hooks into the slots in the door.

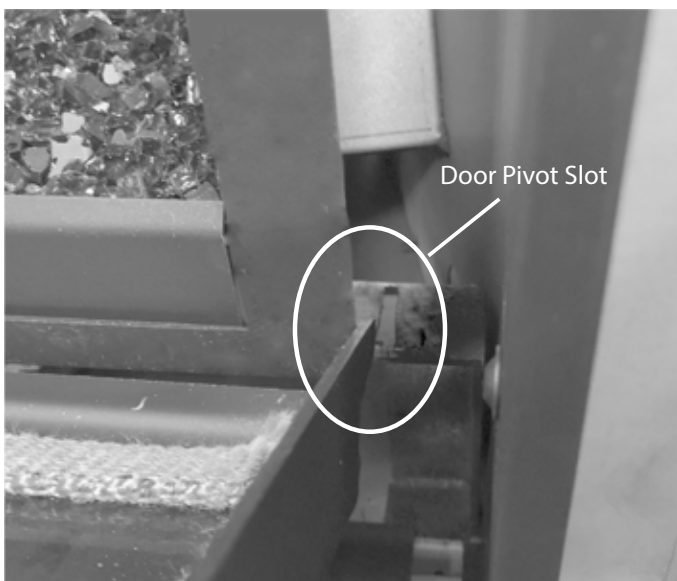


Figure 86: Door Hinge location.

Venturi Adjustment

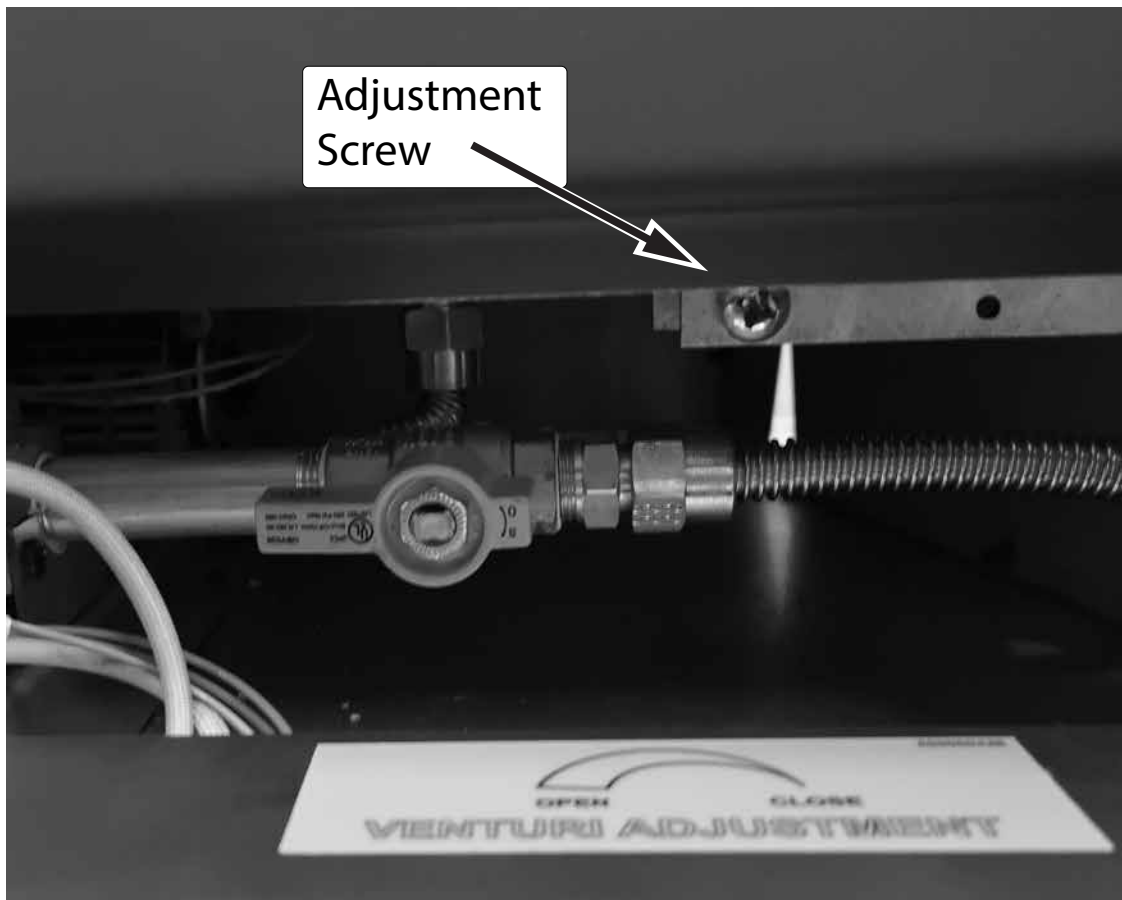


Figure 87: Z25 Venturi adjustment.

The Z25 fireplace venturi adjustment is easily accessible and adjustable without having to remove the glass door.

To adjust the burner venturi:

1. With the fireplace turned off, check that the front surround is cool to the touch.
2. Remove the front surround from the fireplace.
3. With the fireplace turned on, use the adjustment screw, located under the door on the right hand side (Figure 87) to adjust for flame appearance. Rotating Clockwise closes the damper and Counterclockwise will open it.

Note:

The venturi settings on the fireplace come preset from the manufacturer. The unit comes configured for natural gas with the venturi adjustment set at the fully closed position. When converting to propane gas set the venturi adjustment at the fully open position. It may be necessary for the installer to make a minor adjustment, whether using a natural gas or a propane, to achieve the desired flame pattern and/or to eliminate sooting.

Damper Installation



Figure 88: Damper Kit parts.

Your fireplace is packaged with a Damper Kit. The kit contains a mounting plate, a sliding damper and mounting hardware. Installation of the Damper Kit depends on the venting and final location of the terminal. Check with the venting charts on "Figure 33: Z25 NG venting chart." on page 23 and "Figure 34: Z25 LP venting chart." on page 24 for requirements.

- Remove the Screen and Door assemblies per instructions.
- The angled back shield of the firebox is a removable part. Remove the 4 screws across the top of the panel. Pull the panel gently towards you to release it from the retainers on the back of the firebox. The flue opening will now be visible (Figure 89).

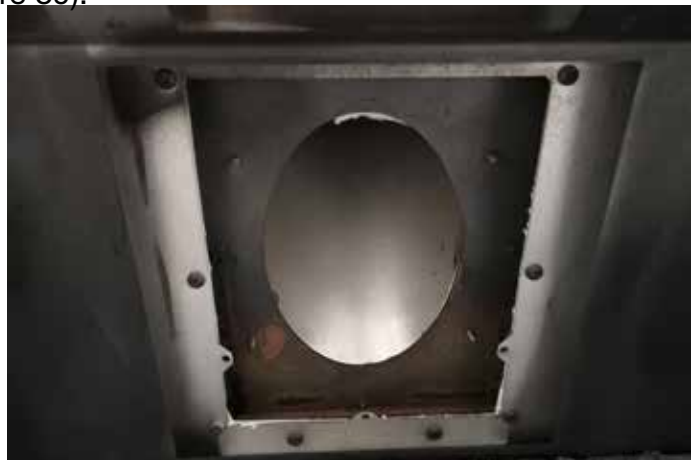


Figure 89: Flue opening.

- Using the screws provided, install the Mounting Plate (3 screws) with the pressed in nuts on the top side of the plate (Figure 90).
- Using the 2 bolts provided, install the Sliding Damper plate (Figure 91)



Figure 90: Mounting Plate.



Figure 91: Sliding Damper.

Damper Adjustment

- Adjust the damper by loosening the two bolts (3/8) and sliding the damper plate to the desired marked notch. These numbered notches correspond to the Venting Charts “Figure 33: Z25 NG venting chart.” on page 23 and “Figure 34: Z25 LP venting chart.” on page 24.
- Tighten the bolts.

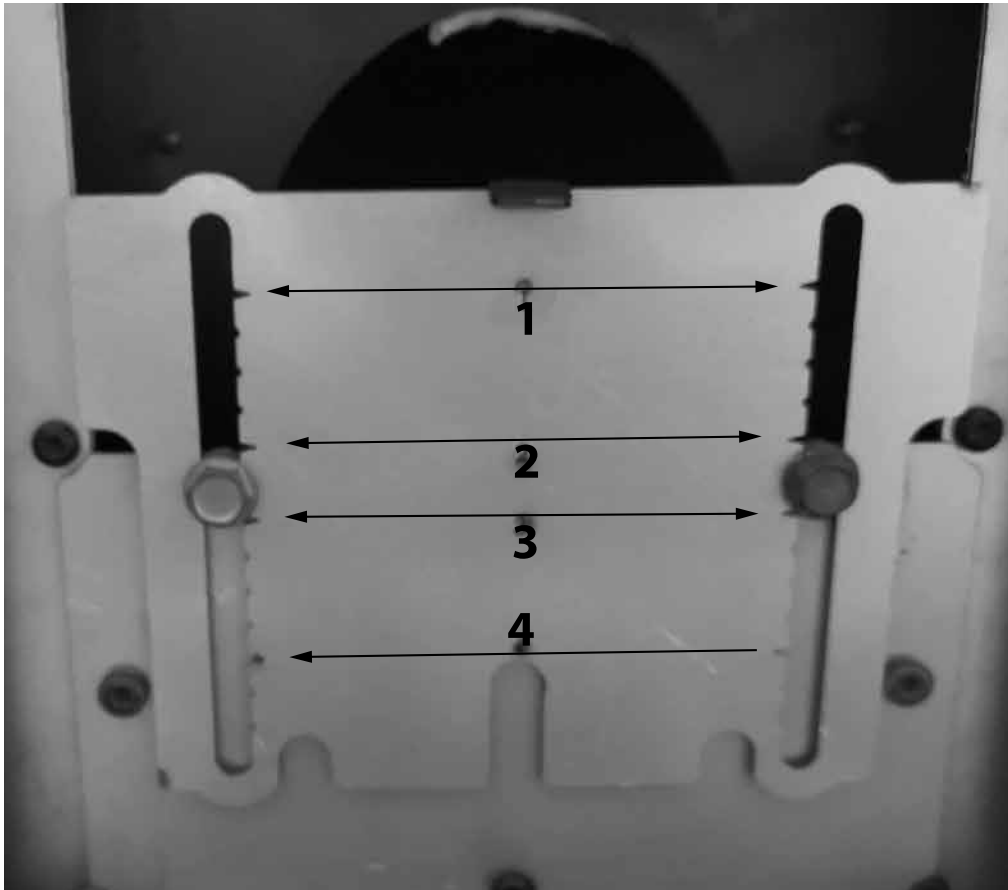


Figure 92: Damper Notches.

- Re-install the rear shield by sliding it back into the retainers on the back of the unit then tilting the front up and installing the 4 screws across the top.

Note: Be aware that the damper adjustment mechanism may be hot if the fireplace has been burning for any length of time.

Electrical Control Panel Removal / Installation

Removal

1. Remove the Front Screen Trim when cool.
2. Remove the screw holding the control tray in place. Lift up the edge to clear the painted lintel and pull out carefully.
3. Undo the screw holding down the cover.



Figure 93: Control mount screw.

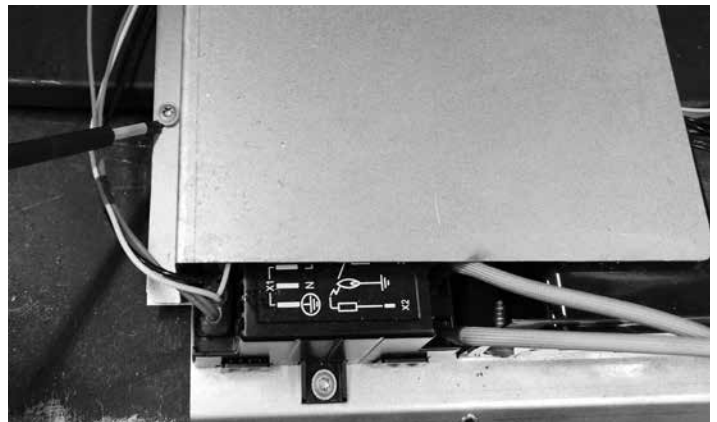


Figure 94: Control Cover screw.

Installation

1. Place the wires under the hold down tabs, making sure that all of the wires are held, to prevent them from touching the bottom of the burner. Bend the tabs to hold the wires secure.



Figure 95: Fireplace Controls.

2. Install the cover and secure with the screw.
3. Slide the Control Tray into the unit, Align the two tabs with the locating slots. Install and tighten the Control Mount screw.

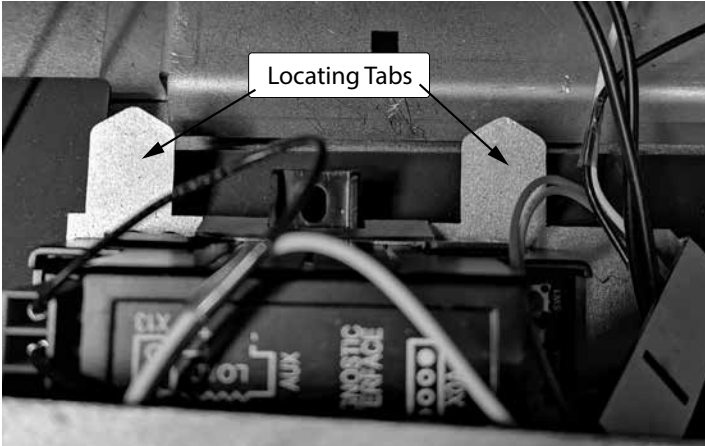


Figure 96: z25 Mounting Tabs.

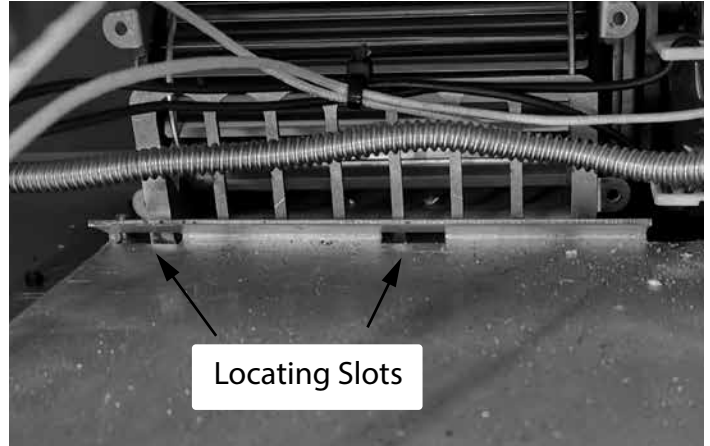


Figure 97: z25 Mounting Slots.

Halogen Lamp Replacement

This fireplace comes with a Halogen Lamp which may need to be replaced on occasion. To access the bulb:

1. Remove the safety screen from the fireplace, see “Safety Screen Removal/Installation” on page 42.
2. Remove the glass door. See “Door Removal/Installation” on page 43.
3. Remove the 2 screws holding the light shield in place (Figure 98).
4. Remove the 2 bolts holding the Lens Cover (Figure 99), Be careful when removing as the glass lens is loose in its holder.
5. Remove the old lamp by gently pulling it out of its socket (Figure 100).



Figure 98: Shield Screw.



Figure 99: Lens cover.

6. Wear gloves when installing a new lamp, touching the lamp with bare fingers will leave oil and residue on the lamp and can reduce the lamps' life span.
7. Make sure the gasket is in good condition. The gasket goes between the firebox top and the glass then the cover holds the glass against the gasket. Re-install the bolts and hand tighten.
8. Re-install the Shield, the glass door and screen before operating the unit.



Figure 100: Top Light Bulb.



Module & Gas Valve Details

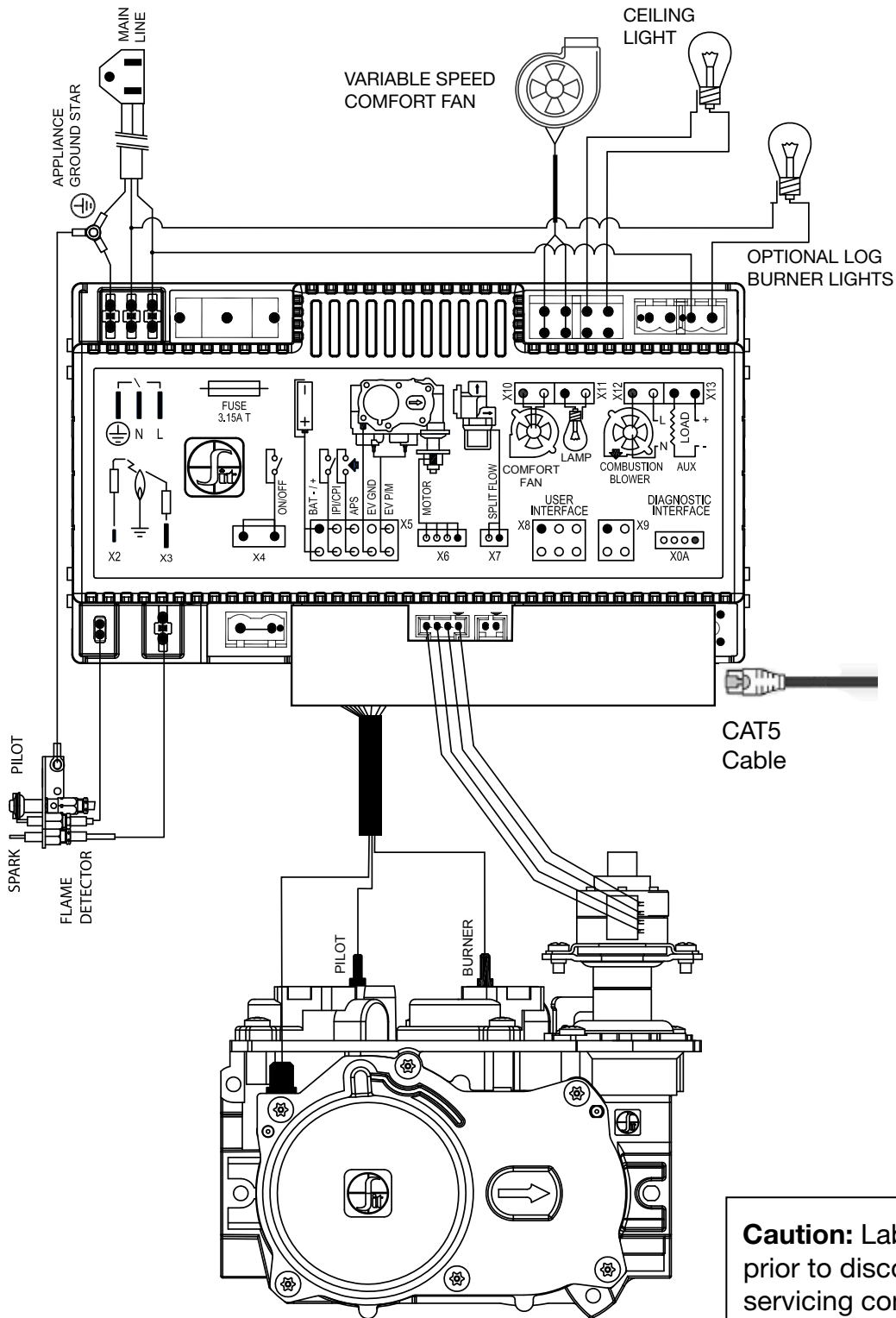


Figure 101: SIT wiring diagram.

Caution: Label all wires prior to disconnection when servicing controls. Wiring errors can cause improper and dangerous operation. Verify proper operation after servicing.

Rating Label



VENTED GAS FIREPLACE - NOT FOR USE WITH SOLID FUEL.

9123456789



**MODEL:
Z25**

**SERIES
A
MADE IN CANADA**

ANSI Z21.88-2019 / CSA 2.33-2019 Vented Gas Fireplaces/Heaters.
CAN/CSA 2017/CGA 2.17-M91 Gas-Fired Appliance For Use
At High Altitudes

Certified for Canada and U.S.A.

FOR USE WITH:

Minimum supply pressure:
(For the purpose of input adjustment)
Maximum supply pressure:
Manifold pressure : Maximum

Orifice Size:
Input BTU/hr (kW)

This appliance is Equipped For Use With	
NATURAL GAS ■	LP GAS ■
NATURAL GAS	LP GAS
5.00 in/wc 5.00 po/c.e. (1.24 kPa)	12.50 in/wc 12.50 po/c.e. (3.11 kPa)
13.90 in/wc 13.90 po/c.e. (3.46 kPa)	13.90 in/wc 13.90 po/c.e. (3.46 kPa)
3.50 in/wc 3.50 po/c.e. (0.87 kPa)	10.00 in/wc 10.00 po/c.e. (2.49 kPa)
ER	ES
Max: 25,000.00 (7.33) Min: 13,500.00 (3.96)	Max: 24,000.00 (7.03) Min: 13,500.00 (3.96)

Electrical rating:115V, 60hz, 1.2 A

This appliance equipped for altitudes 0 - 4500 ft. (0 - 1371.6 m). In Canada, also certified for installation in a bedroom or a bedsitting room. This appliance must be installed in accordance with local codes, if any; if none, follow the current CAN/CGA-B149 (Canada), or ANSI Z223.1 (USA) Installation Codes

MANUFACTURED (MOBILE) HOME: This appliance is only for use with the type of gas indicated on the rating plate and may be installed in an aftermarket, permanently located, manufactured (mobile) home where not prohibited by local codes. See owners manual for details. This appliance is not convertible for use with other gases, unless a certified kit is used. Install in accordance with the current standard Mobile Homes, CAN/CSA Z240 MH (in CANADA), and the Manufacturer's Home Construction and Safety Standard, Title 24 CFR, Part 3280, or the current Standard for Fire Safety Criteria for Manufactured Home Installations, Sites, and Communities ANSI/NFPA 501A, (in the U.S.A.). For OEM installation in a manufactured home (USA only) or mobile home only.

FOR USE WITH THE GLASS CERTIFIED WITH THE APPLIANCE ONLY
For use only with barrier part #100004568. Follow installation instructions.

MINIMUM CLEARANCES TO COMBUSTIBLES Left and Right side are determined when facing the front of the appliance.	
Hearth In Front	0.00 in./0.00 po (0 mm)
Objects In Front	36.00 in./36.00 po (914 mm)
Bottom of Appliance to Minimum Mantel Depth	40.00 in./40.00 po (1016 mm)
Center to sidewall	22.00 in./22.00 po (559 mm)
Under Appliance	0.00 in./0.00 po (0 mm)

**Pacific Energy
Fireplace Products Ltd.
Duncan, British Columbia
Canada**

CAN/CSA P.4.1-15 Efficiency: NG: 71.7% LP: 69.1%
DATE OF MANUFACTURE 11/2020

WARNING: Improper installation, adjustment, alteration, service or maintenance can cause injury or property damage. Refer to the owner's information manual provided with this appliance. For assistance or additional information, consult a qualified installer, service agency or the gas supplier. This vented gas fireplace is heater is not for use with air filters. Sections of the venting system have not been installed. **WARNING - Do not operate the appliance until all sections have been assembled and installed in accordance with the manufacturer's instructions.**

CAUTION: Do not operate the appliance with glass removed, cracked, or broken.

Replacement of the panel(s) should be done by a licensed or qualified service person.

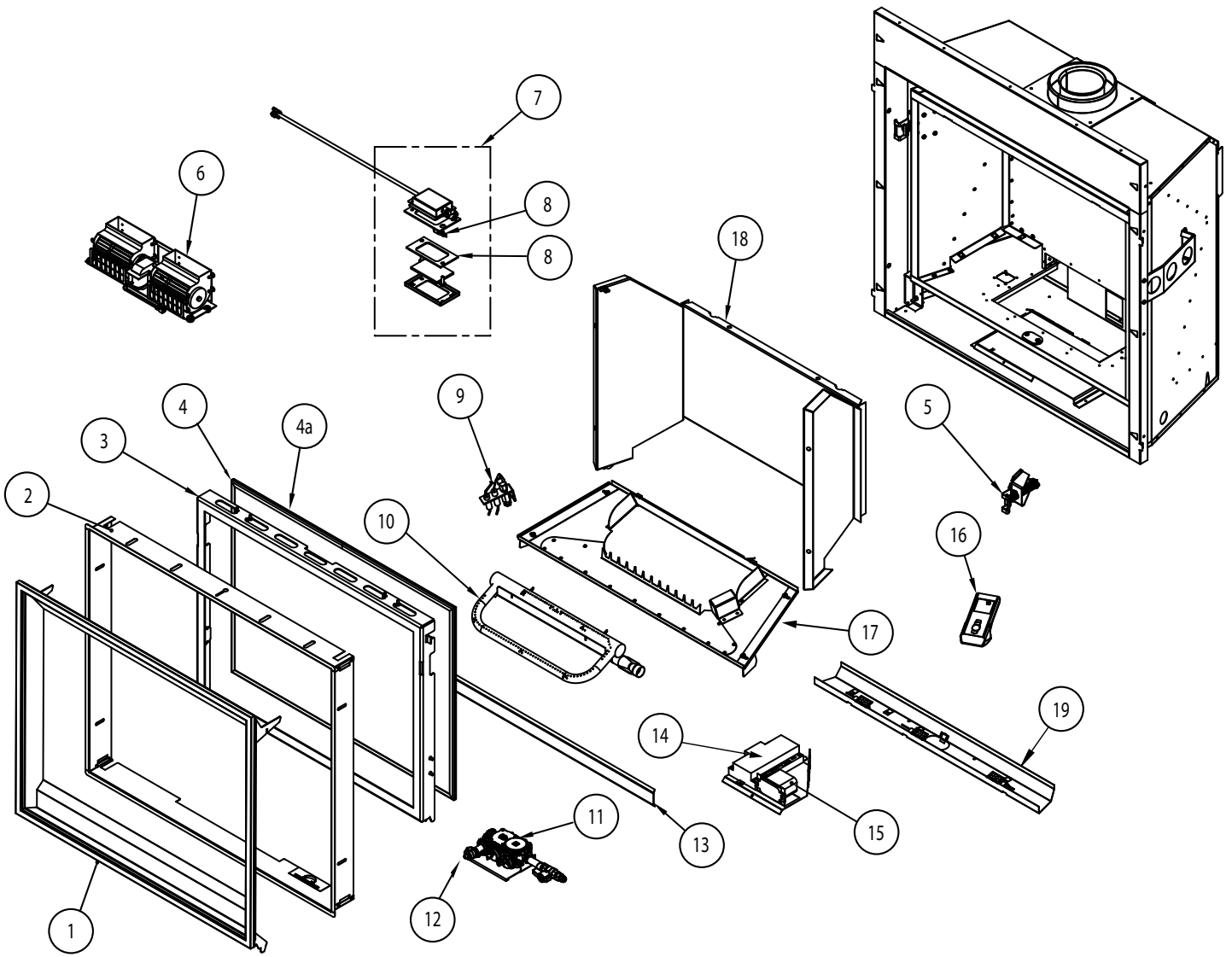
02112020

100004710-50



Parts Diagram

ITEM	DESCRIPTION	PART NUMBER
1.....	Screen Assembly, z25	80002641
2.....	Finishing Trim, z25.....	80002642
3.....	Door, Complete w/ Glass, z25.....	80002643
4.....	Door Glass w/ Gasket, z25.....	80002644
4a.....	Gasket, Door Glass, z25.....	80002645
5.....	Door Spring Assembly, z25 (pair)	80002646
6.....	Blower, Gas, (optional on some models).....	80001576
7.....	Overhead Light Assembly	80002649
8.....	Halogen Bulb, w Gaskets,	80002650
9.....	Pilot Assembly, w Gas Line, z25	80002648
10.....	Burner, Log Set, z25.....	80002665
11.....	Valve, NG, SIT Proflame 50% Turndown.....	80000897
12.....	Valve, LP Regulator, 50% Turndown.....	80002653
13.....	Retaining Trim, Glass Media	80002651
14.....	Module, SIT Proflame 2.....	80000192
15.....	Battery Box, SIT	80001850
16.....	Remote, SIT, PE Gas	80000191
17.....	Ember Tray, Logset, z25.....	80002666
18.....	Firebox Liner Panels, Steel, Painted	80002613
19.....	Ember Light Tray Assembly,	80002668
.....	Flue Collar Gasket Set	80002652
.....	Log Set, Split Wood, z25.....	80002667
Options:		
.....	LP Conversion Kit, z25	12180010
.....	Firebox Liner Panels, Fibre, Ledge stone.....	12200046
.....	Firebox Liner Panels, Fibre, Red Brick	12200047
.....	Firebox Liner Panels, Fibre , Fluted	12200048
.....	Firebox Liner Panels, Steel, Porcelain Black	12200049





100004684

54

140224-56 Z25



© 2023 Copyright Pacific Energy Fireplace Products LTD

Reproduction, adaptation, or translation without prior written permission is prohibited, except as allowed under the copyright laws.



For technical support, please contact your retailer

**Web site: www.pacificenergy.net
2975 Allenby Rd., Duncan, BC V9L 6V8**

Printed in Canada