

INSTALLER: Leave this manual with the appliance.
CONSUMER: Retain this manual for future reference.



WARNING:

FIRE OR EXPLOSION HAZARD

Failure to follow safety warnings exactly could result in serious injury, death, or property damage.

- Do not store or use gasoline or other flammable vapors and liquids in the vicinity of this or any other appliance.
- **WHAT TO DO IF YOU SMELL GAS**
 - Do not try to light any appliance.
 - Do not touch any electrical switch; do not use any phone in your building.
 - Leave the building immediately.
 - Immediately call your gas supplier from a neighbour's phone. Follow the gas supplier's instructions.
 - If you cannot reach your gas supplier call the fire department.
- Installation and service must be performed by a qualified installer, service agency or the gas supplier.

This appliance may be installed in an aftermarket permanently located, manufactured home (USA only) or mobile home, where not prohibited by local codes.

This appliance is only for use with the type of gas indicated on the rating plate. This appliance is not convertible for use with other gases, unless a certified kit is used.

This appliance is suitable for installation in a bedroom or bed sitting room.

WARNING: If the information in these instructions is not followed exactly, a fire or explosion may result causing property damage, personal injury or death.



PACIFIC ENERGY

Trenton

SERIAL #



MODEL: TRENTON
SERIES: A
FREESTANDING GAS STOVE
INSTALLATION AND
OPERATING INSTRUCTIONS

Visit www.pacificenergy.net for the most recent version of this manual

Table of Contents

Table of Contents

Table of Contents	2	Vent Terminal Clearances	16
Important Note for the Commonwealth of Massachusetts	3	Vent Terminal Minimum Clearances	16
Caution	4	Trenton Co-Axial Venting Chart	17
Safety	5	Co-Linear Venting	18
First Fire	5	Optional Direct Vent Termination "Snorkel"	19
Manufactured (Mobile) Homes	6	Installation	20
Installation Requirements	6	Venting Components	21
Special Operator Note	6	Trenton Gas Stove Rear Component	22
Remote Control System	7	Gas and Electrical Connections	23
System Description	7	Gas connection	23
Transmitter (Remote Control with LCD Display).....	7	Electrical connection	23
Temperature indication Display	8	Packaging	24
Turn on the Gas Stove.....	8	Safety screen removal	24
Turn off the Gas Stove	8	Glass door removal	24
Manual Bypass of the Remote System.....	8	Log set pieces	25
Key Lock	8	Log Set Installation	26
Remote Flame Control	9	Installation of log set	26
ROOM THERMOSTAT (Remote Transmitter Operation)....	9	Glass Door Installation	28
Smart Thermostat (Remote Transmitter Operation)	9	Safety Screen Installation	29
Comfort Fan Speed Control.....	10	Accent Lighting Glass Plates	31
Continuous Pilot/Intermittent Pilot (CPI/IPI) selection.....	10	Changing the glass plate.....	31
Remote dimmer control (Light)	10	IFC Module	32
Low Battery Power Detection	11	Operating Procedure	32
Remote Transmitter.....	11	Initializing the System for the first time	32
IFC Module (Receiver).....	11	Damper Adjustment	33
Warnings and Cautions	11	Venturi Adjustment	33
Maintenance	12	Gas Supply	34
Glass Door:	12	Gas Pressure Check	34
Annual Inspection:	12	Gas Pressure Testing Procedure	35
Periodically:.....	12	Pilot Flame Adjustment	35
Lighting Instructions	13	Propane Conversion	36
Trenton Gas Stove Dimensions	14	Parts Diagram	37
Clearances to combustibles	15	Wiring Diagram	38
Minimum Clearance to Combustible Materials.....	15	Rating Label	39
Locating the Gas stove	15		

! DANGER



HOT GLASS WILL CAUSE BURNS.

DO NOT TOUCH GLASS UNTIL COOLED.

NEVER ALLOW CHILDREN TO TOUCH GLASS.

A barrier designed to reduce the risk of burns from the hot viewing glass is provided with the appliance and shall be installed for the protection of children and other at-risk individuals.

We endorse



NATIONAL FIREPLACE INSTITUTE®
A CERTIFICATION AGENCY

We recommend that our gas hearth products be installed and serviced by professionals who are certified in the United States by the National Fireplace Institute® (NFI) as NFI Gas Specialists

— Important Note for the Commonwealth of Massachusetts —

From Massachusetts Rules and Regulations 248 CMR 5.08:

- (a) For all side wall horizontally vented gas fueled equipment installed in every dwelling, building or structure used in whole or in part for residential purposes, including those owned or operated by the Commonwealth and where the side wall exhaust vent termination is less than seven (7) feet above finished grade in the area of the venting, including but not limited to decks and porches, the following requirements shall be satisfied.
1. **INSTALLATION OF CARBON MONOXIDE DETECTORS.** At the time of installation of the side wall horizontal vented gas fueled equipment, the installing plumber or gas fitter shall observe that a hard wired carbon monoxide detector with an alarm and battery back-up is installed on the floor level where the gas equipment is to be installed, in addition, the installing plumber or gas fitter shall observe that a battery operated or hard-wired carbon monoxide detector with an alarm is installed on each additional level of the dwelling, building or structure served by the side wall horizontal vented gas fueled equipment. It shall be the responsibility of the property owner to secure the services of qualified licensed professionals for the installation of hard-wired carbon monoxide detectors.
 - a. In the event that the side wall horizontally vented gas fueled equipment is installed in a crawl space or an attic, the hard-wired carbon monoxide detector with alarm and battery back-up may be installed on the next adjacent floor level.
 - b. In the event that the requirements of this subdivision cannot be met at the time of completion of installation, the owner shall have a period of thirty (30) days to comply with the above requirements; provided, however, that during said thirty (30) day period, a battery operated carbon monoxide detector with an alarm shall be installed.
 2. **APPROVED CARBON MONOXIDE DETECTORS.** Each carbon monoxide detector as required in accordance with the above provisions shall comply with NFPA 720 and be ANSI/UL 2034 listed as IAS certified.
 3. **SIGNAGE.** A metal or plastic identification plate shall be permanently mounted to the exterior of the building at a minimum height of eight (8) feet above grade directly in line with the exhaust vent terminal for the horizontally vented gas fueled heating appliance or equipment. The sign shall read, in print size no less than one-half (1/2) inch in size, "GAS VENT DIRECTLY BELOW. KEEP CLEAR OF ALL OBSTRUCTIONS".
 4. **INSPECTION.** The state or local gas inspector of the side wall horizontally vented gas fueled equipment shall not approve the installation unless, upon inspection, the inspector observes carbon monoxide detectors and signage installed in accordance with the provisions of 248 CMR 5.089(2)(a) 1 through 4.
- (b) **EXEMPTIONS.** The following equipment is exempt from 248 CMR 5.089(2)(a) 1 through 4.
1. The equipment listed in Chapter 10 entitled "Equipment Not Required To Be Vented" in the most current edition of NFPA 54 as adopted by the Board; and
 2. Product Approved side wall horizontal vented gas fueled equipment installed in a room or structure separate from the dwelling, building or structure used in whole or in part for residential purposes.
- (c) **MANUFACTURER REQUIREMENTS – GAS EQUIPMENT VENTING SYSTEM PROVIDED.** When the manufacturer of Product Approved side wall horizontally vented gas equipment provides a venting system design or venting system components with the equipment, the instructions provided by the manufacturer for installation of the equipment and the venting system shall include:
1. Detailed instructions for the installation of the venting system design or the venting system components; and
 2. A complete parts list for the venting system design or venting system.
- (d) **MANUFACTURER REQUIREMENTS – GAS EQUIPMENT VENTING SYSTEM NOT PROVIDED.** When the manufacturer of a Product Approved side wall horizontally vented gas fueled equipment does not provide the parts for venting the fuel gases, but identifies "special venting systems", the following requirements shall be satisfied by the manufacturer.
1. The referenced "special venting system" instructions shall be included with the appliance or equipment installation instructions; and
 2. The "special venting systems" shall be Product Approved by the Board, and the instructions for that system shall include a parts list and detailed installation instructions.
- (e) A copy of all installation instructions for all Product Approved side wall horizontally vented gas fueled equipment, all venting instructions, all parts lists for venting instructions, and/or all venting design instructions shall remain with the appliance or equipment at the completion of the installation.

Congratulations on your purchase of a Pacific Energy Gas Stove.

Your Trenton direct vent, Free-standing gas stove has been professionally installed by:


Dealer name: _____

Phone Number: _____

If you discover any problems with your gas stove contact your dealer immediately to have the unit repaired.

Caution: Do not attempt to repair the gas stove because you may cause injury to yourself or others, and risk causing damage to the unit.

Before operating your gas stove carefully read this manual and pay close attention to all Safety Warnings. The manual contains important information on the unit's safe operation and maintenance.

	<p>WARNING: This product can expose you to chemicals including ceramic fibers, which are known to the State of California to cause cancer, and carbon monoxide, which is known to the State of California to cause birth defects or other reproductive harm.</p> <p>For more information go to www.P65Warnings.ca.gov.</p> <p>This warning is applicable to all Pacific Energy Fireplace Products</p>
---	---

Caution

FOR YOUR SAFETY - Do not install or operate your Trenton gas stove without first reading and understanding this manual. Any installation or operational deviation from the following instructions voids the Pacific Energy Fireplaces Warranty and may prove hazardous.

This gas stove and its individual shut off valve must be disconnected from gas supply piping system during any pressure testing of that system at test pressures in excess of ½ psig (3.5 kPa).

This gas stove must be isolated from the gas supply piping system by closing its individual manual shut off valve during any pressure testing of the gas supply piping system at test pressures equal to or less than ½ psig (3.5 kPa).

Do not use the gas stove if any part has been under water. Immediately call a qualified service technician to inspect the gas stove and to replace any part of the control system and any gas control which has been under water.

Safety

Due to high temperatures, this gas stove should be located out of traffic and away from furniture and draperies.

Children and adults should be alerted to the hazards of high surface temperatures and should stay away to avoid burns or clothing ignition.

Young children should be carefully supervised when they are in the same room as the gas stove. Toddlers, young children, and others may be susceptible to accidental contact burns. A physical barrier is recommended if there are at-risk individuals in the house. To restrict access to the gas stove, install an adjustable safety gate to keep toddlers, young children, and other at-risk individuals out of the room and away from hot surfaces.

Clothing or other flammable material should not be placed on or near the gas stove.

Any grill, panel or door removed for servicing the unit must be replaced prior to operating. Failure to do so may create a hazardous condition.

Installation and repair should be done by a qualified service person. The gas stove should be inspected before use and at least annually by a professional service person. More frequent cleaning may be required due to excessive lint from carpeting, bedding material, etc. It is imperative that control compartments, burners and circulating air passageways of the gas stove be kept clean.

It is our policy that no responsibility is assumed by the Company or by any of its employees or representatives for any damages caused by an inoperable, inadequate, or unsafe condition which is the result, either directly or indirectly, of any improper operation or installation procedures.

This gas stove must not be connected to a chimney flue serving a separate solid fuel burning gas stove.

First Fire

When lit for the first time, the gas stove will emit a slight odor for a couple of hours. This is due to the curing of paints, sealants, gaskets, and lubricants used in the manufacturing process. This condition is temporary. Open doors and windows to ventilate the area. Odor caused by the curing process may cause discomfort to some individuals.

It is normal for gas stoves fabricated from steel to give off some expansion and/or contraction noises during the start up or cool down cycle. Similar noises are found with your furnace heat exchanger or cook stove oven.

Manufactured (Mobile) Homes

In some jurisdictions, the Trenton gas stove may be installed in Manufactured Homes after the “first sale”. Consult local codes for approval. The gas stove must be fastened in place.

Install in accordance with the current standard Mobile Homes, CAN/CSA Z240 MH (in CANADA), and the Manufacturer’s Home Construction and Safety Standard, Title 24 CFR, Part 3280 or the current Standard for Fire Safety Criteria for Manufactured Home Installations, Sites and Communities ANSI/NFPA 501A (in the USA).

Installation Requirements

The Trenton gas stove installation and venting must conform to the current CAN/CGA-B149 installation code (in Canada) or the current National Fuel Gas Code, ANSI Z223.1 (in the USA), and approved per local codes. Only qualified (licensed or trained) personnel should install this product.

In the state of Massachusetts, only a licensed Plumber and Gas Fitter may install this product.

Special Operator Note

NOTE: pilot may take up to 30 seconds to ignite each time the “ON” button has been selected

Remote Control System

System Description

The Proflame Remote Control System consists of three elements:

1. Proflame Remote Transmitter.
2. Proflame Integrated Fireplace Control (IFC) module.
3. A wiring harness to connect the IFC to the gas valve and stepper motor.

Transmitter (Remote Control with LCD Display)

The Proflame Remote Transmitter uses a streamline design with a simple button layout and informative LCD display (Figure 1). The remote transmitter is powered by 3 AAA type batteries. A mode key is provided to index between the features and a thermostat key is used to turn on/off or index through thermostat functions (Figure 1 and Figure 2).



Figure 1: Proflame 2 handset.

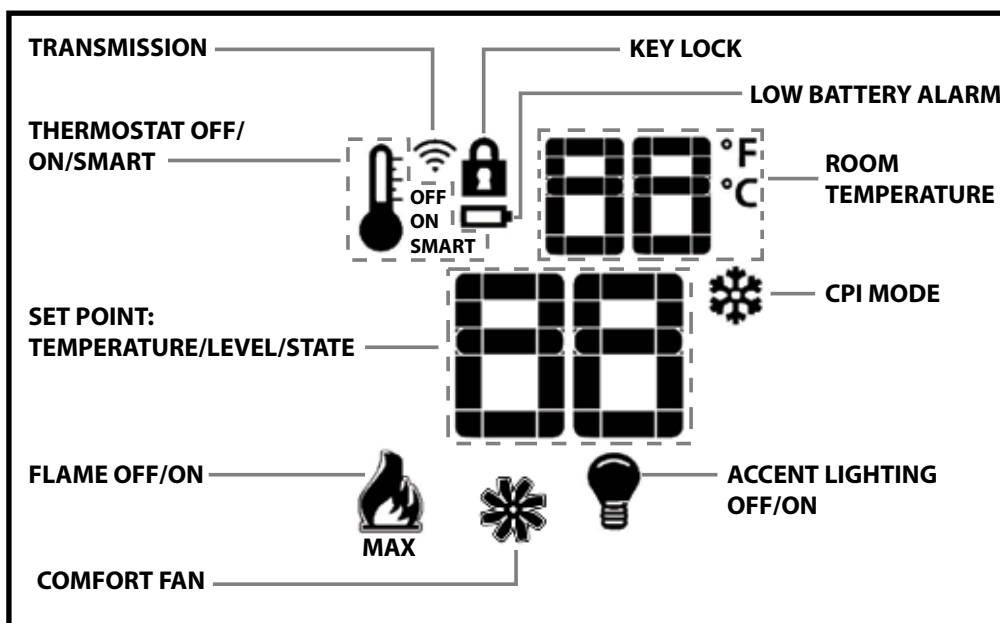


Figure 2: Proflame 2 LCD screen details.

Temperature indication Display

With the remote transmitter in the “OFF” position, press the thermostat key and the mode key at the same time. Look at the LCD screen on the remote transmitter to verify that a C or F is visible to the right of the room temperature display (Figure 3 and Figure 4).

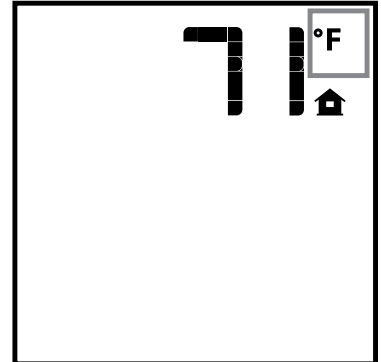


Figure 3: Display in Fahrenheit.

Turn on the Gas Stove

With the system OFF, press the ON/OFF Key on the remote transmitter. The remote transmitter display will show some other active Icons on the screen. At the same time the Receiver will activate the gas stove. A single “beep” from the Receiver (module) will confirm reception of the command.

Turn off the Gas Stove

With the system ON, press the ON/OFF Key on the Remote transmitter. The Remote transmitter LCD display will only show the room temperature (Figure 3 and Figure 4). At the same time the Receiver (module) will turn off the gas stove. A single “beep” from the Receiver confirms reception of the command.

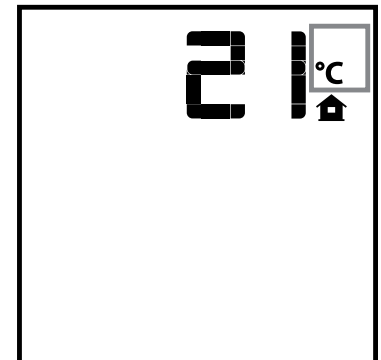


Figure 4: Display in Celcius.

Manual Bypass of the Remote System

If the batteries of the receiver or remote transmitter are low or depleted, the gas stove can be turned off manually using ON/OFF switch located on battery holder at the rear of the Trenton (Figure 66 on page 32). This will bypass the remote transmitter.

Key Lock

This function will lock the keys to avoid unsupervised operation. To activate this function, press the MODE and UP keys at the same time. The lock icon will appear (Figure 5). To de-activate this function, press the MODE and UP keys at the same time.

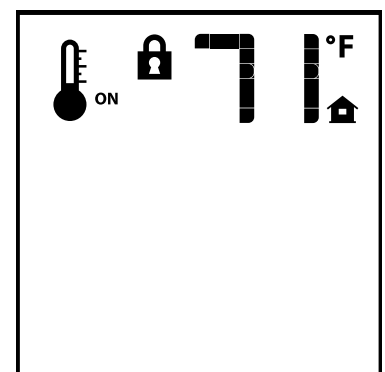


Figure 5: Key lock.

Remote Flame Control

The Proflame has six (6) flame levels. With the system turned on, and the flame level at maximum in the gas stove, press the down arrow key once to reduce the flame height by one step until the flame is turned off.

The up arrow key will increase the flame height each time it is pressed. If the up arrow key is pressed while the system is on but the flame is off, the flame will come on in the high position (Figure 9). A single “beep” will confirm reception of the command.



Figure 6: Flame off.

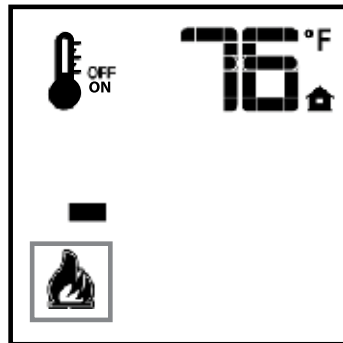


Figure 7: Flame level 1.

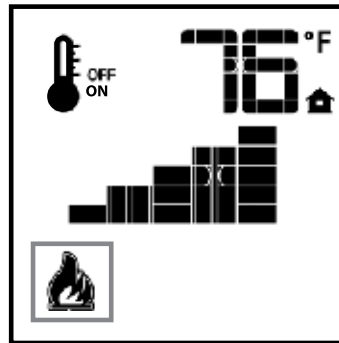


Figure 8: Flame level 5.

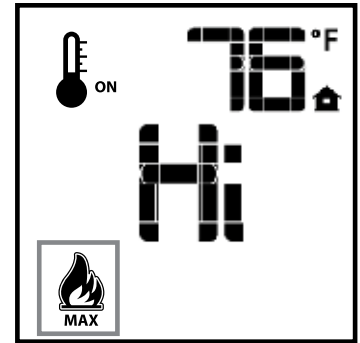


Figure 9: Flame level maximum.

ROOM THERMOSTAT (Remote Transmitter Operation)

The remote transmitter can operate as a room thermostat. The thermostat can be set to a desired temperature to control the comfort level in a room.

To activate this function, press the thermostat key (Figure 1). The LCD display on the remote transmitter will change to show that the room thermostat is “ON” and the set temperature is now displayed (Figure 10). To adjust the set point, press the up or down arrow keys until the desired set point temperature is displayed on the LCD screen of the remote transmitter.

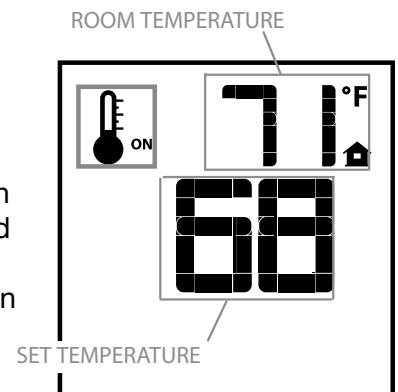


Figure 10: Room temperature.

Smart Thermostat (Remote Transmitter Operation)

The Smart Thermostat function adjusts the flame height in accordance to the difference between the set point and the room temperatures. As the room temperature gets closer to the set point, the Smart Function will modulate the flame down. If the room temperature is cool, the Smart Function will modulate the flame up. To activate this function, press the THERMOSTAT key (Figure 1) until the word “SMART” appears to the right of the temperature icon (Figure 11). To adjust the set point, press the up or down arrow keys until the desired set point temperature is displayed on the LCD screen of the remote transmitter (Figure 11).

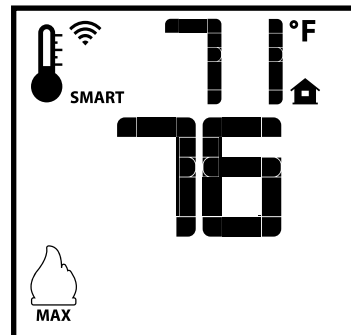


Figure 11: Smart flame function.

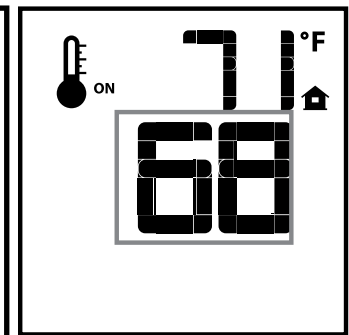


Figure 12: Smart flame adjusting temperature.

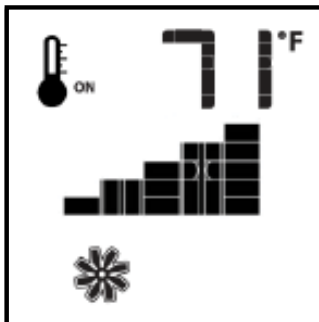
Comfort Fan Speed Control

If the gas stove is equipped with a hot air circulating fan, the speed of the fan can be controlled by the Proflame System. The fan speed can be adjusted through six (6) speeds. To activate this function use the Mode Key (Figure 1) to index to the fan control icon (Figure 13). Use the Up/Down Arrow Keys (Figure 1) to turn on, off or adjust the fan speed (Figure 13 and Figure 14). A single “beep” will confirm reception of the command.

Figure 13: Fan off.



Figure 14: Fan level HI.



Continuous Pilot/Intermittent Pilot (CPI/IPI) selection

With the system in the “OFF” position, press the Mode Key (Figure 1) to index to the CPI mode icon (Figure 15). Pressing the Up Arrow Key will activate the Continuous Pilot Ignition mode (CPI). Pressing the Down Arrow Key will return to IPI (Figure 16). A single “beep” will confirm the reception of the command.

Figure 15: CPI - IPI selection.

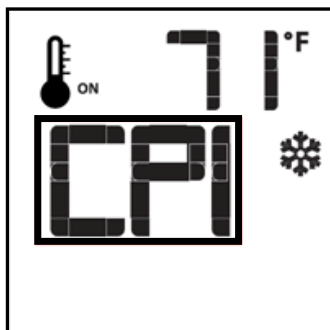


Figure 16: IPI.

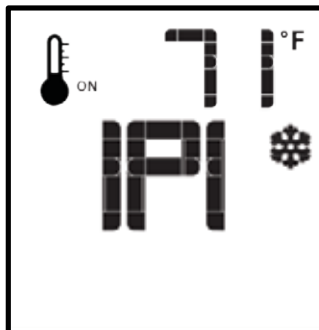
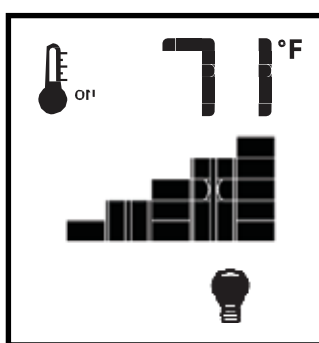


Figure 17: Accent lighting off.



Figure 18: Accent lighting high.



Remote dimmer control (Light)

The light bulb function controls the exterior accent lighting. To activate this function use the Mode Key (Figure 1) to index to the light bulb icon (Figure 17). The intensity of the output can be adjusted through six (6) levels. Use the Up/Down Arrow Keys (Figure 1) to adjust the output level (Figure 18). A single “beep” will confirm reception of the command.

Low Battery Power Detection

Remote Transmitter

The life span of the remote control batteries depends on various factors: quality of the batteries used, the number of ignitions of the gas stove, the number of changes to the room thermostat set point, etc.

When the remote batteries are low, an icon will appear on the LCD display of the remote (Figure 19) before all battery power is lost. When the batteries are replaced this icon will disappear.

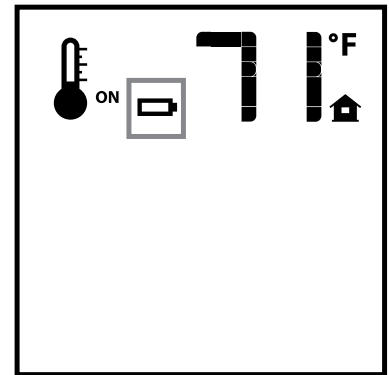


Figure 19: Low battery power.

IFC Module (Receiver)

The life span of the IFC module batteries depends on various factors: quality of the batteries used, the number of ignitions, the number of changes to the room thermostat set point, etc.

When the IFC batteries are low, a “double-beep” will be emitted from the IFC module when it receives a command from the remote. This is an alert for a low battery condition for the IFC board. When the batteries are replaced, a single “beep” will be emitted from the IFC module when a key is pressed. See "Initializing the System for the first time" on page 32.

Warnings and Cautions

WARNING

Shock Hazard. Can cause severe injury or death

This gas stove is powered by line voltage. Do not try to repair this device. In no way is the enclosure to be tampered with or opened. Disconnect from line voltage before performing any maintenance.

WARNING

Fire Hazard. Can cause severe injury or death

The IFC Modules (receiver) causes ignition of the gas stove. The gas stove can turn on suddenly. Keep away from the gas stove burner when operating the remote system or activating manual bypass of the remote system.

Maintenance

Turn off gas and electrical power supply (if applicable) and allow ample time for the gas stove to cool before servicing gas stove. It is recommended that the gas stove and its venting should be inspected at least once a year by a qualified service person.

Glass Door:

Warning: Do not operate gas stove with glass door removed, cracked or broken. Replacement of the glass door should be done by a licensed or qualified service person.

Do not strike or otherwise impact the glass in any way that may cause it to break. If the glass becomes cracked or broken it must be replaced before using the gas stove. A replacement glass door can be obtained from your nearest Pacific Energy dealer. Do not substitute with any other type.

To replace broken glass door, refer to, See "Glass door removal" on page 24 and "Glass Door Installation" on page 28.

Annual Inspection:

- a) Remove glass door and decorative media (such as logs and embers). Inspect decorative media and burner assemblies for soot buildup. If excessive buildup of soot is present, have a qualified service person inspect and adjust unit for proper combustion. Clean burners with a brush or vacuum cleaner, paying close attention to burner ports.
- b) Check the pilot system for proper flame size and operation. Clean pilot of soot, dust or any other deposits.
- c) Check that the vent pipe and vent terminal are open and free from blockage or debris. If the venting is disassembled for cleaning, it must be properly re-assembled and re-sealed.
- d) Check glass panel gasket, replace if necessary. It is important that the glass seal be maintained in good condition.
- e) Check and replace batteries as needed.

Note: The gas stove area must be kept clear and free from combustible materials, gasoline and other flammable vapors and liquids.

Periodically:

- a) Viewing glass may be cleaned as necessary with fireplace glass cleaner.
- b) Exterior finish may be cleaned with mild soap and water.

CAUTION:

Do not use abrasive cleaners on glass or any other part of the gas stove.

Do not clean glass when hot.

Lighting Instructions

FOR YOUR SAFETY READ BEFORE LIGHTING

WARNING: If you do not follow these instructions exactly, a fire or explosion may result causing property damage, personal injury or loss of life.

- A. This appliance is equipped with an ignition device which automatically lights the pilot. Do not try to light the pilot by hand.
 B. BEFORE LIGHTING smell all around the appliance area for gas. Be sure to smell next to the floor because some gas is heavier than air and will settle on the floor.

WHAT TO DO IF YOU SMELL GAS:

- Do not try to light any appliance.
- Do not touch any electric switch; do not use any phone in your building.

- Immediately call your gas supplier from a neighbour's phone. Follow the gas supplier's instructions.

- If you cannot reach your gas supplier, call the fire department.

- C. Use only your hand to push in or turn the gas control knob. Never use tools. If the knob will not push in or turn by hand, don't try to repair it, call a qualified service technician. Force or attempted repair may result in a fire or explosion.
- D. Do not use this appliance if any part has been under water. Immediately call a qualified service technician to inspect the appliance & to replace any part of the control system & any gas control which has been under water.

LIGHTING INSTRUCTIONS

1. STOP! Read the safety information above on this label.
2. This appliance is equipped with an ignition device which automatically lights the pilot. Do not try to light the pilot by hand.
3. Push the "On/ Off" switch to turn the fireplace ON.
 - If the burner does light go to step 6.
 - If the burner does not light, complete steps 4 through 5.
 - If the burner will not light or stay lit after several tries, push the "On/ Off" switch for the fireplace to OFF, turn off all electric power

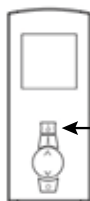
to the fireplace and call your service technician or gas supplier.

Note: Sufficient time must be allowed for air to escape from lines if the unit is being lit for the first time.

4. Push the "On/ Off" switch to the fireplace Off.
5. Allow sufficient length of time (minimum 5 minutes) for any gas in the combustion chamber to escape. If you still smell gas, STOP! Follow "B" in the safety information above on this label. If you don't smell gas, go to step 3.
6. Set fireplace to desired setting by using hand held remote.

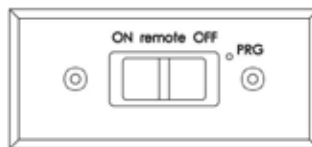
TO TURN OFF GAS APPLIANCE

1. Push the "on/ off" switch to the "Off" position.



On/off button

2. Turn off all electric power to the appliance and remove backup batteries if service is to be performed or for extended shutdown. Remove the face plate to gain access to the battery pack. Face plate is found on the back side of the fireplace / stove.



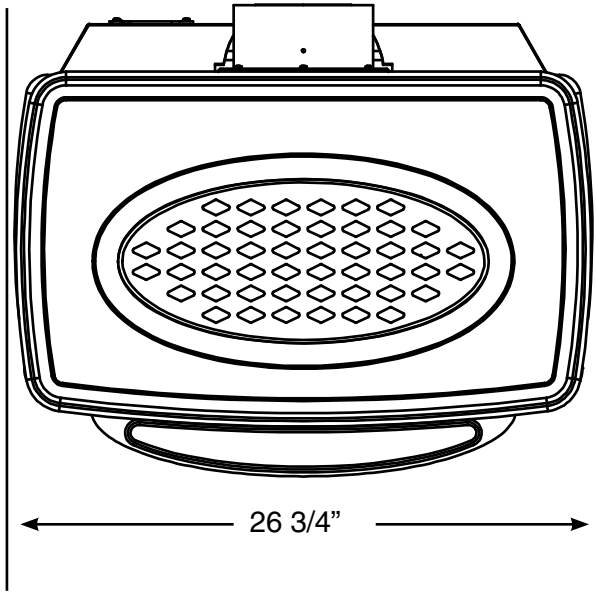
Due to high surface temperatures, keep children, clothing and furniture away. Keep burner and control compartment clean. See installation and operating instructions accompanying the appliance.

A cause de la temperature elevee des parois, tenir eloignes les enfants, les vetements et les meubles. Maintenir propres le bruleur et le compartiment de commande. Voir les instructions relatives a l'installation et au fonctionnement qui accompagnent l'appareil.

CAUTION: Hot while in operation. Do not touch. Severe burns may result. Keep children, clothing, furniture, gasoline and other liquids having flammable vapours away. Keep burner and control compartment clean. See installation and operating instructions accompanying the appliance.

ATTENTION: L'appareil est chaud lorsqu'il fonctionne. Ne pas toucher l'appareil. Risque de brûlures graves. Surveiller les enfants. Garder les vêtements, le meubles, l'essence ou autres liquides produisant des vapeurs inflammables loin de l'appareil. S'assurer que le brûleur et le compartiment des commandes sont propres. Voir les instructions d'installation et d'utilisation qui accompagnent l'appareil.

Trenton Gas Stove Dimensions



Dimensions

Height	30 5/8 inches
Width	26 3/4 inches
Depth	21 15/16 inches
Height to center of Flue Outlet	24 inches

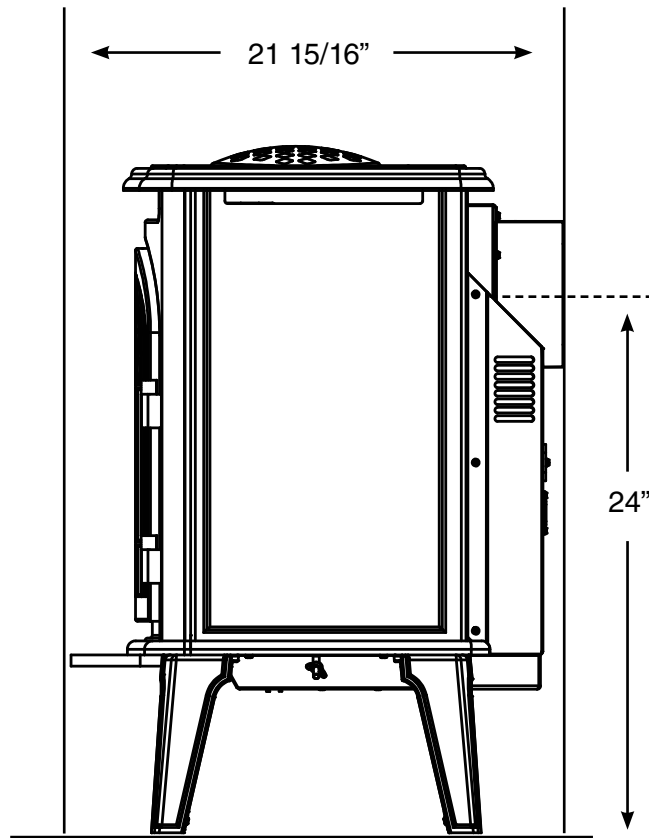
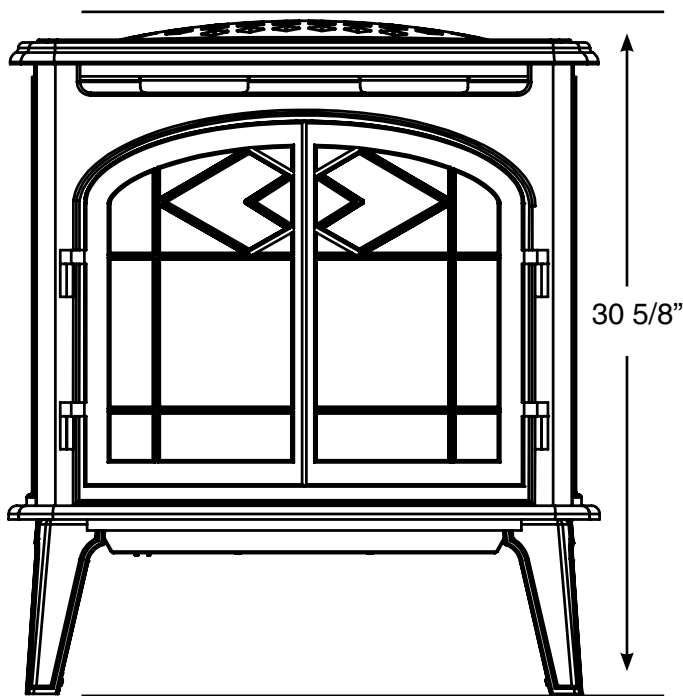


Figure 20: Trenton dimensions.

Clearances to combustibles

Minimum Clearance to Combustible Materials

INTERIOR SIDE WALL	4"
INTERIOR BACK WALL	4"
INTERIOR CEILING	18"
VENTING PIPE CLEARANCE	1"

Note on corner placement:
Refer to minimum clearances as shown in Figure 21 & Figure 22. Refer to Figure 25 on page 17 for venting allowances.

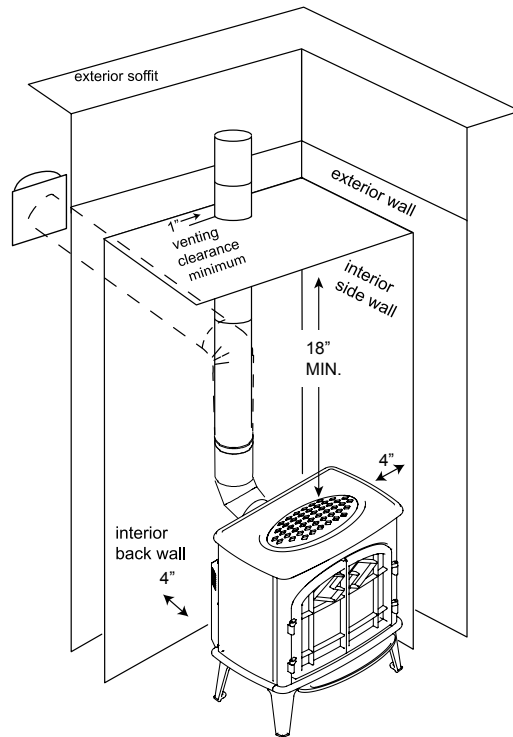
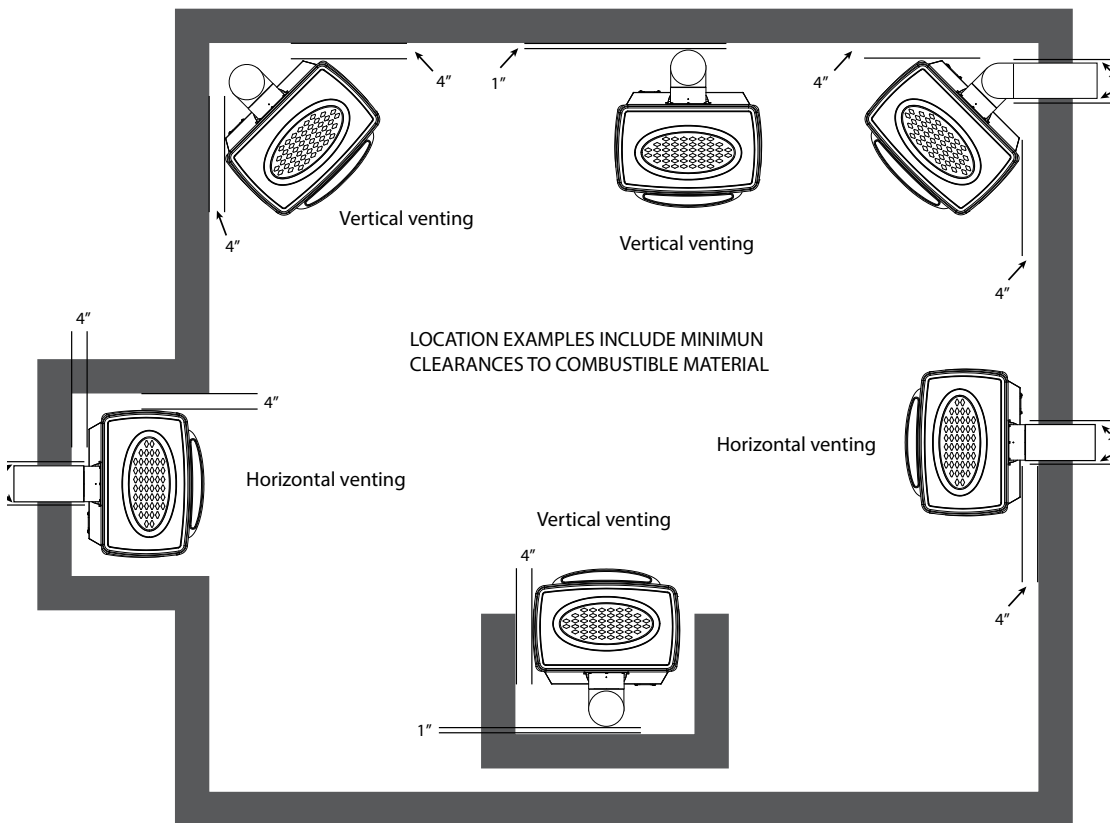


Figure 21: Trenton clearance to combustibles.

Locating the Gas stove



Location Note:

The Trenton can be installed directly onto any flooring material without an additional floor protector. Only requirement is that the floor be stable and strong enough to support the stove

Figure 22: Trenton common locations & minimum allowances.

Vent Terminal Clearances

Minimum clearances to the vent terminal must be maintained as shown in Figure 23 and the Roof Pitch Table. Measure clearances to the nearest edge of termination hood.

NOTE: Vent terminal must not be recessed

NOTE: LOCAL CODES OR REGULATIONS MAY REQUIRE DIFFERENT CLEARANCES.

Roof Pitch Table	(minimum)	
	ft	m
Flat to 6/12	1.00	0.30
Over 6/12 to 7/12	1.25	0.38
Over 7/12 to 8/12	1.50	0.46
Over 8/12 to 9/12	2.00	0.61
Over 9/12 to 10/12	2.50	0.76
Over 10/12 to 11/12	3.25	0.99
Over 11/12 to 12/12	4.00	1.22

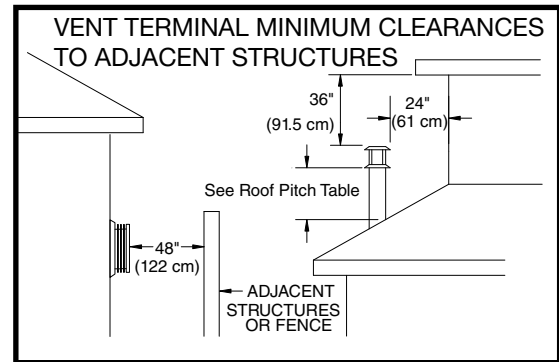


Figure 23: Clearances to adjacent structures.

Vent Terminal Minimum Clearances

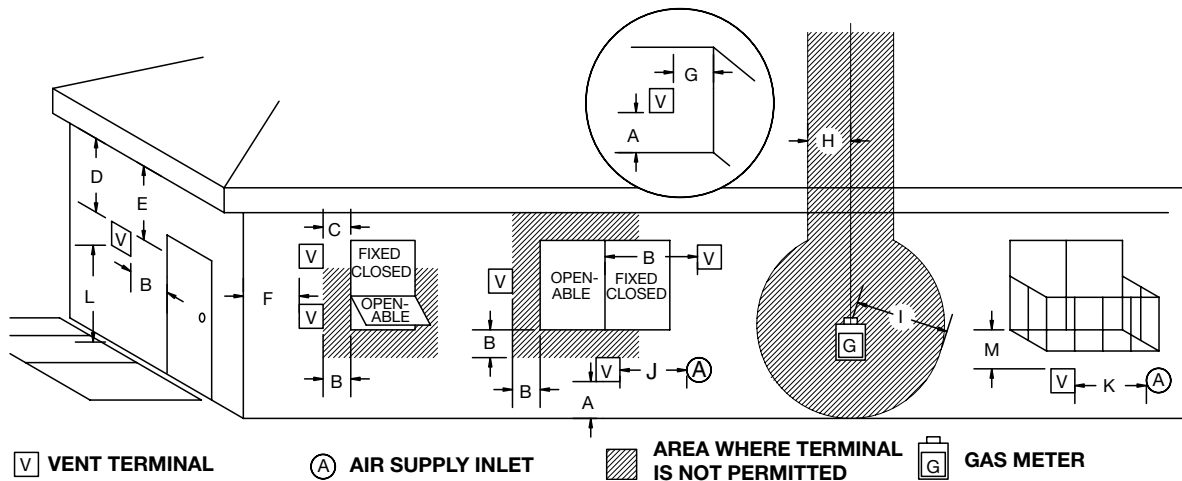


Figure 24: Minimum clearances to vents.

A	*12 inches (30 cm) min.	Clearances above grade, veranda, porch, deck, or balcony
B	*12 inches (30 cm) min.	Clearance to window or door that may be opened
C	12 inches (30 cm) min.	Clearance to permanently closed window recommended to prevent condensation on window
D	16 inches (40 cm) min.	Vertical clearance to ventilated soffit located above the terminal within a horizontal distance of 2 feet (60 cm)
E	16 inches (40 cm) min.	Clearance to unventilated soffit
F	6 inches (15 cm) min.	Clearance to outside corner
G	6 inches (15 cm) min.	Clearance to inside corner
H	3 feet (90 cm) min.	*Not to be installed above a meter/regulator assembly within 3 feet (90 cm) horizontally from the center-line of the regulator
I	*3 feet (90 cm) min.	Clearance to service regulator vent outlet
J	*12 inches (30 cm) min.	Clearance to non mechanical air supply inlet to building or the combustion air inlet to any other appliance
K	*6 feet (1.8 m) min.	Clearance to a mechanical air supply inlet
L	*7 feet (2.1 m) min.	^ Clearance above paved side-walk or a paved driveway located on public property
M	**16 inches (76 cm) min	Clearance under veranda, porch, deck, or balcony

^ a vent shall not terminate directly above a side-walk or paved driveway which is located between two single family dwellings and serves both dwellings*

** only permitted if veranda, porch, deck, or balcony is fully open on a minimum of 2 sides beneath the floor*

* as specified in CGA B149 Installation Codes, Note: local Codes or Regulation may require different clearances

* for U.S.A. Installations follow the current National Fuel Gas Code, ANSI Z223.1

Trenton Co-Axial Venting Chart

Note: The vent must not exceed a total length of 30 feet. Any combination of rise and run may be used but must be constrained to the boundaries of this chart. A Maximum of three (3) 90° elbows may be used. Only one (1) 90° elbow or combination of other elbows equaling 90° can be used without reducing horizontal run. For each additional 90° elbow, or an equal combination of elbows, reduce horizontal vent run by 2 feet. Ensure vent pipe is properly supported.

Damper Note:
The damper position is factory set to the closed position. Every venting configuration is different, and the damper setting may need slight adjustment.

(See page 33 for damper adjustment).

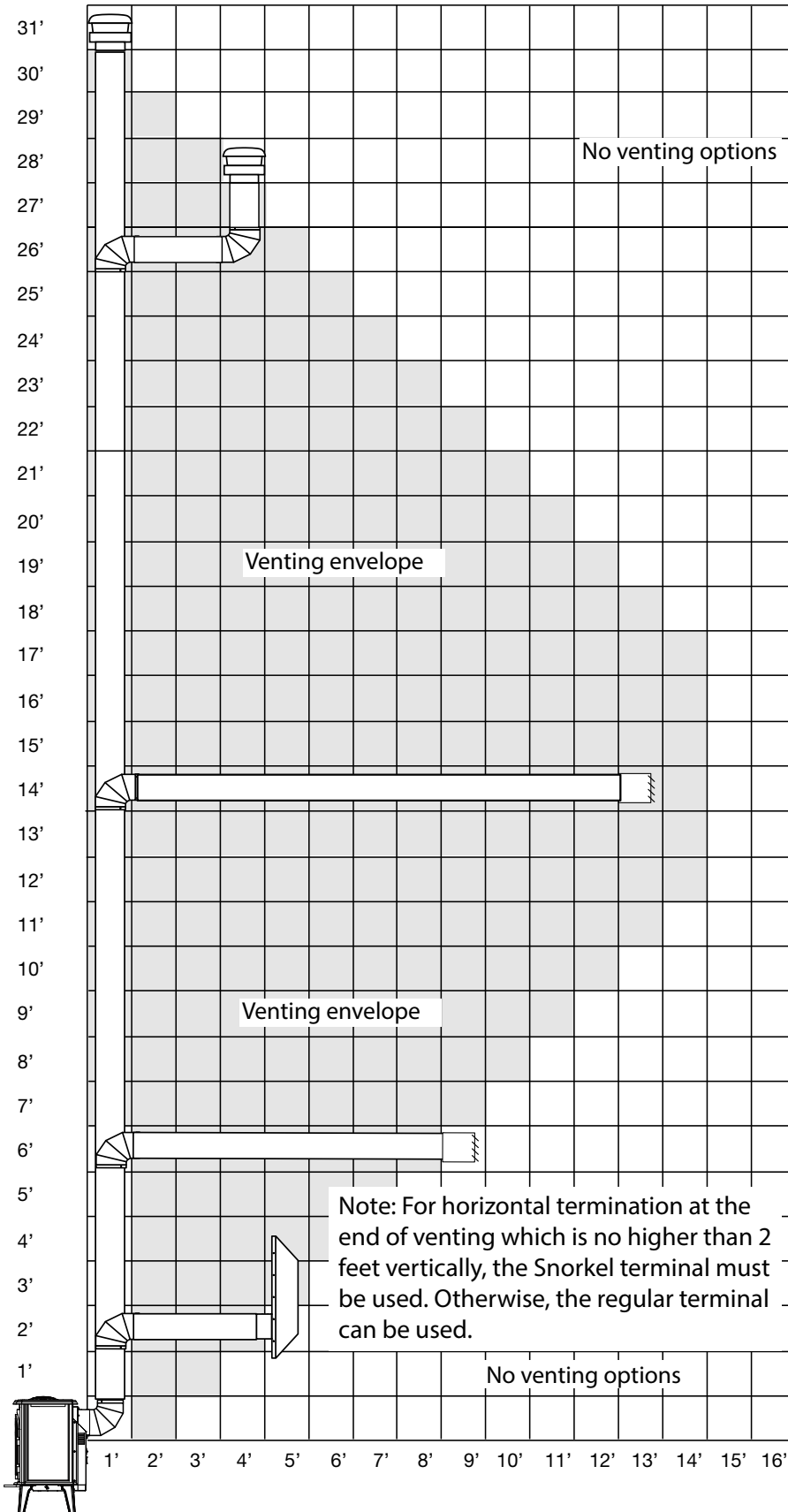


Figure 25: Trenton venting chart examples.

Co-Linear Venting

Simpson DuraVent High-Wind (cap style) Co-Linear Kit w/Flex (46DVA-CL33) or Simpson DuraVent Prairie (cap style) Co-Linear Kit w/Flex (46DVA-CL33P) are recommended for use with this appliance.

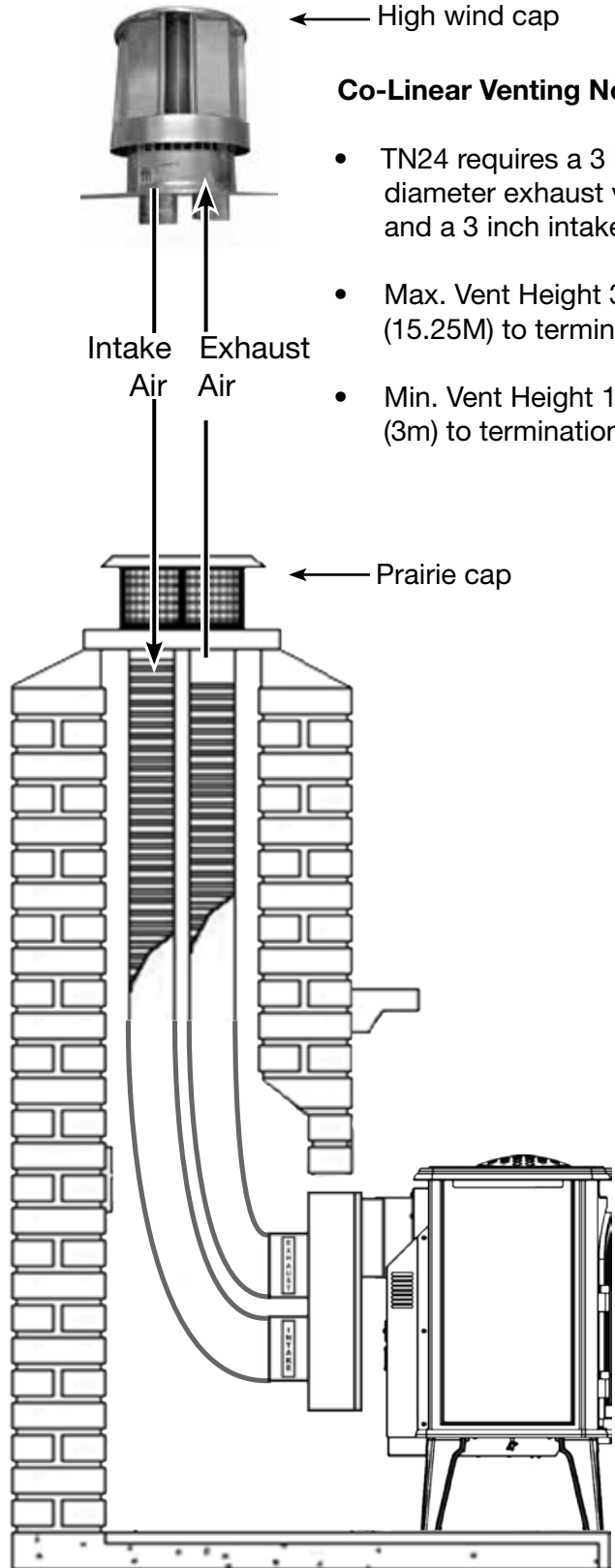
Visit <http://www.duravent.com> for kit details.

1. Measure chimney height, cut flex liner (min.10' to termination) as required. Mark one pipe at both ends to identify combustion air intake pipe from flue outlet pipe.
2. Attach marked flex liner pipe to the intake side of vent terminal. Seal and secure with sealant and screws provided. Attach the other pipe to the outlet side of vent terminal. Seal and secure with sealant and screws provided.
3. Insert both flex liners from top of the chimney, down through the damper opening.
4. Before attaching vent terminal to top of chimney, apply a bead of caulking to top of clay liner. Slip vent terminal over liner and secure in place with lateral retaining bolts.
5. For larger chimneys, flashing will need to be constructed according to local building codes.

NOTE:

If venting the TN24 through an existing fireplace opening using a co-axial to co-linear adapter, the customer will have a couple of aesthetic options which include:

1. Sealing up the existing fireplace opening with a cover or other material, leaving room in the cover or other material to accommodate the adapter so that it is positioned flush Figure 26 with the cover or other material.
2. Positioning the TN24 so that it and the adapter are located outside of the existing fireplace opening.

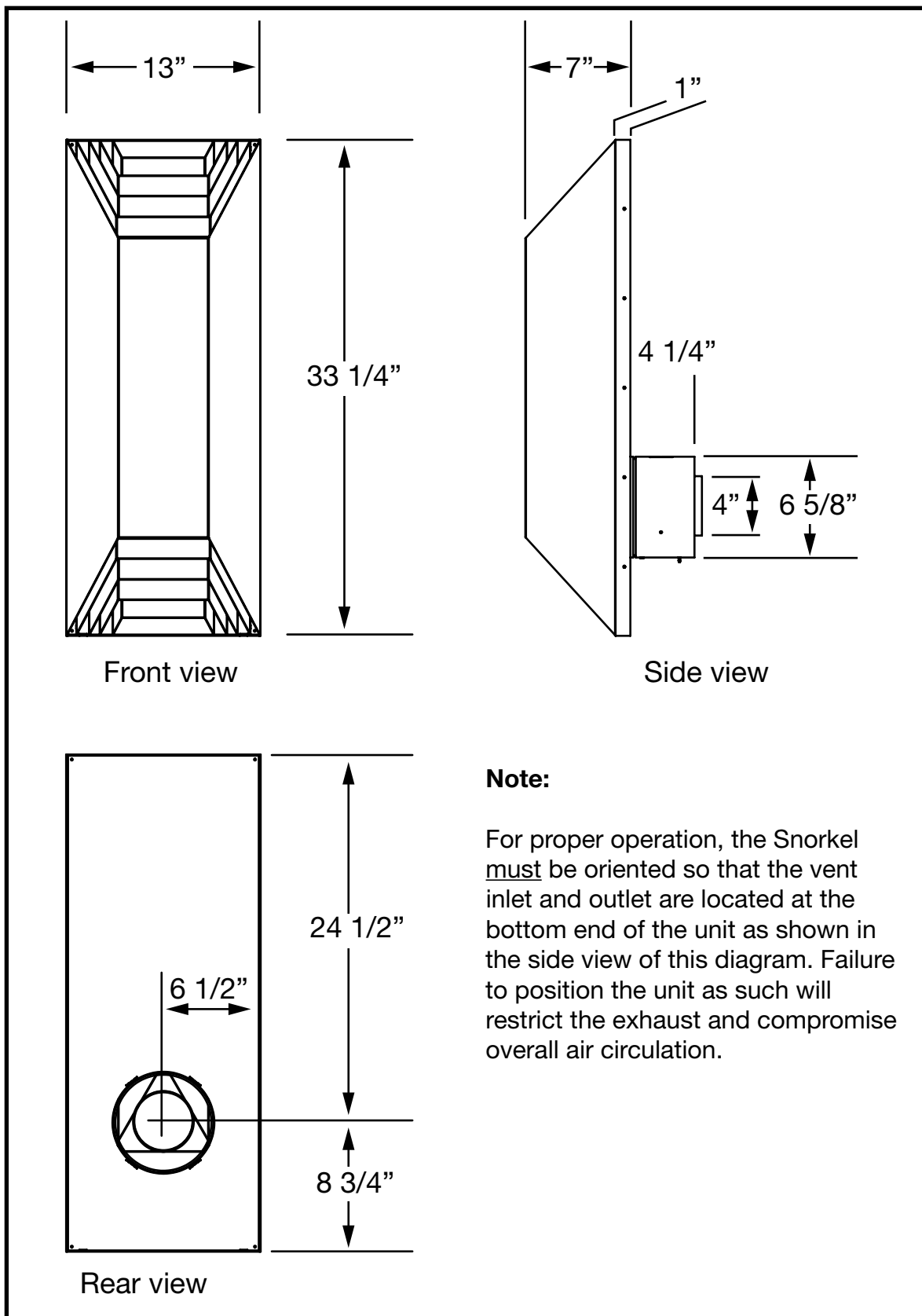


Co-Linear Venting Notes:

- TN24 requires a 3 inch diameter exhaust vent and a 3 inch intake vent.
- Max. Vent Height 35' (15.25M) to termination
- Min. Vent Height 10' (3m) to termination.

Figure 26: Trenton co-linear venting configuration.

Optional Direct Vent Termination "Snorkel"



Note:

For proper operation, the Snorkel must be oriented so that the vent inlet and outlet are located at the bottom end of the unit as shown in the side view of this diagram. Failure to position the unit as such will restrict the exhaust and compromise overall air circulation.

Figure 27: Snorkel dimensions.

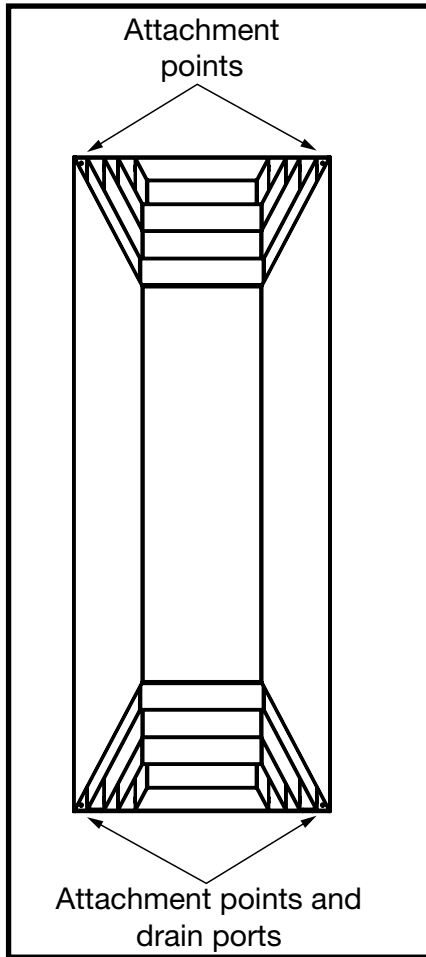


Figure 28: Fastening the snorkel.

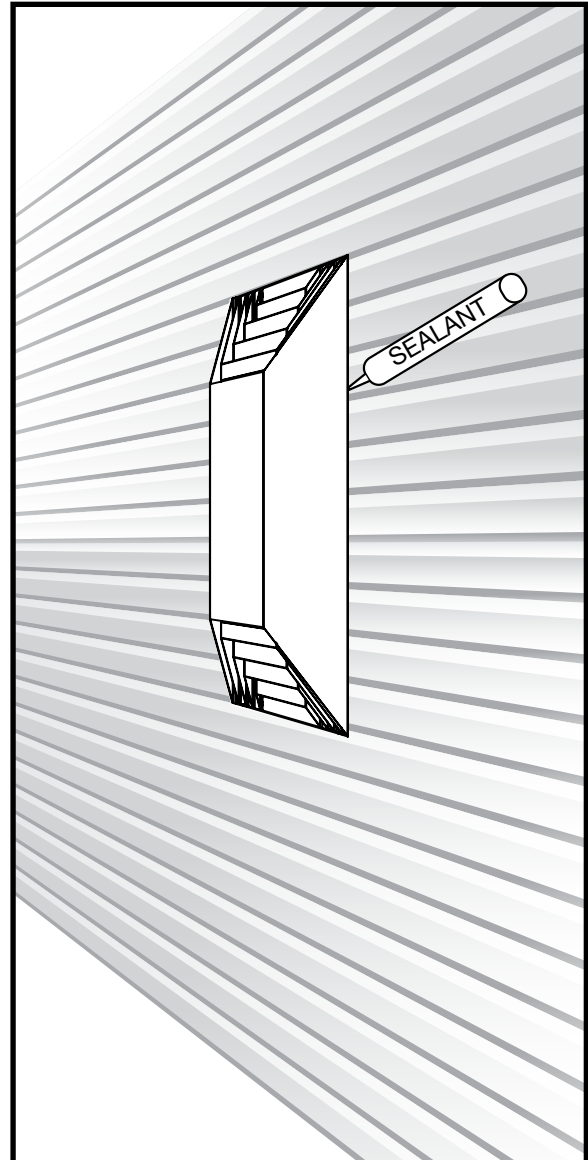


Figure 29: Caulking the snorkel.

Installation:

The Snorkel can be attached to an exterior wall using 4 supplied screws. Be sure to position the Snorkel correctly so that the drain ports are located at the bottom of the unit.

Exterior facing or siding can butt right up to the sides of the unit and can extend up to 1" from the wall to which the unit is attached.

Exterior caulking should be applied to the unit both at the wall where the unit attaches and where the exterior facing or siding meets the unit.

Venting Components

NOTE: Mixing venting components from different manufacturers is inadvisable.

Description	ICC EXCELDirect®		Metal-Fab® Sure-Seal		Security Secure Vent™		Selkirk Direct-Temp™		DuraVent DirectVent Pro®	
	Galvanized	Black	Galvanized	Black	Galvanized	Black	Galvanized	Black	Galvanized	Black
6" Pipe Length	4DL6	4DL6B	4D6	4D6B	SV4L6	SV4LB6	4DT-06	4DT-06B	46DVA-06	46DVA-06B
9" Pipe Length	N/A	N/A	N/A	N/A	N/A	N/A	4DT-09	4DT-09B	46DVA-09	46DVA-09B
12" Pipe Length	4DL1	4DL1B	4D12	4D12B	SV4L12	SV4LB12	4DT-12	4DT-12B	46DVA-12	46DVA-12B
18" Pipe Length	N/A	N/A	4D18	4D18B	N/A	N/A	4DT-18	4DT-18B	46DVA-18	46DVA-18B
24" Pipe Length	4DL2	4DL2B	4D24	4D24B	SV4L24	SV4LB24	4DT-24	4DT-24B	46DVA-24	46DVA-24B
36" Pipe Length	4DL3	4DL3B	4D36	4D36B	SV4L36	SV4LB36	4DT-36	4DT-36B	46DVA-36	46DVA-36B
48" Pipe Length	4DL4	4DL4B	4D48	4D48B	SV4L48	SV4LB48	4DT-48	4DT-48B	46DVA-48	46DVA-48B
60" Pipe Length	N/A	N/A	N/A	N/A	N/A	N/A	N/A	N/A	46DVA-60	46DVA-60B
Adjustable Length (<12")	4DLT	4DLTB	4DAL	4DALB	SV4LA SV4LA12	SV4LBA SV4LBA12	4DT-AJ12	4DT-AJ12B	46DVA-08A	46DVA-08AB
Adjustable Length (>12")	N/A	N/A	N/A	N/A	SV4LA24	SV4LBA24	N/A	N/A	46DVA-16A	46DVA16AB
Telescopic Pipe	N/A	N/A	N/A	N/A	N/A	N/A	4DT-TL14 4DT-TL38	4DT-TL14B 4DT-TL38B	46DVA-17TA 46DVA-24TA	46DVA-17TAB 46DVA-24TAB
45° Elbow	4DE45	4DE45B	N/A	N/A	N/A	SV4EBR45	4DT-EL45	4DT-EL45B	46DVA-E45	46DVA-E45B
45° Elbow (Swivel)	N/A	N/A	4D45L	4D45LB	SV4E45	SV4EB45	N/A	N/A	N/A	N/A
90° Elbow	4DE90	4DE90B	N/A	N/A	N/A	SV4EBR90	4DT-EL90S	4DT-EL90SB	46DVA-E90	46DVA-E90B
90° Elbow (Swivel)	N/A	N/A	4D90L	4D90LB	SV4E90	SV4EB90	N/A	N/A	N/A	N/A

Figure 30: 4" x 6 5/8" Rigid Piping Cross Reference Chart.

Description	ICC EXCELDirect®	Metal-Fab® Sure-Seal	Security Secure Vent™	Selkirk Direct-Temp™	DuraVent DirectVent Pro®
Ceiling Support	4CS	4DSP	SV4SD	4DT-CS	46DVA-DC
Ceiling Support Box	4SS	4DRS	SV4CSB	4D5-CSS	46DVS-CS
Wall Support	4WS	4DWS	SV4BM	4DTWS/B	46DVA-WS
Offset Support	4OS	N/A	SV4SU	4DT-OS	46DVA-ES
Wall Thimble	4WT	4DWT	SV4RSM	4DT-WT	46DVA-WT
Firestop Spacer	4FS	4DFS	SV4BF	4DT-FS	46DVA-FS
Trim Plate	4TP	4DCP	SV4PF	4DT-TP	N/A
Attic Insulation Shield	4AS	N/A	SV4RSA	4DT-AIS	46DVA-IS
Storm Collar	4SC	4DSC	SV4FC	4DT-SC	46DVA-SC
Flat Roof Flashing	4F	N/A	SV4F	4DT-AF	46DVA-FF
Adjustable Flashing (0/12-6/12)	4FA	4DF	SV4FA	4DT-AF6	46DVA-F6
Adjustable Flashing (6/12-12/12)	4FB	4DF-12	SV4FB	4DT-AF12	46DVA-F12
Vinyl Siding Standoff	4VSS	4DVS	SV4VS	4DT-VS	46DVA-VSS
High Wind Vertical Cap	4VT	N/A	N/A	N/A	46DVA-VCH
High Wind Horizontal Cap	4DHT	N/A	N/A	N/A	46DVA-HSCH
Vertical Termination Cap	4VT	4DVT	SV4CGV	4DT-VT	46DVA-VC
Horizontal Termination Cap	4HT	4DHT	SV4CHC	4DT-HC	46DVA-HC
Snorkel Termination Cap	4ST14 4ST36	4DST14 4DST36	SV4STC14 SV4STC36	4DT-ST14 4DT-ST36	46DVA-SNK14 46DVA-SNK36
Horizontal Termination Kit	4HTK	4DHTKA 4DHTKB	SV0HK SV0HK2	4DT-HKA 4DT-HKB	46DVA-KHA 46DVA-KHC
Vertical Termination Kit	N/A	4DVTK	SV0FK SV0FAK/SV0FBK	4DT-VKC	N/A

Figure 31: 4" x 6 5/8" Rigid Pipe Components Cross Reference Chart.



This gas stove is certified for use with 4" x 6 5/8" coaxial venting components only. It is permitted to only use certified venting for this gas stove. See charts on page 21 for a list of approved venting components.



Figure 32: Co-axial venting components.

Trenton Gas Stove Rear Component

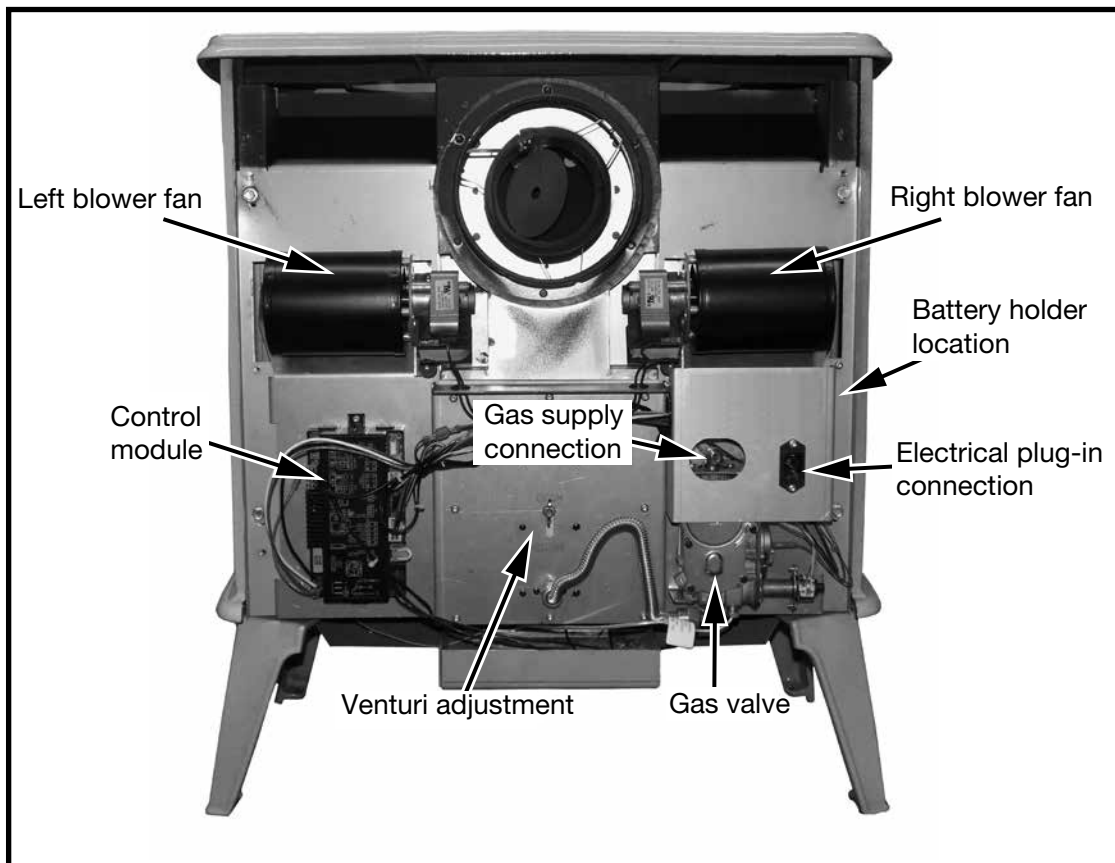


Figure 33: Trenton rear side components.

Gas and Electrical Connections

Note: Do not plug the power cord in until installation has been completed.

Note: Do not turn on the gas supply until installation has been completed.

Gas connection

To make the required electrical and gas connections, start by positioning the gas stove. Connect the gas supply line (not included) to the 3/8" flare fitting at the rear of the unit as seen in Figure 34. Please see the gas supply section on page 34 of the manual for requirement of the gas supply.

Electrical connection

An IEC power cord is provided for connection to a standard wall outlet.

Note: Gas connector is not included.

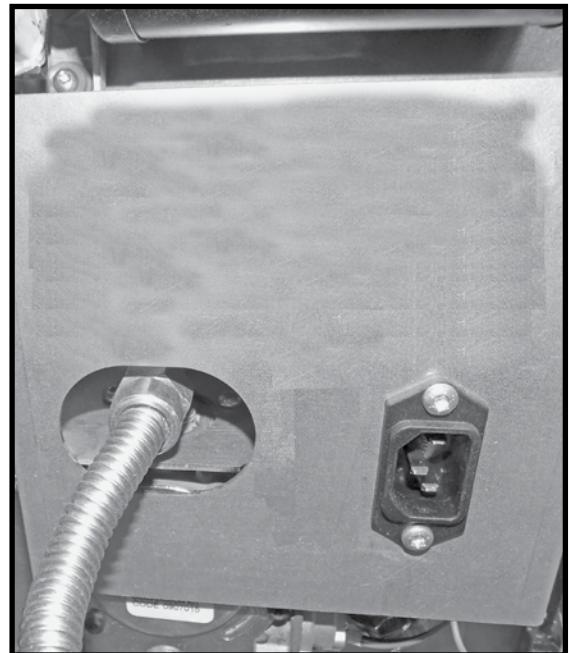


Figure 34: Trenton gas & electrical connections.

Packaging

The Trenton gas stove comes with the ceramic panels and gas burner already installed. The log set and glowing embers are packaged in protective styrofoam and secured in place by the glass door and screen. The glass door and screen must be removed before the log set and embers can be accessed.



Figure 35: Trenton gas stove with packaging.

Safety screen removal

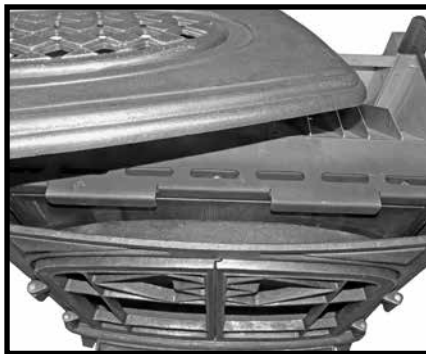


Figure 36: Trenton top cover.



Figure 37: Trenton cover plate.

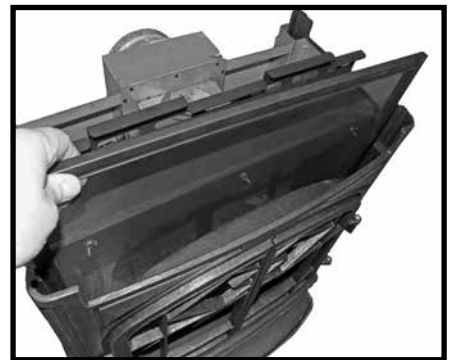


Figure 38: Trenton safety screen removal.

1. Remove the top cover as shown in Figure 36. Make sure that the latticed oval panel in the center of the top-cover does not slip off as it is not fastened to the larger cover.
2. Raise the glass door and safety screen cover (Figure 37) and lift the safety screen out.

Glass door removal

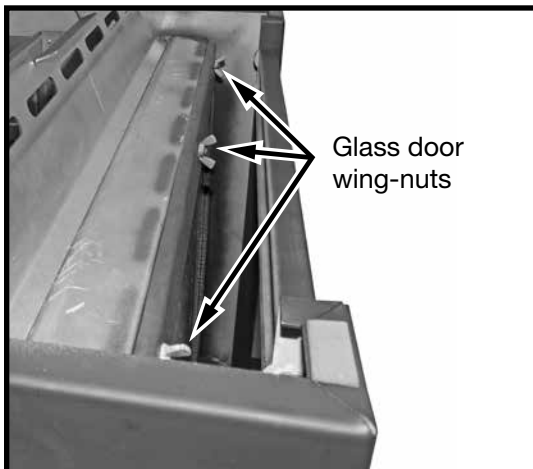


Figure 39: Glass door fasteners.

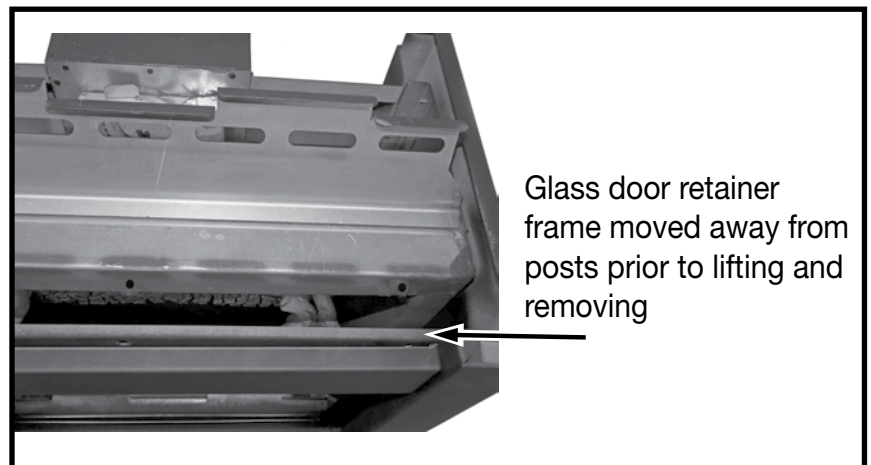


Figure 40: Trenton glass door frame.

1. Remove the safety screen.
2. Remove the wing nut bolts (Figure 39) securing the glass door retainer frame to the gas stove frame and tilt the glass door so that it can be removed (Figure 40).
3. Remove the glass door together with the retainer frame that it is affixed to.

Log set pieces



Figure 41: Number one log.



Figure 42: Log set package.

The large rear log (Figure 41) comes wrapped separately from the smaller logs. The logs will be assembled in a specific order along with the glowing embers, glass door and mesh screen.

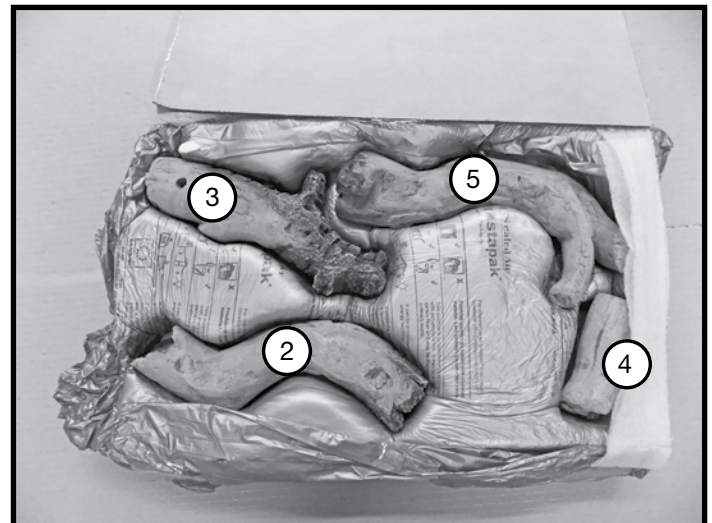


Figure 43: Smaller logs in styrofoam packaging.

Log Set Installation

Installation of log set

1. Fill burner tray (Figure 44) with embers so that the baskets are filled and overflowing the burners' front row (Figure 45). Reserve a small amount of embers for final placement.
2. Place first log onto the ledge in the firebox taking care that the log is completely set against the rear wall of the firebox (Figure 46).

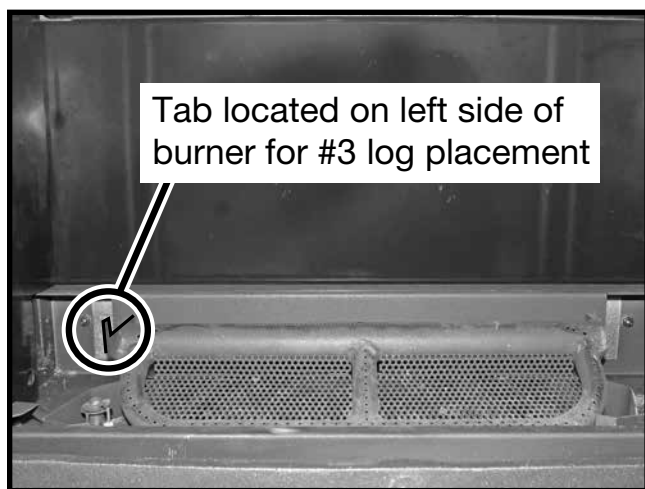


Figure 44: Log 3 positioning tab.



Figure 45: Burner tray with embers.



Figure 46: Number 1 log set in place.

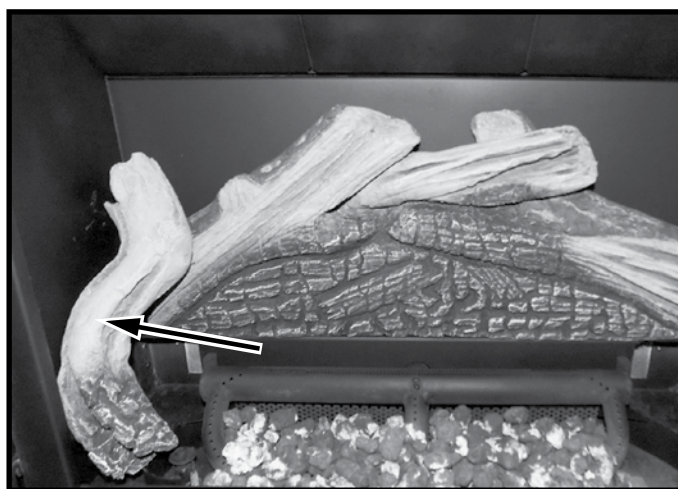
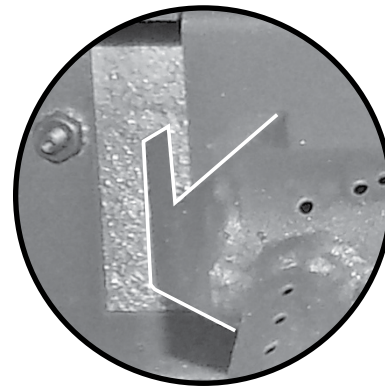


Figure 47: 2nd log placement.

3. Fit the hole in the back of the 2nd log (Figure 47) over the post located on the left hand side of the first log indicated by arrow (Figure 47). Once 2nd log is mounted to the first log, position the lower portion of 2nd log so that it is located close to the pilot without covering it, and as close to the front of the firebox without interfering with the glass door once installed.



Inset of tab.

Figure 48: 3rd log placement.

4. Position 3rd log as shown in Figure 48 making sure that the log does not cover the holes of the back row of the burner. The 3rd log has a hole in its underside which will fit onto a protruding tab on the burner (Inset of tab).
5. Place 4th log as shown in Figure 49. The black charcoal side of the piece must face inwards. This log will act as a support for the final log.



Figure 49: 4th log placement.



Figure 50: 5th log placement.

6. Place 5th log as shown in Figure 50 making sure that the log does not cover the holes of the back row of the burner.



Figure 51: Back row of burner.

Figure 51 shows the burners' back row as not being covered by the logs.

At this time, the small amount of embers reserved at the beginning of log placement can be used to fill any left over spaces.

NOTE: Although it is permissible to place a few embers between the back burner and the 3rd and 4th logs in order to hide the back burner, it must be noted that by doing this the airflow around the back burner will be impeded and a sooty flame may result.

Glass Door Installation

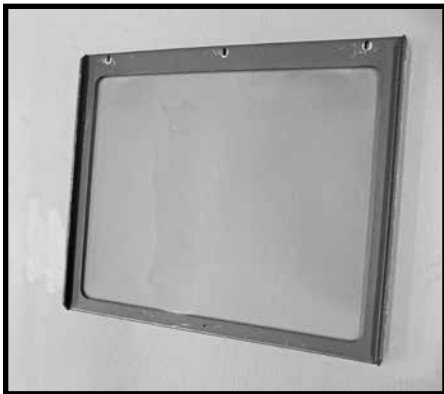


Figure 52: Glass door - front side.

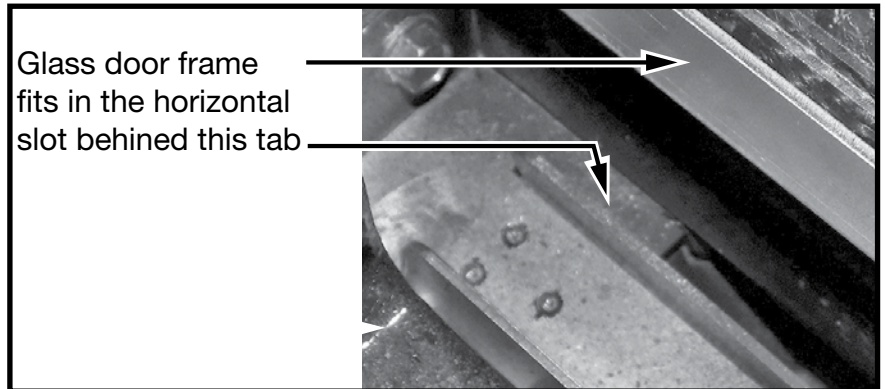


Figure 53: Glass door positioning.

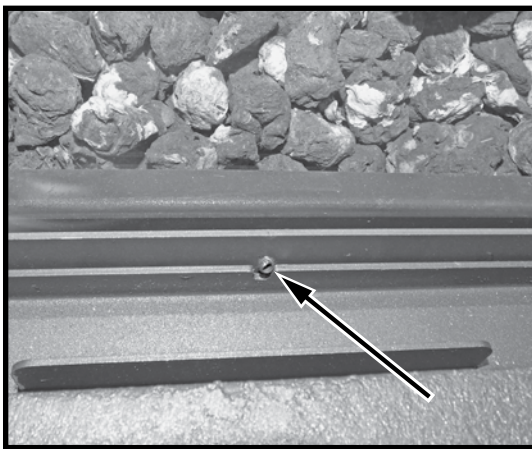


Figure 54: Glass panel position tab.

1. Lower the glass door frame into place (Figure 53) making sure that the frame fits into the horizontal slot on the floor of the firebox.
2. Align the glass door frame laterally so that its protruding positioning stud (Figure 54) fits into the slot in the firebox. This will line up the bolt slots at the top of the glass door frame to the firebox frame.
3. Insert and tighten the bolts to secure the glass door frame to the firebox.

CAUTION: Over-tightening the wing bolts could result in the glass door fracturing.

Safety Screen Installation

Safety screen installation

The screen mesh is positioned between the glass door and the doors. It's purpose is to provide protection from the heat radiating from the glass door. The screen has a front side and a rear side and must be oriented correctly for a proper fit.

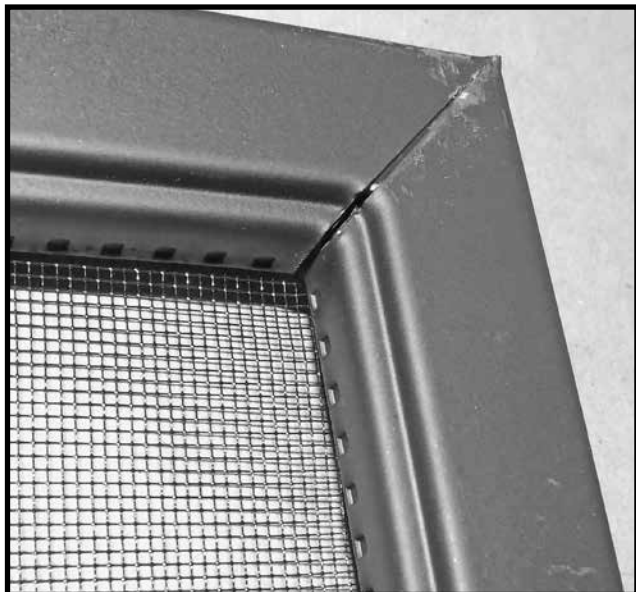


Figure 55: Rear side of safety screen.

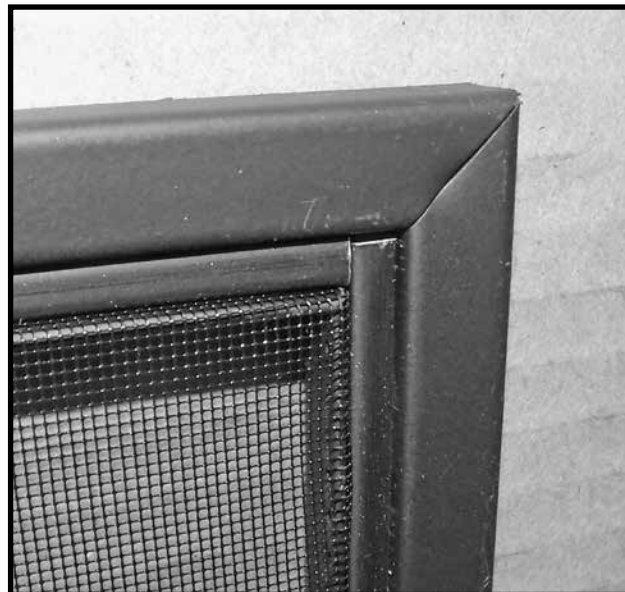


Figure 56: Front side of safety screen.

Figure 55 shows the rear side of the safety screen. This side must be facing toward the log set once it is in place. Figure 56 shows the front side of the safety screen. This side must be facing the doors once it is in place.

The safety screen frame is not square and so it is important that it be oriented the correct way before insertion. Figure 57 shows the safety screen resting at a point where it is higher than the firebox frame and glass door frame immediately to its right.

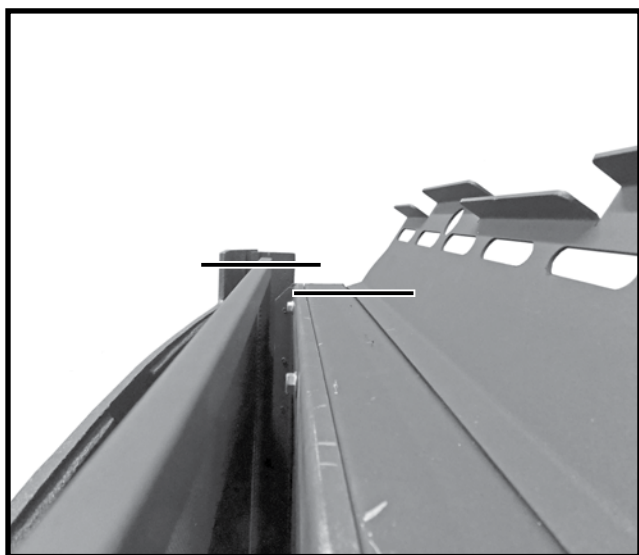


Figure 57: Improper seating of safety screen.

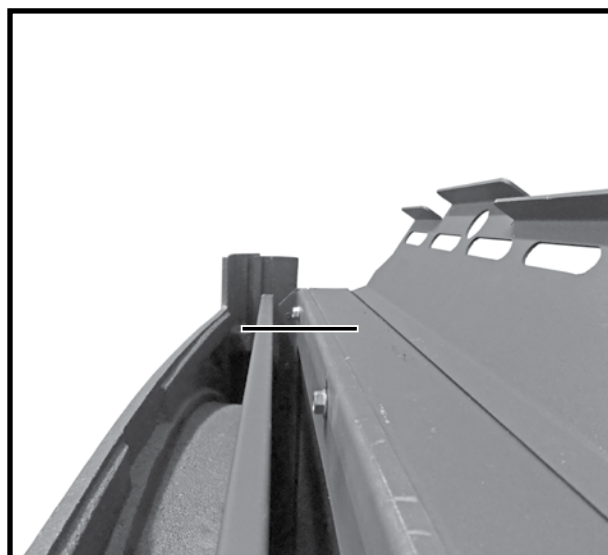


Figure 58: Proper seating of safety screen.

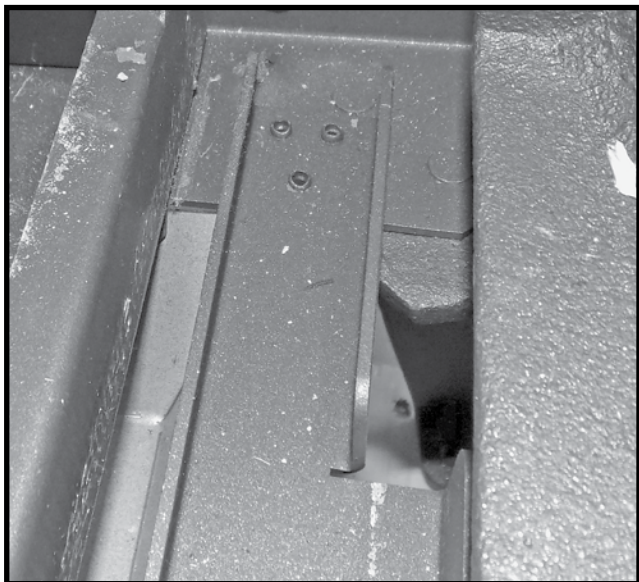


Figure 59: Screen mesh location channel.

The bottom edge of the screen mesh must fit firmly into the channel provided for it in the fire box frame. Figure 59 shows the location of the screen mesh channel.

The screen mesh top holder (Figure 60) positions the screen mesh so that there is the correct distance between the screen mesh and the glass door. The holder has channels which will secure the top of the screen mesh once the holder is lowered into position.

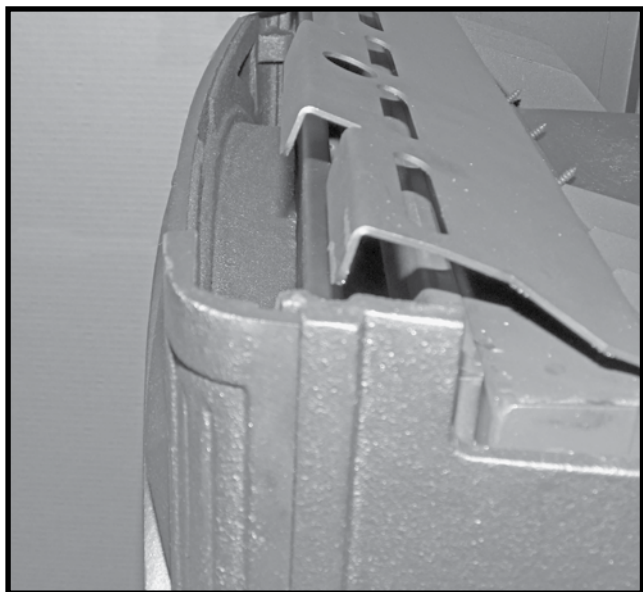


Figure 60: Screen mesh holder.

Figure 61 shows the screen mesh holder in place with the holder channel keeping the screen mesh in its proper position.

Note: it may be necessary to use a small amount of force to get the top of the screen mesh to fit into position of the screen mesh holder.

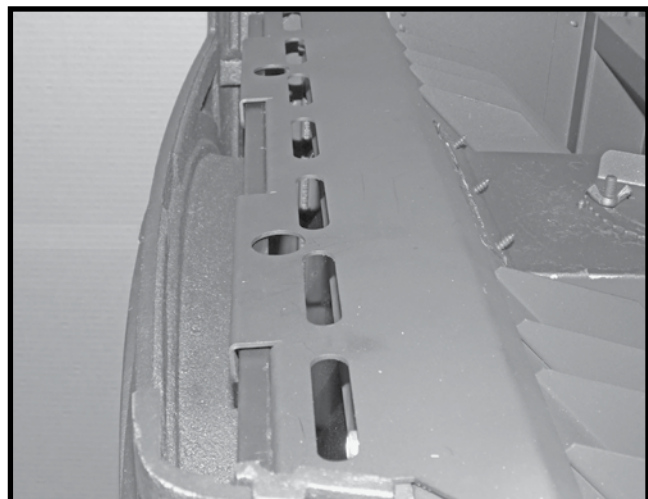


Figure 61: Screen holder in correct position.

Return the top cover to its proper place. Make sure that the latticed oval panel in the center of the top-cover does not slip off as it is not fastened to the larger panel.

Accent Lighting Glass Plates

The Trenton Gas Stove comes with an assortment of glass plates of various colours. Accent lighting is controlled via the remote control transmitter included with the Trenton Gas Stove Figure 1 on page 7. The glass plate tray is located underneath the Trenton (Figure 62) and is held in place by two wing nuts - one on each side of the tray.



Figure 62: Trenton glass plate tray location.

Changing the glass plate

1. The glass plate is easily installed from the front of the stove (Figure 63).
2. Slide a new glass plate into the holder located under the light tray.



Figure 63: Light tray access.

CAUTION: Let the glass plate cool before changing.

IFC Module

The Proflame 2 Integrated Fireplace Control (IFC) module is a device that allows automatic ignition and pilot flame supervision, and commands the functions of the hearth gas stove. It's configured to control the ON/OFF main burner operation, giving the choice of both IPI (intermittent pilot ignition), and CPI (continuous pilot ignition) modes. The Proflame 2 IFC module controls and connects directly to the pilot assembly and the automatic valve using low electric power.

The IFC module can be powered by both an AC power supply, and battery pack for back up. The Proflame 2 offers the added ability to control the comfort fan speed from OFF through six (6) speeds, a remotely actuated auxiliary outlet and a dimmable light outlet. The external batteries can provide DC power to the IFC allowing the batteries to be used only when line power is interrupted or lost.

Operating Procedure

Initializing the System for the first time

1. Install 4 AA batteries into the Trenton battery holder (Figure 64) located on the rear side of the Trenton. Make sure that the selection switch on the switch cover is on the "Remote" setting.
2. Install 3 AAA batteries into the Proflame2 Remote Transmitter (Figure 65).
3. Plug the Trenton power cord into a wall socket and open the gas supply line.
4. Insert a straightened paper clip into the opening marked "PRG" of the ON/OFF battery holder Figure 64 and press the program button once. The module, also located on the rear of the Trenton, will beep 3 times indicating that it is ready to synchronize with a remote transmitter.
5. On the Remote Transmitter, push the power on button once. The remote transmitter will beep 4 times to indicate that the remote transmitter and the control module are now synchronized. The remote transmitter is now ready to use.

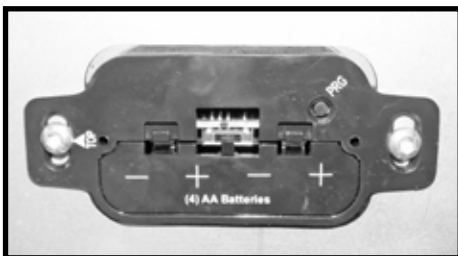


Figure 64: On - off switch located at rear of stove.



Figure 65: Remote control battery holder.

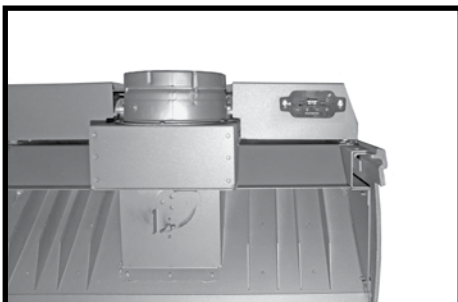


Figure 66: On-Off switch location.

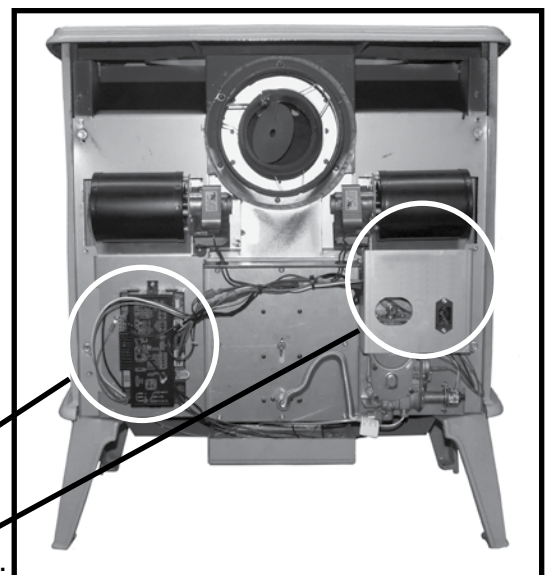


Figure 67: IFC module and ON - Off switch location.

Damper Adjustment

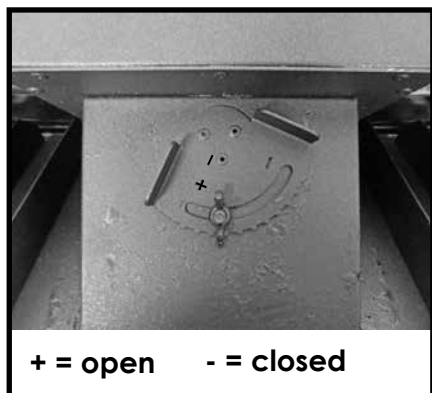


Figure 68: Trenton damper adjustment.

Damper Adjustment

Damper adjustment is located under the top cladding cover plate.

(Factory setting is closed; slowly open and adjust as necessary to eliminate a sagging, sooting flame).

Venturi Adjustment

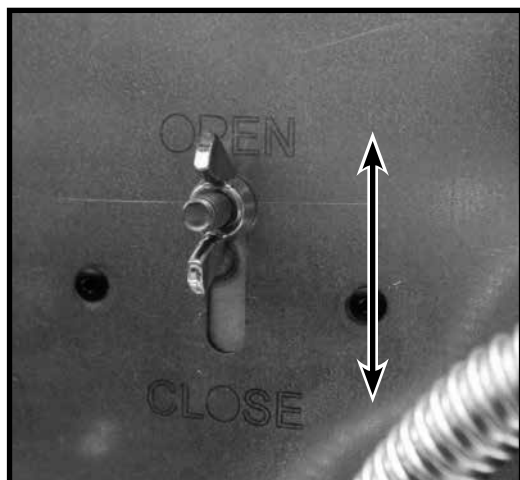


Figure 69: Venturi adjustment.

Venturi adjustment is accessible through an opening in the rear cover. See location on Figure 33 on page 22.

Some adjustment may be required

Adjustment

Loosen wing nut and move post up to open venturi, and down to close venturi. Tighten wing-nut once adjustment is complete.

Note: Venturi should be closed when using natural gas and open when using liquid propane.

Gas Supply

Servicing of the gas stove can be performed from the rear of the unit by removing the access panel from the unit.

Caution: The gas line should be installed by a qualified service person in accordance with all building codes. This section is intended as a guide for qualified technicians installing this gas stove. Consult local and/or national building codes before proceeding.

- Gas supply line connection is located on the rear of the gas stove. Gas connection accepts a 3/8" 45° flare fitting. Correct gas line diameter must be used to assure proper operation and pressure.
- The gas stove input rating is shown in the chart below.
- A drip leg must be installed in the gas supply line going to the gas control valve to minimize the possibility of any loose scale or dirt within the gas supply line from entering the control valve.
- It is essential that a union or flanged connection (not provided) be installed just upstream of the valve to allow for repair or replacement of the gas valve.

Check local codes for additional requirements.

Turn on the gas supply and check that all connections are tight and leak free.

Gas Pressure Check

Gas pressure requirements

<u>Input Pressure</u>	Natural Gas	Propane
Minimum	5.0" WC	12.5" WC
Maximum	13.9" WC	13.9" WC
 <u>Manifold Pressure</u>		
High	3.8" WC	11" WC
Low	1.1" WC	2.9" WC

Trenton

<u>Gas</u>	<u>Orifice</u>	<u>Output</u>	<u>AFUE</u>
NG	marked "EA"	24,000 btu/hr	73.0%
LP	marked "EB"	24,000 btu/hr	73.0%

Gas Pressure Testing Procedure

Note: To test the gas pressure, turn off the gas supply to the gas stove before loosening test point screws. Verify gas pressures with the gas stove lit and at the highest setting.

1. Remove back panel and locate the valve as seen in Figure 71.
2. Locate the inlet and outlet test points on the valve Figure 72. After locating test ports loosen the screws within the ports using a flat-tip screwdriver.
3. Attach pressure gauge to the test ports.
4. Turn gas supply back on and verify gas pressure with the gas stove lit and on its highest setting.
5. After testing is finished turn off gas supply, remove the pressure gauges and re-tighten the screws in the test points.

Pilot Flame Adjustment



Figure 70: Trenton pilot assembly.

The pilot flame level can be adjusted by turning the adjustment screw, using a flat-tip screwdriver, as seen on the valve in Figure 72.

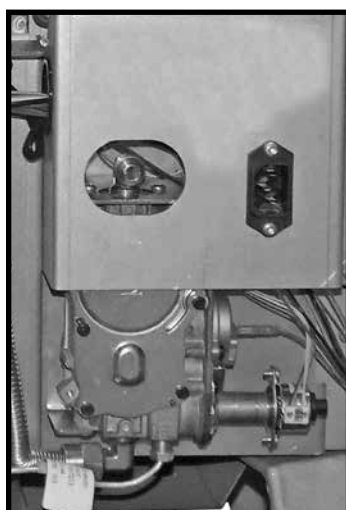


Figure 71: Control valve location.

Pressure modulator device

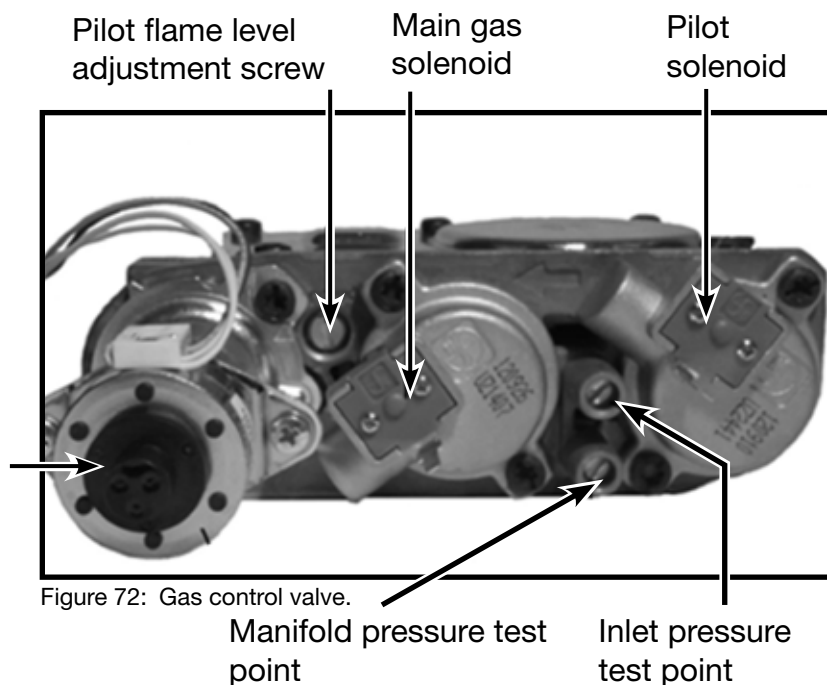


Figure 72: Gas control valve.

Propane Conversion

Before starting the conversion make sure to shut off the gas supply to the unit and allow gas stove to cool to room temperature.

To convert the gas stove from natural gas to propane, a conversion kit is required. This kit comes with new pilot and burner orifices as well as a new pressure modulator for the valve.

To switch the pressure modulator, follow the instructions that are provided with the conversion kit.

To change the orifices you are required to remove the mesh and glass doors, log-set, embers and burner. Please refer to the appropriate sections of this manual and follow instructions on how to correctly remove these components.

After removing the components listed in the above paragraph, you will have access to the burner orifice located at the lower inside rear of the firebox. The orifice can be removed using a 1/2" socket. Before installing the new orifice, Loctite 567 Thread Sealant needs to be applied to the threads of the new orifice to ensure a proper seal when installed.

To replace the pilot orifice remove the pilot hood which is held in place by a spring. First remove the spring, and then remove the hood by pulling it up from the pilot bracket Figure 74. To remove the existing orifice insert a 5/32" or 4mm Allen wrench into the hexagonal key-way of the orifice and rotate counter-clockwise until free. Insert the new orifice using the same Allen wrench and tighten it until a torque of 9 lbf in (1 Nm) is achieved. Replace the pilot hood by aligning the tab on the base of the hood with the slot in the side of the pilot journal, and push the hood down onto the pilot bracket. Replace the spring by pushing it onto its seat.

To complete the conversion, the venturi shutter will have to be adjusted to the correct opening. Please refer to Figure 69 on page 33 for correct adjustment of venturi.



Figure 73: Trenton pilot.

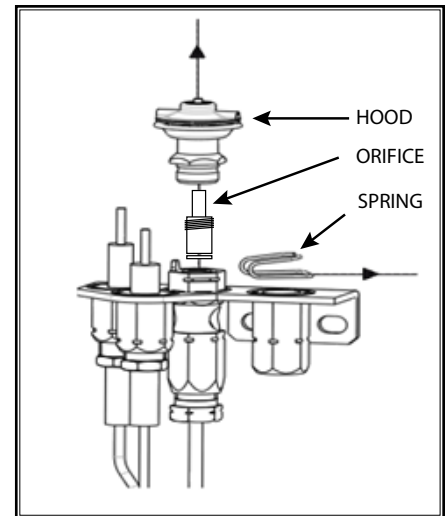


Figure 74: Pilot hood and orifice.

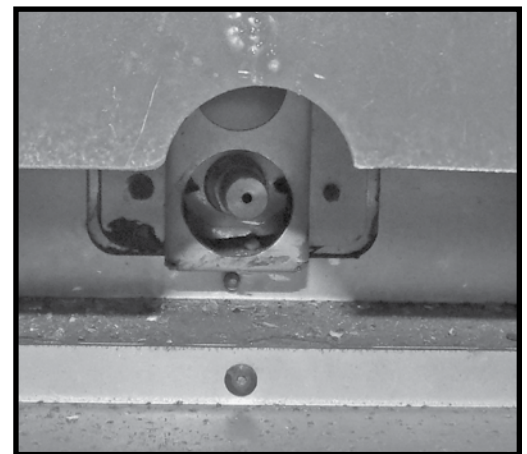


Figure 75: Orifice from inside the firebox.

Parts Diagram

TRENTON SALES CODES

DESCRIPTION	SALES CODE
Trenton unit complete	
Metalic Black	12020003
Antique White	12020001
Majolica Brown	12020002

Optional

Trenton LP Conversion Kit	12180005
Direct Vent Terminal "Snorkel"	11270002

Replacement

Trenton Door with glass	80000624
Trenton Screen	80000628
Trenton Control Tray Complete	80000608
Trenton Panel Set Painted	80001867
Trenton Burner	80002056
Trenton Log Set with Embers	80000627
Trenton Blower Right	80000905
Trenton Blower Left	80000904
Trenton Light Housing with Bulb	80000626
Trenton Decorative Tinted Glass Kit	80000623
SIT Remote Transmitter	80000191
SIT Pilot Assembly	80000193

Replacement Cast Iron Painted

Kit	80002066
(Top)	
(Side L) (Side R)	
(Top Grill)	
(Ashlip)	
(Legs - Set)	

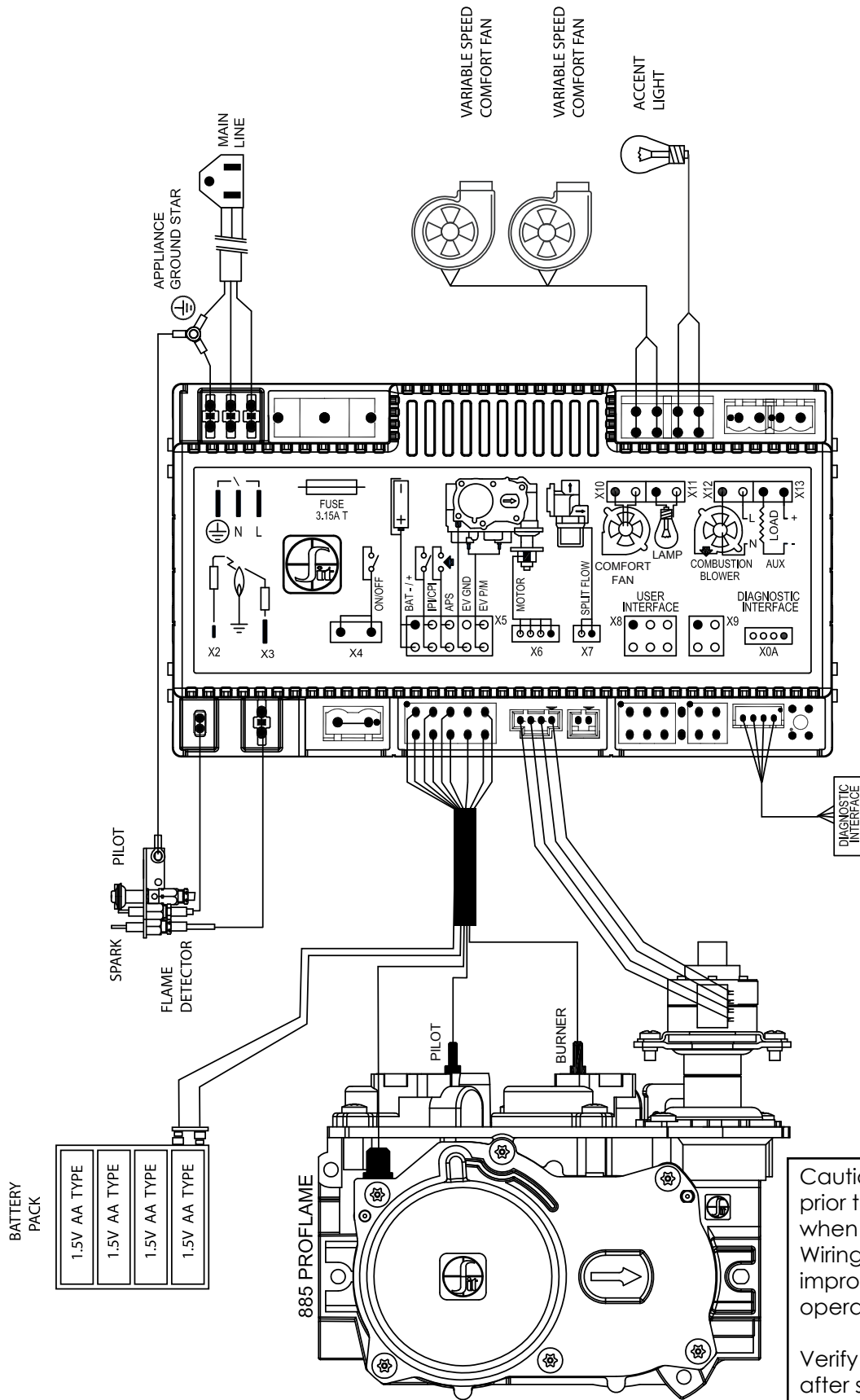
Replacement Cast Iron Antique White

Kit	80002063
(Top) (Front)	
(Side L) (Side R)	
(Door L) (Door R)	
(Ashlip)	
(Legs - Set)	

Replacement Cast Iron Maj Brown

Kit	80002064
(Top) (Front)	
(Side L) (Side R)	
(Door L) (Door R)	
(Ashlip)	
(Legs - Set)	

Wiring Diagram



Caution: Label all wires prior to disconnection when servicing controls. Wiring errors can cause improper and dangerous operation.

Verify proper operation after servicing.

Rating Label

The Rating label - as shown - is located on the rear of the gas stove.



MODEL/
MODELE: **Trenton**

SERIES/
SERIE: **A**

MADE IN CANADA
FABRIQUE AU CANADA

VENTED GAS FIREPLACE - NOT FOR USE WITH SOLID FUEL
FOYER AU GAZ À ÉVACUATION - NE PAS UTILISER AVEC DU
COMBUSTIBLE SOLIDE

ANSI Z21.88-2014 / CSA 2.33-2014 Vented Gas Fireplaces
CAN/CGA 2.17-M91 Gas-Fired Appliance For Use At High Altitudes.

Certified for / Certifié pour Canada and U.S.A.

This appliance is equipped for use with natural gas.
Cet appareil est équipé pour une utilisation avec
du gaz naturel.

FOR USE WITH/ EN CASE D'EMPLOI AVEC:	NATURAL GAS/ DU GAZ NATUREL	LP GAS/ DU GAZ LP
Minimum supply pressure / Pression minimum d'alimentation: <small>(For the purpose of input adjustment / dans le but de régler l'alimentation)</small>	5.0 in/wc / 5.0 po/c.e. (1.25 kPa)	12.5 in/wc / 12.5 po/c.e. (3.11 kPa)
Maximum supply pressure / Pression maximum d'alimentation:	13.9 in/wc / 13.9 po/c.e. (3.45 kPa)	13.9 in/wc / 13.9 po/c.e. (3.45 kPa)
Manifold pressure / Pression de la tuyauterie: Maximum	3.8 in/wc / 3.8 po/c.e. (0.95 kPa)	11.0 in/wc / 11.0 po/c.e. (2.74 kPa)
Orifice Size / Diametre de l'injecteur:	(2.26 mm)	(1.40 mm)
Input BTU/hr (kW) / Entree BTU/h (kW):	Max.: 24,000 (7.03) Min.: 13,500 (3.95)	Max.: 24,000 (7.03) Min.: 12,000 (5.51)

Blower electrical rating: 115v, 60hz, 1.1A / Normes electriques du ventilateur: 115v, 60hz, 1.1A
This appliance equipped for altitudes 0 - 4500 ft. (0 - 1372 m) / Cet unité est conçu pour des altitudes variant entre 0 - 4500 pieds (0 - 1372 m). In Canada, also certified for installation in a bedroom or a bedsitting room / Aussi certifié pour installation dans une chambre à coucher ou une salle de séjour. This appliance must be installed in accordance with local codes, if any; if none, follow the current CAN/CGA-B149 (Canada), or ANSI Z223.1 (USA) Installation Codes. Installer l'appareil selon les codes ou règlements locaux, ou, en l'absence de tels règlements, selon les codes d'installation CAN/CGA-B149 (Canada), or ANSI Z223.1 (USA) en vigueur.

MANUFACTURED (MOBILE) HOME: This appliance is only for use with the type of gas indicated on the rating plate and may be installed in an aftermarket, permanently located, manufactured (mobile) home where not prohibited by local codes. See owners manual for details.
FABRIQUEZ (MOBILE) MAISON: Cet appareil doit être utilisé uniquement avec le type de gaz indiqué sur la plaque signalétique et peut être installé dans une maison préfabriquée (mobile) installée à demeure si les règlements locaux le permettent. Voir la notice du propriétaire pour plus de détails. Cet appareil ne peut être converti à d'autres gaz sauf si une trousse de conversion certifiée est utilisée.

Install in accordance with the current standard Mobile Homes, CAN/CSA Z240 MH (in CANADA), and the Manufacturer's Home Construction and Safety Standard, Title 24 CFR, Part 3280, or the current Standard for Fire Safety Criteria for Manufactured Home Installations, Sites, and Communities ANSI/NFPA 501A, (in the U.S.A.). Cet appareil doit être installé conformément aux exigences de la norme CAN/CSA Z240 MH en vigueur de l'ACNOR, Installations de gaz dans les Constructions Mobiles.

FOR USE WITH THE GLASS AND SCREEN BARRIER CERTIFIED WITH THE APPLIANCE ONLY / POUR UTILISATION UNIQUEMENT AVEC LES PORTES IN VERRE CERTIFIÉES AVEC L'APPAREIL

MINIMUM CLEARANCES TO COMBUSTIBLES / CLAIRANCES MINIMALES AVEC LES COMBUSTIBLE
Left and Right side are determined when facing the front of the appliance. / Les côtés droit et gauche se déterminent en se mettant devant l'appareil et en lui faisant face.

For installation as free standing appliance only / Pour l'installation comme appareil autonome seulement	4 in./ 4 po.	(102 mm)
Sidewall / Back wall to Appliance / Du mur latéral a l'appareil	18 in./ 18 po.	(457 mm)
Ceiling to Appliance / Plafond a l'appareil	1.0 in./ 1.0 po.	(25 mm)
Vent Pipe / Déchargez le Tuyau		

*See Installation Manual for more detail / Voyez des Directive de l'Installation pour plus détails.

Pacific Energy
Fireplace Products Ltd.
Duncan, British Columbia,
Canada

P.4.1-15 Efficiency: 34.5%

Date of Manufacture

WARNING: Improper installation, adjustment, alteration, service or maintenance can cause injury or property damage. Refer to the owner's information manual provided with this appliance. For assistance or additional information, consult a qualified installer, service agency or the gas supplier.

AVERTISSEMENT: Une installation, un réglage, une modification, une réparation ou un entretien mal effectué peut causer des dommages matériels ou des blessures. Voir la notice de l'utilisateur qui accompagne l'appareil. Pour de l'aide ou des renseignements supplémentaires, consultez un installateur, un technicien agréé ou le fournisseur de gaz.

210519

5050.55-50

Trenton



©2023 Copyright Pacific Energy Fireplace Products LTD

Reproduction, adaptation, or translation
without prior written permission is prohibited,
except as allowed under the copyright laws.



For technical support, please contact your retailer

**Web site: www.pacificenergy.net
2975 Allenby Rd., Duncan, BC V9I 6V8**

Printed in Canada