



MIRAGE

FREESTANDING GAS STOVES

FOR HEATING SMALL TO LARGE SPACES



MIRAGE 18
MIRAGE 30



MIRAGE



Mirage 30 – Titanium Porcelain

SAFETY

When designing any heat source, safety is always at the forefront. At Pacific Energy, we believe that with today's advanced technologies and materials, there's no need to compromise aesthetics for safety. That is why we've developed an integrated micro-mesh screen that creates a virtually invisible safety barrier, allowing a clear, unobstructed view of the flame as a standard feature for each model – we would show you, but even the camera can't see it!

EFFICIENCY

Behind the legendary performance of Pacific Energy fireplaces lies craftsmanship, experience and next generation technology. With the Mirage 18 and Mirage 30, temperature output and flame are variable to allow complete control of comfort and appearance.



Simple touch operation and temperature management.

Each Pacific Energy Gas Fireplace comes standard with an advanced comfort remote control. Using Smart thermostat, your fire-place can automatically modulate flame height to optimize temperature management and room ambiance.

The Mirage represents the leading edge of freestanding design for smaller to larger spaces. Available in two sizes, the Mirage is beautifully clad with lustrous porcelain enamel offered in a pallet of four solid colours: red, ivory, black and titanium. Inside each Mirage is a powerful engine; large formed aluminum-finned heat exchangers result in high performance heating efficiency while highly reflective titanium porcelain baffles and insulated interior firebox panels maximize temperature convection. One-touch programmable remote controls simplify operation, heat output and flame height are variable allowing complete control over heating, comfort, and appearance.

DESIGN-A-FIRE

A SYSTEM BY PACIFIC ENERGY

WHAT IS DESIGN-A-FIRE?

It's choice. It's a selection of interchangeable components that allow you to customize your fireplace experience and create the exact combination of color, finish, and detail to perfectly enhance your home.

SIZE OPTIONS



MIRAGE 18 FOR SMALL TO MEDIUM ROOMS

NG	18,000 BTU/hr
P.4.1	70.4%
LP	18,000 BTU/hr
P.4.1	72.4%
AFUE	72%
Glass Size	180 sq.in.



MIRAGE 30 FOR MEDIUM TO LARGE ROOMS

NG	30,000 BTU/hr
P.4.1	69.8%
LP	26,000 BTU/hr
P.4.1	71%
AFUE	75%
Glass Size	275 sq.in.

BURNER OPTIONS



Glass Burner



Desert



Pacific



Twilight



Black



Logset

STANDARD FEATURES

- Direct Vent Technology
- SIT Pro Flame 2 valve
- Full Flames
- Ground Level Heat Output
- High-Efficiency Heat Exchanger with Aluminum Fins
- Black Porcelain interior panels
- 110 CFM Blower
- Integrated Micro-Mesh Safety Screen
- Standard Remote Control
- Minimal Vertical Venting
- Leveling Legs

DESIGN-A-FIRE OPTIONS

- Porcelain Steel Cladding in 4 colour options
- Burner: Logset or Glass

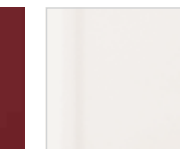
CLADDING OPTIONS



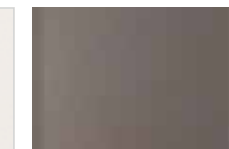
Black Porcelain



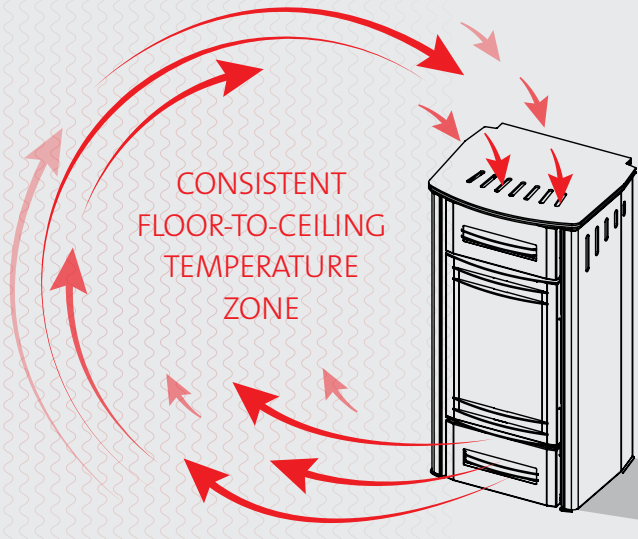
Red Porcelain



Ivory Porcelain



Titanium Porcelain



 **DESIGN**

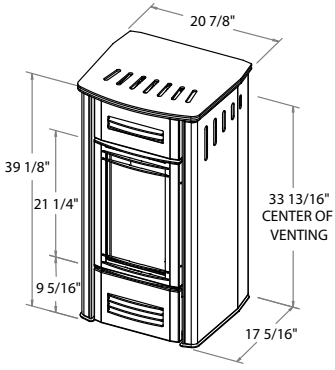
ABSOLUTE COMFORT WITH FLOOR-LEVEL HEAT OUTPUT

We all know hot air rises; so it makes sense to force hot air from the bottom rather than the top like conventional systems do. Thanks to the Mirage's unique floor-level heat output system, you can maintain an ideal temperature from floor to ceiling.

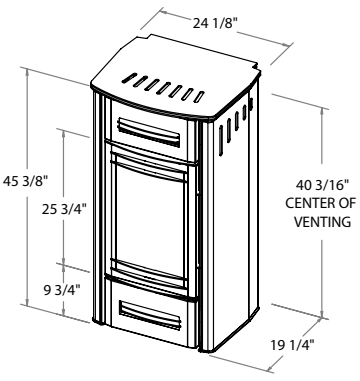
Find the size that is right for your home and define heating your living space with easy-to-use, high-efficiency, contemporary elegance.

UNIT DIMENSIONS

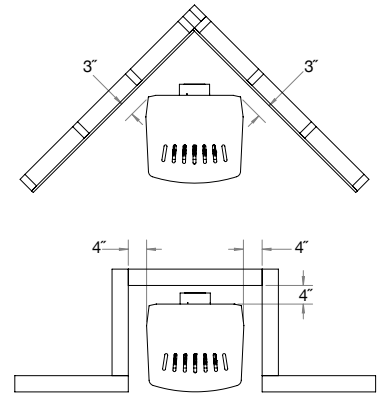
MIRAGE 18



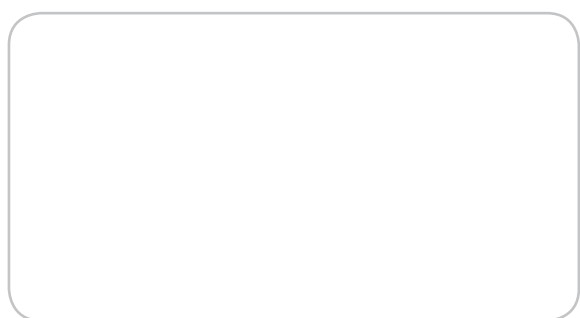
MIRAGE 30



CLEARANCE TO COMBUSTIBLES



For reference only. Installations should be based on manuals and rating labels. Specifications subject to change. Installation Manuals are available online. Visit www.pacificenergy.net.



 **DESIGN-A-FIRE**
A SYSTEM BY PACIFIC ENERGY

 **DESIGN**

 **EFFICIENCY**

 **SAFETY**

PACIFIC ENERGY
pacificenergy.net