

GAS INSERT

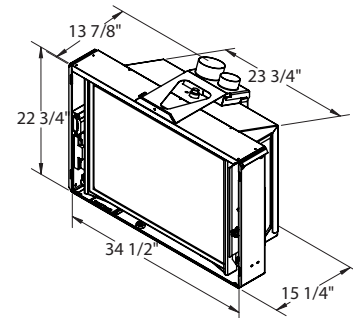
# TOFINO *i40M*



Shown with: Modern Black Front, Split Log Burner Media, Ledgestone Panels

BTU Input NG	40,000
BTU Input LP	35,000
P.4 Efficiency NG	74.4%
P.4 Efficiency LP	73.9%

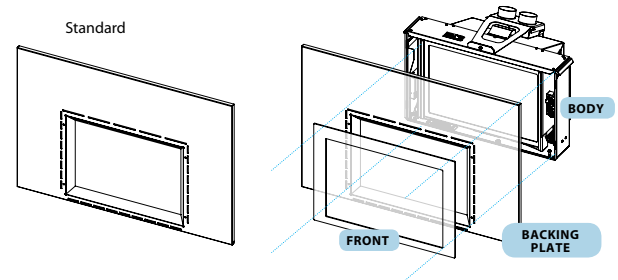
## Unit Dimensions



## Standard Features

- Maxitrol GV60 Valve system
- Radiant Heat
- Low Battery Consumption
- Remote Control or Manual Operation
- Integrated Stainless Steel Micro-Mesh Safety Screen
- Burner Base (Burner Media package sold separately)
- Design-A-Fire Interior Options
- No-Tool Decorative Front Installation
- Multiple Decorative Front Options
- Integrated Leveling System
- Easy Venturi and Flue Damper Adjustment
- Easy Access to Module, valve, and gas shut off
- Centered side-by-side venting, 3x4 collinear
- NG or LP Dedicated Units

## Backing Plates



Regular 28" x 42"  
Oversize 31" x 44"

For reference only. Installations should be based on manuals and rating labels. Specifications subject to change.

### BURNER MEDIA



Split Log



Black Glass



Twilight Glass

### FIREBOX PANELS



Ledgestone



Red Brick



Grey Fluted



Black Porcelain

### DECORATIVE FRONTS



Artisan Black



Artisan Brushed Nickel



Modern Black



Modern Brushed Nickel

